



SCUOLA INTERNAZIONALE SUPERIORE DI STUDI AVANZATI

SISSA Digital Library

The Kontsevich–Penner Matrix Integral, Isomonodromic Tau Functions and Open Intersection Numbers.

*Original*

The Kontsevich–Penner Matrix Integral, Isomonodromic Tau Functions and Open Intersection Numbers / Bertola, Marco; Ruzza, Giulio. - In: ANNALES HENRI POINCARÉ'. - ISSN 1424-0637. - 20:2(2019), pp. 393-443. [10.1007/s00023-018-0737-8]

*Availability:*

This version is available at: 20.500.11767/87736 since: 2019-03-08T18:03:23Z

*Publisher:*

*Published*

DOI:10.1007/s00023-018-0737-8

*Terms of use:*

Testo definito dall'ateneo relativo alle clausole di concessione d'uso

*Publisher copyright*  
Springer

This version is available for education and non-commercial purposes.

note finali coverpage

(Article begins on next page)

# The Kontsevich–Penner matrix integral, isomonodromic tau functions and open intersection numbers

M. Bertola<sup>†‡♣1</sup>, G. Ruzza<sup>‡ 2</sup>.

<sup>†</sup> *Department of Mathematics and Statistics, Concordia University  
1455 de Maisonneuve W., Montréal, Québec, Canada H3G 1M8*

<sup>‡</sup> *SISSA, International School for Advanced Studies, via Bonomea 265, Trieste,  
Italy*

<sup>♣</sup> *Centre de recherches mathématiques, Université de Montréal  
C. P. 6128, succ. centre ville, Montréal, Québec, Canada H3C 3J7*

## Abstract

We identify the Kontsevich–Penner matrix integral, for finite size  $n$ , with the isomonodromic tau function of a  $3 \times 3$  rational connection on the Riemann sphere with  $n$  Fuchsian singularities placed in correspondence with the eigenvalues of the external field of the matrix integral. By formulating the isomonodromic system in terms of an appropriate Riemann–Hilbert boundary value problem, we can pass to the limit  $n \rightarrow \infty$  (at a formal level) and identify an isomonodromic system in terms of the Miwa variables, which play the role of times of a KP hierarchy. This allows to derive the String and Dilaton equations via a purely Riemann–Hilbert approach.

The expression of the formal limit of the partition function as an isomonodromic tau function allows us to derive explicit closed formulæ for the correlators of this matrix model in terms of the solution of the Riemann Hilbert problem with all times set to zero. These correlators have been conjectured to describe the intersection numbers for Riemann surfaces with boundaries, or *open intersection numbers*.

## Contents

<b>1</b>	<b>Introduction and results</b>	<b>2</b>
1.1	The Kontsevich–Penner matrix integral and open intersection numbers . . . . .	2
1.2	Dressing, Schlesinger transformations and the isomonodromic tau function . . . . .	5
1.3	The limiting isomonodromic system . . . . .	7

---

<sup>1</sup>Marco.Bertola@{concordia.ca, sissa.it}

<sup>2</sup>giulio.ruzza@sissa.it

<b>2</b>	<b>The Kontsevich–Penner integral as isomonodromic tau function</b>	<b>10</b>
2.1	Stokes phenomenon for the bare system . . . . .	12
2.2	Extension of the Kontsevich–Penner matrix integral . . . . .	14
2.3	Dressed Riemann–Hilbert problem . . . . .	15
2.4	Proof of Theorem 1.5 . . . . .	16
2.4.1	The Malgrange differential and the tau function . . . . .	16
2.4.2	The Schlesinger transform and the characteristic matrix . . . . .	17
2.4.3	Conclusion of the proof . . . . .	22
<b>3</b>	<b>The limiting isomonodromic system</b>	<b>24</b>
3.1	The limiting isomonodromic system, and the limiting tau function . . . . .	24
3.2	Correlations functions: proof of Theorem 1.6 . . . . .	28
3.2.1	One–point function: proof of (1.26) . . . . .	29
3.2.2	Two–point function . . . . .	31
3.2.3	n–point functions . . . . .	32
3.3	The String and Dilaton equations: proof of Proposition 1.8 . . . . .	33
<b>A</b>	<b>Asymptotics</b>	<b>35</b>
<b>B</b>	<b>Proof of Proposition 2.24</b>	<b>36</b>
<b>C</b>	<b>Table of open intersection numbers</b>	<b>41</b>

# 1 Introduction and results

## 1.1 The Kontsevich–Penner matrix integral and open intersection numbers

The *Kontsevich–Penner matrix integral* is expressed as

$$\mathcal{Z}_n(Y; N) := \frac{\det(iY)^N}{\int_{H_n} dM \exp \operatorname{Tr}(-YM^2)} \int_{H_n} dM \frac{\exp \operatorname{Tr} \left( \frac{i}{3} M^3 - YM^2 \right)}{\det(M + iY)^N}. \quad (1.1)$$

Here  $H_n$  is the space of  $n \times n$  hermitian matrices,  $N$  is a nonnegative integer in our applications but could be taken as arbitrary integer or even real parameter. The matrix  $Y = \operatorname{diag}(y_1, \dots, y_n)$  is a diagonal matrix satisfying  $\operatorname{Re} y_j > 0$  so that the integrals in (1.1) converge absolutely.

This matrix integral belongs to the family of the *generalized Kontsevich models* [KMM<sup>+</sup>92]; the choice of the potential as in (1.1) [Kon92, Pen88] has recently attracted some interest [Ale15b, Ale15a, BH15] as it is conjectured [ABT17] that the correlators of the model described by (1.1) provide *open intersection numbers*.

The matrix integral  $\mathcal{Z}_n(Y; N)$  admits a regular asymptotic expansion as  $y_j \rightarrow \infty^3$  within the sector  $\operatorname{Re} y_j > 0$ , (see Paragraph 2). There exists a formal power series  $\mathcal{Z}(\mathbf{T}; N)$  in an infinite set of times

<sup>3</sup>By a regular asymptotic expansion as  $y_j \rightarrow \infty$  we mean an asymptotic expansion involving negative integer powers of  $y_j$  only and no exponential term.

$\mathbf{T} = (T_1, T_2, \dots)$  uniquely determined by

$$\log \mathcal{Z}_n(Y; N) \sim \log \mathcal{Z}(\mathbf{T}; N), \quad T_k = \begin{cases} \frac{1}{k} \text{Tr} (Y^{-k}) & k = 1, \dots, n \\ 0 & k \geq n + 1 \end{cases} \quad (1.2)$$

as  $n \rightarrow \infty$ . The asymptotic equality (1.2) should be understood as follows; the left hand side admits a (formal) Taylor expansion in the *Miwa variables*  $T_1, \dots, T_n$  (i.e. regular asymptotic expansion in the symmetric polynomials of  $y_j^{-1}$ ); the coefficients of this expansion depend on  $n$  but they *stabilize* as  $n \rightarrow \infty$ . Namely, each Taylor coefficient depends only on a finite number of  $T_j$ 's and as soon as  $n$  is sufficiently large, the coefficient becomes independent on  $n$ ; this is a general feature of generalized Kontsevich models [KMM<sup>+</sup>92].

Consider now the rescaled times  $\mathbf{t} = (t_1, t_2, \dots)$  defined by<sup>4</sup>

$$t_k := (-1)^k k!! 2^{-\frac{k}{2}} T_k \quad (1.3)$$

where we have used the double factorial  $k!! := \prod_{j=0}^{\lfloor \frac{k-1}{2} \rfloor} (k-2j)$  for any nonnegative integer  $k$ .

**Conjecture 1.1.** [ABT17] *The coefficients of the formal power series  $\log \mathcal{Z}(\mathbf{t}; N)$  are the open intersection numbers.*

The open intersection numbers [PST14, Tes15, Bur16, BT17] are a generalization of the closed intersection numbers. The latter were introduced by Witten [Wit91];

$$\langle \tau_{r_1} \cdots \tau_{r_n} \rangle_c := \int_{\overline{\mathcal{M}}_{h,n}} \psi_1^{r_1} \wedge \cdots \wedge \psi_n^{r_n} \quad (1.4)$$

where  $c$  stands for *closed*,  $r_i \in \mathbb{Z}_{\geq 0}$ ,  $\overline{\mathcal{M}}_{h,n}$  is the moduli space of stable Riemann surfaces of genus  $h$  with  $n$  marked points and  $\psi_i \in H^2(\overline{\mathcal{M}}_{h,n}, \mathbb{Q})$  are tautological classes. The genus  $h$  is read off the dimensional constraint  $\sum_{i=1}^n r_i = \dim_{\mathbb{C}} \overline{\mathcal{M}}_{h,n} = 3h - 3 + n$ . In order to prove the Witten Conjecture [Wit91], Kontsevich showed [Kon92] that

$$\langle \tau_{r_1} \cdots \tau_{r_n} \rangle_c = \frac{\partial^n}{\partial t_{2r_1+1} \cdots \partial t_{2r_n+1}} \log \mathcal{Z}(\mathbf{t}; N = 0) \Big|_{\mathbf{t}=0}. \quad (1.5)$$

The generalization consists in considering moduli spaces of *open* Riemann surfaces, i.e. Riemann surfaces with boundary, with  $n$  marked points which may belong to the boundary. The open intersection numbers  $\left\langle \tau_{\frac{d_1}{2}} \cdots \tau_{\frac{d_n}{2}} \right\rangle_o$  are polynomials in  $N$ , defined in terms of a combinatorial formula [Tes15]. Here  $o$  stands for *open*,  $d_i \in \mathbb{Z}_{\geq 0}$ , the even  $d_i$ 's label the interior marked points and the odd  $d_i$ 's label the boundary marked points. The dimensional constraint now reads as  $\sum_{i=1}^n d_i = 3g - 3 + 2n$  where  $g := 2h + b - 1$  is the *doubled genus*,  $h$  being the number of handles and  $b$  the number of boundary components of the Riemann surfaces with boundary; the coefficient in front of  $N^b$  in  $\left\langle \tau_{\frac{d_1}{2}} \cdots \tau_{\frac{d_n}{2}} \right\rangle_o$  is the actual intersection number over the moduli space of open Riemann surfaces with  $b$  boundary components.

<sup>4</sup>We use a different normalization of the Kontsevich–Penner matrix integral with respect to [ABT17]; this explains why our normalization of times is different.

The Conjecture 1.1 can be stated as

$$\left\langle \tau_{\frac{d_1}{2}} \cdots \tau_{\frac{d_n}{2}} \right\rangle_o = \frac{\partial^n}{\partial t_{d_1+1} \cdots \partial t_{d_n+1}} \log \mathcal{Z}(t; N) \Big|_{t=0} \quad (1.6)$$

which would be a generalization of the Kontsevich's identity (1.5).

**Remark 1.2.** In [Saf16] the author provides an alternative construction of the open intersection numbers and proves that their generating function is precisely  $\log \mathcal{Z}(t; N)$ . The relation between the two definitions is still not clear.

The ultimate goal of the paper is to provide explicit (closed) expressions for the generating functions of the numbers (1.6) in the same spirit as in [BDY16]. To do so we first need to identify  $\mathcal{Z}_n$  with an isomonodromic tau function, as in [BC17] for the case  $N = 0$ , and then identify a suitable (formal) limit of the resulting isomonodromic system. In the next subsection we provide more details on what we mean.

The final explicit formulæ stemming from our approach can be concisely reported; consider the sequence of polynomials  $P_{a,b}^k = P_{a,b}^k(N)$  in  $N$  ( $k = 0, 1, 2, \dots$ ,  $a, b = 0, \pm 1$ ) defined by the generating functions

$$\begin{aligned} \sum_{m \geq 0} \frac{\Gamma\left(\frac{a-b+1}{2}\right)}{\Gamma\left(\frac{a-b+1+6m}{2}\right)} P_{a,b}^{2m}(N) Z^m &= e^{\frac{Z}{3}} {}_2F_2 \left( \begin{matrix} \frac{1-a-b-2N}{2} & \frac{1+a+b+2N}{2} \\ \frac{1}{2} & \frac{1+a-b}{2} \end{matrix} \middle| -\frac{Z}{4} \right) \\ \sum_{m \geq 0} \frac{\Gamma\left(\frac{a-b+2}{2}\right)}{\Gamma\left(\frac{a-b+4+6m}{2}\right)} P_{a,b}^{2m+1}(N) Z^m &= -\frac{2N+a+b}{2} e^{\frac{Z}{3}} {}_2F_2 \left( \begin{matrix} \frac{2-a-b-2N}{2} & \frac{2+a+b+2N}{2} \\ \frac{3}{2} & \frac{2+a-b}{2} \end{matrix} \middle| -\frac{Z}{4} \right) \end{aligned} \quad (1.7)$$

where  ${}_2F_2 \left( \begin{matrix} \alpha & \beta \\ \gamma & \delta \end{matrix} \middle| \zeta \right) := \sum_{n \geq 0} \frac{(\alpha)_n (\beta)_n}{(\gamma)_n (\delta)_n} \frac{\zeta^n}{n!}$  is a generalized hypergeometric series<sup>5</sup>, and form the matrix

$$A(\lambda) := \begin{bmatrix} N \sum_{k \geq 0} P_{1,-1}^k(N) \lambda^{-\frac{3k+2}{2}} & \sum_{k \geq 0} P_{-1,-1}^k(N) \lambda^{-\frac{3k}{2}} & \sum_{k \geq 0} P_{0,-1}^k(N) \lambda^{-\frac{3k+1}{2}} \\ N \sum_{k \geq 0} P_{1,0}^k(N) \lambda^{-\frac{3k+1}{2}} & \sum_{k \geq 0} P_{-1,0}^k(N) \lambda^{-\frac{3k-1}{2}} & \sum_{k \geq 0} P_{0,0}^k(N) \lambda^{-\frac{3k}{2}} \\ N \sum_{k \geq 0} P_{1,1}^k(N) \lambda^{-\frac{3k}{2}} & \sum_{k \geq 0} P_{-1,1}^k(N) \lambda^{-\frac{3k-2}{2}} & \sum_{k \geq 0} P_{0,1}^k(N) \lambda^{-\frac{3k-1}{2}} \end{bmatrix}. \quad (1.8)$$

The formulæ we obtain, taking (1.6) as definition for the open intersection numbers, are (Thm. 1.6)

$$\sum_{d_1, \dots, d_n \geq 0} \left\langle \prod_{i=1}^n \frac{(-1)^{d_i+1} (d_i+1)!!}{2^{\frac{d_i+1}{3}} \lambda_i^{\frac{d_i}{2}+1}} \tau_{\frac{d_i}{2}} \right\rangle_o = \begin{cases} -\sum_{g \geq 1} \frac{2}{3g+2} P_{0,0}^{g+1}(N) \lambda_1^{-\frac{3g+1}{2}} & n = 1 \\ -\frac{1}{n} \sum_{i \in S_n} \text{Tr} \frac{A(\lambda_{i_1}) \cdots A(\lambda_{i_n})}{(\lambda_{i_1} - \lambda_{i_2}) \cdots (\lambda_{i_n} - \lambda_{i_1})} - \frac{\delta_{n,2}}{\left(\lambda_1^{\frac{1}{2}} - \lambda_2^{\frac{1}{2}}\right)^2} & n \geq 2. \end{cases} \quad (1.9)$$

<sup>5</sup> Note that for  $a-b+1=0$  or  $a-b+2=0$  both sides of (1.7) have simple poles, and then the meaning of the identity is that of the residue.

**Example 1.3.** We remind the celebrated result of Itzykson and Zuber [IZ92] expressing in a concise form the generating function for the closed one-point intersection numbers;

$$\sum_{r \geq 0} \langle \tau_{r-2} \rangle_c X^r = e^{\frac{X^3}{24}} \Rightarrow \langle \tau_{3h-2} \rangle_c = \frac{1}{24^h h!} \quad (1.10)$$

where we have added the unstable closed intersection number  $\langle \tau_{-2} \rangle_c = 1$ . The formula (1.9) with the polynomial  $P_{0,0}^m$  defined in (1.7) gives then an appealing and simple form for the analogous generating function of the open intersection numbers;

$$\sum_{d \geq 0} \langle \tau_{\frac{d}{2}-2} \rangle_o X^{\frac{d}{2}} = e^{\frac{X^3}{6}} \left( {}_2F_2 \left( \begin{matrix} \frac{1}{2} - N & \frac{1}{2} + N \\ \frac{1}{2} & \frac{1}{2} \end{matrix} \middle| -\frac{X^3}{8} \right) + N X^{\frac{3}{2}} {}_2F_2 \left( \begin{matrix} 1 - N & 1 + N \\ 1 & \frac{3}{2} \end{matrix} \middle| -\frac{X^3}{8} \right) \right) \quad (1.11)$$

We have added the unstable open intersection numbers  $\langle \tau_{-2} \rangle_o := 1$ ,  $\langle \tau_{-\frac{1}{2}} \rangle_o := N$  for convenience in writing the generating function. The first values are (see also Appendix C)

$$\langle \tau_1 \rangle_o = \frac{1 + 12N^2}{24}, \quad \langle \tau_{\frac{5}{2}} \rangle_o = \frac{N + N^3}{12}, \quad \langle \tau_4 \rangle_o = \frac{1 + 56N^2 + 16N^4}{1152}, \quad \langle \tau_{\frac{11}{2}} \rangle_o = \frac{12N + 25N^3 + 3N^5}{2880}. \quad (1.12)$$

Note that the series only contains powers of  $X$  that are multiple of  $\frac{3}{2}$ , and the doubled genus  $g$  (defined on pag. 3), is related to  $d$  by  $g = \frac{d}{3} - 1$ . If we set  $N = 0$  the first hypergeometric function in (1.11) becomes  $e^{-\frac{X^3}{8}}$  and we fall back to the standard closed intersection number case recovering the known formula (1.10).

## 1.2 Dressing, Schlesinger transformations and the isomonodromic tau function

The first goal of the paper is to identify the matrix integral (1.1) with an isomonodromic tau function, in the sense of Jimbo, Miwa and Ueno [JMU81], following a similar logic to the one used in [BC17]; historically the first time that matrix models of 2D gravity (which are, however, one-matrix models without external source) were related on a formal level to isomonodromic tau functions can be traced to the works [Moo90, Moo91]. Consider the third order linear ODE (*bare equation*)

$$(\partial_\lambda^3 - \lambda \partial_\lambda - N) \psi(\lambda) = 0 \quad (1.13)$$

which we can express equivalently as a first order matrix linear ODE

$$\partial_\lambda \Psi(\lambda) = A(\lambda) \Psi(\lambda), \quad A(\lambda) := \begin{bmatrix} 0 & 1 & 0 \\ 0 & 0 & 1 \\ N & \lambda & 0 \end{bmatrix}. \quad (1.14)$$

In the following we will leave the dependence on  $N$  implicit, for the sake of brevity.

The general solution to (1.13) can be written explicitly in terms of Fourier–Laplace contour integrals (see (2.2) and (2.13)); the solution has an irregular singularity at  $\lambda = \infty$  [Was02] and exhibits a Stokes phenomenon (Proposition 2.9) not dissimilar from the prototypical example of the Airy equation (in fact (1.14) is closely related to it).

In 2.1 the  $3 \times 3$  fundamental matrix solution to (1.14) is expressed as a solution to a Riemann–Hilbert matrix problem for a sectionally analytic matrix-valued function  $\Psi$  in four sectors  $I, \dots, IV$  of the  $\lambda$ -plane, see (2.18). The restrictions  $\Psi_I, \dots, \Psi_{IV}$  of  $\Psi$  to the sectors admit the *same* asymptotic expansion, in the corresponding sector:

$$\begin{aligned} \Psi(\lambda) &= \Gamma(\lambda)e^{\vartheta(\lambda)}, \\ \Gamma(\lambda) &\sim \lambda^S G Y(\lambda) \lambda^L, \quad \lambda \rightarrow \infty \quad \text{in} \quad I \cup \dots \cup IV \end{aligned} \quad (1.15)$$

where

$$\begin{aligned} S &:= \text{diag} \left( -\frac{1}{2}, -\frac{1}{2}, 0 \right), \quad G := \begin{bmatrix} 1 & 0 & 0 \\ 0 & \frac{1}{\sqrt{2}} & \frac{1}{\sqrt{2}} \\ 0 & -\frac{1}{\sqrt{2}} & \frac{1}{\sqrt{2}} \end{bmatrix} \\ L &:= \text{diag} \left( -N + \frac{1}{2}, \frac{N}{2} + \frac{1}{4}, \frac{N}{2} + \frac{1}{4} \right), \quad \vartheta(\lambda) := \text{diag} \left( 0, -\frac{2}{3}\lambda^{\frac{3}{2}}, \frac{2}{3}\lambda^{\frac{3}{2}} \right) \end{aligned} \quad (1.16)$$

and  $Y(\lambda) = \mathbf{1} + \mathcal{O} \left( \lambda^{-\frac{1}{2}} \right)$  is a formal power series in  $\lambda^{-\frac{1}{2}}$  whose coefficients do not depend on the sector.

The matrix-valued function  $\Psi$  is analytic in  $I \cup \dots \cup IV$  and its non-tangential boundary values on the rays separating adjacent sectors are related by right multiplication with constant invertible matrices; this is due to the fact that  $\Psi_I, \dots, \Psi_{IV}$  solve the same ODE (1.14).

These constant multipliers are usually called *generalized monodromy matrices*; in this case they are *Stokes matrices* and *formal monodromy matrices*, see (2.21).

**Remark 1.4.** *All roots of  $\lambda$  are principal roots, with  $\arg(\lambda) \in (-\pi, \pi)$ .*

The notion of *Schlesinger transformations* was formalized in [JM80] and is known also under the name of  *dressing method*. In the present case the gist of the idea is as follows. Consider the bare ODE (1.14) and fix  $n$  points  $\vec{\lambda} = (\lambda_1, \dots, \lambda_n)$  in the  $\lambda$ -plane; one is tasked to find a rational gauge transformation  $R_n = R_n(\lambda; \vec{\lambda})$ , with poles only at  $\lambda \in \vec{\lambda}$ , such that the generalized monodromy data of the gauge transformed system  $\Psi_n := R_n \Psi$  is the same as that of the bare ODE. In particular, the gauged connection matrix  $A_n := R_n A R_n^{-1} - \partial_\lambda R_n R_n^{-1}$  may have additional poles at  $\lambda \in \vec{\lambda}$  but the induced monodromy representation around these poles must be trivial, on account that  $A$  did not have already a pole there.

In [JMU81] it is shown that this *isomonodromy* constraint implies that  $\Psi_n$  satisfies a compatible system of linear differential equations

$$\begin{cases} \partial_\lambda \Psi_n(\lambda; \vec{\lambda}) = A_n(\lambda; \vec{\lambda}) \Psi_n(\lambda; \vec{\lambda}) \\ \partial_{\lambda_j} \Psi_n(\lambda; \vec{\lambda}) = \Omega_{n,j}(\lambda; \vec{\lambda}) \Psi_n(\lambda; \vec{\lambda}) \quad (j = 1, \dots, n) \end{cases} \quad (1.17)$$

with *zero curvature equations*

$$\partial_{\lambda_j} A_n - \partial_\lambda \Omega_{n,j} = [\Omega_{n,j}, A_n], \quad \partial_{\lambda_j} \Omega_{n,k} - \partial_{\lambda_k} \Omega_{n,j} = [\Omega_{n,j}, \Omega_{n,k}] \quad (j, k = 1, \dots, n). \quad (1.18)$$

To such an *isomonodromic system* one can associate a (locally defined) function  $\tau_n(\vec{\lambda}; N)$ , called *isomonodromic tau function* as in [JMU81] (see below for the definition in the present case).

It was already shown in [JM80] that a tau function arising in such a way from Schlesinger transformations is the determinant of some explicit  $n \times n$  *characteristic matrix*.

We take here a different point of view (the same as in [BC17]). The notion of Schlesinger transformation can be reformulated entirely in terms of Riemann–Hilbert data, i.e. in terms of monodromy data; this allows to control certain asymptotic limits where the degree of  $R$  tends to infinity, namely the limit  $n \rightarrow \infty$  (we are not considering this detailed analysis in the present paper but it was done in loc. cit.).

More precisely, there exists a diagonal matrix  $D_n = D_n(\lambda; \vec{\lambda})$  (rational in  $\sqrt{\lambda}$ , see (2.26) below for an explicit expression), with zeros only at  $\lambda \in \vec{\lambda}$  and such that  $R_n \Psi D_n$  is analytic at  $\lambda \in \vec{\lambda}$ . Under such a correspondence, the Schlesinger transformation  $\Psi \mapsto R_n \Psi$  corresponds to the  *Dressing* of the monodromy data  $\widetilde{M} \mapsto D_n^{-1} \widetilde{M} D_n$  (more details in Sec. 2).

In [Ber10] a general formula for the isomonodromic tau function was found in terms of the monodromy data; adapted to the present case it implies that the tau function  $\tau_n(\vec{\lambda}; N)$  of the system (1.17)–(1.18) is defined by

$$\partial_{\lambda_j} \log \tau_n(\vec{\lambda}; N) = \int_{\Sigma} \frac{d\lambda}{2\pi i} \operatorname{Tr} (\Gamma_n^{-1} \partial_{\lambda} \Gamma_n - \partial_{\lambda_j} M_n M_n^{-1}) \quad (1.19)$$

where  $\Psi_n = \Gamma_n D_n^{-1} e^{\vartheta}$  ( $\vartheta$  as in (1.16)),  $M_n$  are the dressed jump matrices for  $\Gamma_n$ , defined along  $\Sigma$  which is the union of the oriented rays separating the sectors  $I, \dots, IV$  described above (see figure 1); the subscript  $-$  indicates the choice of boundary value at the oriented contour  $\Sigma$ .

In general, the expression in the right-hand side of (1.19) is termed *Malgrange differential*.

The effect of dressing the jump matrices by a rational diagonal matrix on the Malgrange differential, and consequently on the tau function, was studied in [BC15]; the result is a direct argument for the identification, up to some explicit rational expression, of the tau function for the system (1.17)–(1.18) with the determinant of the *characteristic matrix* of [JM80], along with an interpretation of the linear map represented by this matrix.

By a careful analysis of this determinant (carried over in Appendix B) one obtains the following Theorem, which will be proved as a special case of a slightly more general theorem (Thm. 2.27) in Section 2.4.

**Theorem 1.5.** *The Kontsevich–Penner matrix integral (1.1) coincides with the tau function (1.19);*

$$\mathcal{Z}_n(Y; N) = \tau_n(\vec{\lambda}; N) \quad (1.20)$$

with the identification  $\lambda_j = y_j^2$ .

### 1.3 The limiting isomonodromic system

The matrix  $D_n(\lambda; \vec{\lambda})$  is such that up to a constant scalar matrix the following *formal* identity holds

$$D_n^{-1} \propto \exp \sum_{k \geq 1} T_k \lambda^{\frac{k}{2}} \theta_k, \quad \theta_k = \operatorname{diag}(0, (-1)^k, 1) \quad (1.21)$$



where  $\mathbf{T} = (T_1, T_2, \dots)$  are the aforementioned Miwa variables  $T_k = \frac{1}{k} \sum_{j=1}^n \lambda_j^{-\frac{k}{2}}$ . This suggests to introduce directly the matrix  $\Psi(\lambda; \mathbf{T})$ , as a function of the Miwa times  $\mathbf{T}$ , as we now explain. For the sake of definiteness, one has to assume that we have truncated the Miwa times, i.e.  $T_k = 0$  for  $k \gg 1$ . Then  $\Psi(\lambda; \mathbf{T})$  is a matrix-valued function, sectionally analytic in the sectors  $I, \dots, IV$ , satisfying the same jump condition as  $\Psi(\lambda)$  on  $\Sigma$  and having an asymptotic expansion

$$\begin{aligned} \Psi(\lambda; \mathbf{T}) &= \Gamma(\lambda; \mathbf{T}) e^{\Theta(\lambda; \mathbf{T})}, \quad \Theta(\lambda; \mathbf{T}) = \sum_{k \geq 1} \left( T_k + \frac{2}{3} \delta_{k,3} \right) \lambda^{\frac{k}{2}} \theta_k, \\ \Gamma(\lambda; \mathbf{T}) &\sim \lambda^S G \left( \mathbf{1} + \mathcal{O} \left( \lambda^{-\frac{1}{2}} \right) \right) \lambda^L, \quad \lambda \rightarrow \infty \text{ in } I, \dots, IV \end{aligned} \quad (1.22)$$

with  $S, G, L$  as in (1.16). More details are provided in Sec 3.

To  $\Psi(\lambda; \mathbf{T})$  one can associate a tau function  $\tau(\mathbf{T}; N)$  as in [JMU81] by

$$\partial_{T_k} \log \tau(\mathbf{T}; N) = - \operatorname{res}_{\lambda=\infty} \operatorname{Tr} \left( \lambda^{\frac{k}{2}} \Gamma^{-1} \partial_\lambda \Gamma \theta_k \right) \quad (1.23)$$

(compare with Proposition (3.6)).

By the *isomonodromic method* we refer to the identification of the (formal) limit of the Kontsevich–Penner matrix integral  $\mathcal{Z}_n(Y; N)$  with the above tau function  $\tau(\mathbf{T}; N)$  (see Prop. 3.3). This identification allows us to exploit a rich formalism to compute its logarithmic derivatives of arbitrary order; this is best achieved by arranging them into suitable *generating functions* (usually called *correlation functions*). To this end we define the *correlators* as the expressions below:

$$\begin{aligned} \left\langle \left\langle \tau_{\frac{d_1}{2}} \cdots \tau_{\frac{d_n}{2}} \right\rangle \right\rangle &:= \frac{\partial^n \log \tau(\mathbf{t}; N)}{\partial t_{d_1+1} \cdots \partial t_{d_n+1}} \quad (n \geq 1, d_j \geq 0) \\ \left\langle \tau_{\frac{d_1}{2}} \cdots \tau_{\frac{d_n}{2}} \right\rangle &:= \left\langle \left\langle \tau_{\frac{d_1}{2}} \cdots \tau_{\frac{d_n}{2}} \right\rangle \right\rangle \Big|_{\mathbf{t}=0} \quad (n \geq 1, d_j \geq 0). \end{aligned} \quad (1.24)$$

The aforementioned correlation functions are then given by

$$\begin{aligned} S_n(\lambda_1, \dots, \lambda_n; \mathbf{t}) &:= \sum_{d_1, \dots, d_n \geq 0} \left\langle \left\langle \tau_{\frac{d_1}{2}} \cdots \tau_{\frac{d_n}{2}} \right\rangle \right\rangle \frac{(-1)^{d_1+1} (d_1+1)!! \cdots (-1)^{d_n+1} (d_n+1)!!}{2^{\frac{d_1+1}{3}} \lambda_1^{\frac{d_1}{2}+1} \cdots 2^{\frac{d_n+1}{3}} \lambda_n^{\frac{d_n}{2}+1}} \quad (n \geq 1) \\ S_n(\lambda_1, \dots, \lambda_n) &:= S_n(\lambda_1, \dots, \lambda_n; \mathbf{t} = 0) \quad (n \geq 1). \end{aligned} \quad (1.25)$$

**Theorem 1.6.** *The correlation functions are*

$$S_1(\lambda) = - \sum_{g \geq 1} \frac{2}{3g+2} P_{0,0}^{g+1}(N) \lambda^{-\frac{3g+1}{2}} \quad (1.26)$$

$$S_n(\lambda_1, \dots, \lambda_n) = - \frac{1}{n} \sum_{i \in S_n} \operatorname{Tr} \frac{A(\lambda_{i_1}) \cdots A(\lambda_{i_n})}{(\lambda_{i_1} - \lambda_{i_2}) \cdots (\lambda_{i_n} - \lambda_{i_1})} - \frac{\delta_{n,2}}{\left( \lambda_1^{\frac{1}{2}} - \lambda_2^{\frac{1}{2}} \right)^2} \quad (n \geq 2) \quad (1.27)$$

where the polynomials  $P_{0,0}^k(N)$  are as in (1.7) and the matrix  $A(\lambda)$  is as in (1.8).

The proof is given in Section 3.2.

**Example 1.7.** For  $n = 1$  the formula (1.26) can be expressed as in Example 1.3. For  $n = 2, 3$  the formula (1.27) can be written in simple form exploiting the cyclic property of the trace, as

$$S_2(\lambda_1, \lambda_2) = \text{Tr} \frac{A(\lambda_1)A(\lambda_2)}{(\lambda_1 - \lambda_2)^2} - \frac{1}{\left(\lambda_1^{\frac{1}{2}} - \lambda_2^{\frac{1}{2}}\right)^2} \quad (1.28)$$

$$S_3(\lambda_1, \lambda_2, \lambda_3) = -\text{Tr} \frac{A(\lambda_1)A(\lambda_2)A(\lambda_3) - A(\lambda_2)A(\lambda_1)A(\lambda_3)}{(\lambda_1 - \lambda_2)(\lambda_2 - \lambda_3)(\lambda_3 - \lambda_1)} \quad (1.29)$$

A second application of the isomonodromic method is the derivation of the *String* and *Dilaton* equations for the Kontsevich–Penner model (already established in the literature in [BH12], [Ale15a]) as a consequence of translation and dilation co-variance of the system (3.12)–(3.13):

**Proposition 1.8.** *The isomonodromic tau function  $\tau(\mathbf{T}; N)$ , and consequently the partition function  $\mathcal{Z}(\mathbf{T}; N)$ , satisfies*

$$\left( \sum_{k \geq 3} \frac{k}{2} T_k \frac{\partial}{\partial T_{k-2}} + \frac{\partial}{\partial T_1} + \frac{T_1^2}{4} + NT_2 \right) \tau(\mathbf{T}; N) = 0 \quad (1.30)$$

$$\left( \sum_{k \geq 1} \frac{k}{2} T_k \frac{\partial}{\partial T_k} + \frac{\partial}{\partial T_3} + \frac{1}{16} + \frac{3N^2}{4} \right) \tau(\mathbf{T}; N) = 0. \quad (1.31)$$

The proof is found in Section 3.3.

**Remark 1.9.** *Our normalization for the main variables differs slightly from the literature, e.g. the set of times used in [Ale15a] is related to our time variables  $T_k$  as  $(-1)^k 2^{-\frac{k}{3}} T_k$ .*

**Organization of the paper.** In Section 2 we study the ODE (1.14) and define the suitable Schlesinger transformations in terms of a Riemann–Hilbert problem along the lines of [Ber10]. Exploiting the theory developed in [BC15], already applied to the case  $N = 0$  in [BC17], we prove Theorem 1.5 by explicit computation of the tau function. In section 3 we study the formal limiting Riemann–Hilbert problem and prove Theorem 1.6 and Proposition 1.8. Technical parts of the proofs are postponed to Appendices A and B. In Appendix C we collect a table of some open intersection numbers, up to six–point, obtained with the formulæ of Theorem 1.6; we observe that these “intersection numbers” are polynomials in  $N$  whose constant term was verified to coincide with the standard (closed) intersection numbers.

**Acknowledgements.** The research of M. B. was supported in part by the Natural Sciences and Engineering Research Council of Canada grant RGPIN-2016-06660. G. R. wishes to thank the Department of Mathematics and Statistics at Concordia University for hospitality during which the work was completed.

## 2 The Kontsevich–Penner integral as isomonodromic tau function

**Wronskian representation of the Kontsevich–Penner matrix integral.** The matrix integral (1.1) can be rewritten using the following chain of equalities:

$$\begin{aligned}
& \int_{H_n} dM \exp \operatorname{Tr} \left( \frac{i}{3} M^3 - Y M^2 - N \log(M + iY) \right) = \\
& \stackrel{(1)}{=} \exp \left( \frac{2}{3} \operatorname{Tr} Y^3 \right) \int_{H_n} dM' \exp \operatorname{Tr} \left( i \frac{M'^3}{3} + i M' Y^2 - N \log M' \right) = \\
& \stackrel{(2)}{=} C_n \exp \left( \frac{2}{3} \operatorname{Tr} Y^3 \right) \int_{\mathbb{R}^n} \Delta^2(X) \prod_{j=1}^n \frac{\exp \frac{i x_j^3}{3}}{x_j^N} dx_j \int_{U(n)} dU \exp \operatorname{Tr} (i Y^2 U X U^\dagger) = \\
& \stackrel{(3)}{=} \widetilde{C}_n \exp \left( \frac{2}{3} \operatorname{Tr} Y^3 \right) \int_{\mathbb{R}^n} \frac{\Delta(X) \det [\exp (i x_j y_k^2)]_{j,k=1}^n}{\Delta(Y^2)} \prod_{j=1}^n \frac{\exp \frac{i x_j^3}{3}}{x_j^N} dx_j = \\
& \stackrel{(4)}{=} n! \widetilde{C}_n \frac{\exp \left( \frac{2}{3} \operatorname{Tr} Y^3 \right)}{\Delta(Y^2)} \det \left[ \int_{\mathbb{R}} x^{j-1-N} \exp \left( \frac{i x^3}{3} + i x y_k^2 \right) dx \right]_{j,k=1}^n
\end{aligned} \tag{2.1}$$

In (1) we perform a shift  $M' := M + iY$  and an analytic continuation: the integral is now only conditionally convergent, it is absolutely convergent only when understood as integration over  $H_n + i\epsilon \mathbf{1}$  for any  $\epsilon > 0$ . In (2) we apply Weyl integration formula and we use the notation  $X = \operatorname{diag}(x_1, \dots, x_n)$ , with  $\Delta(X) = \det[x_j^{k-1}]_{1 \leq j, k \leq n} = \prod_{1 \leq j < k \leq n} (x_k - x_j)$  being the Vandermonde determinant and  $dU$  the Haar measure on  $U(n)$ . In (3) we apply Harish-Chandra formula and in (4) Andreief identity.  $C_n, \widetilde{C}_n$  denote constants depending only on  $n$  that we need not make explicit (compare with (2.10)).

**Definition 2.1.** For  $N \in \mathbb{Z}$  we define the functions

$$f(\lambda; N) := \frac{i^N}{\sqrt{2\pi}} \int_{\mathbb{R}+i\epsilon} \frac{\exp \left( \frac{i x^3}{3} + i x \lambda \right)}{x^N} dx \tag{2.2}$$

The integral is absolutely convergent for any  $\epsilon > 0$  and it defines an entire function of  $\lambda$  (independent of  $\epsilon$ ).

**Remark 2.2.**  $f(\lambda; 0) = \sqrt{2\pi} \operatorname{Ai}(\lambda)$ , where  $\operatorname{Ai}(\lambda)$  is the Airy function. The sequence of functions  $(f(\lambda; N))_{N \in \mathbb{Z}}$  satisfies the simple recurrence relation

$$\partial_\lambda f(\lambda; N) = -f(\lambda; N - 1). \tag{2.3}$$

Moreover each function in (2.2) satisfies the differential equation

$$(\partial_\lambda^3 - \lambda \partial_\lambda + N - 1) f(\lambda; N) = 0 \tag{2.4}$$

as it is easily verified by using integration by parts. Combining (2.3) and (2.4), we also obtain the following recurrence relation

$$f(\lambda; N - 3) - \lambda f(\lambda; N - 1) - (N - 1) f(\lambda; N) = 0. \tag{2.5}$$

**Proposition 2.3.** *When  $\lambda \rightarrow \infty$  within the sector  $-\pi < \arg \lambda < \pi$  we have*

$$f(\lambda; N) \sim \frac{\exp\left(-\frac{2}{3}\lambda^{\frac{3}{2}}\right)}{\sqrt{2}\lambda^{\frac{N}{2}+\frac{1}{4}}} F_-(\lambda; N) \quad (2.6)$$

where

$$F_-(\lambda; N) = 1 + \sum_{j \geq 1} (-1)^j C_j(N) \lambda^{-\frac{3j}{2}}, \quad C_j(N) := \sum_{b=0}^{2j} \frac{(-1)^b}{3^b b!} \binom{-N}{2j-b} \frac{\Gamma\left(\frac{1}{2} + j + b\right)}{\sqrt{\pi}}. \quad (2.7)$$

The proof is based on a formal steepest descent argument and is contained in Appendix A.

**Remark 2.4.** *In different sectors (e.g. in  $\pi < \arg \lambda < 3\pi$ ) a formal analytic continuation of the expression in the right-hand side of (2.6) is needed, so we shall consider also the power series*

$$F_+(\lambda; N) = 1 + \sum_{j \geq 1} C_j(N) \lambda^{-\frac{3j}{2}}. \quad (2.8)$$

**Remark 2.5.** *As a corollary of the recurrence relation (2.5) we obtain the following recurrence relation for the formal series  $F_{\pm}(N)$ :*

$$F_{\pm}(\lambda; N-2) - F_{\pm}(\lambda; N) \pm N\lambda^{-\frac{3}{2}} F_{\pm}(\lambda; N+1) = 0. \quad (2.9)$$

**Proposition 2.6.** *The Kontsevich–Penner matrix integral can be expressed as follows:*

$$\mathcal{Z}_n(Y; N) = 2^{\frac{n}{2}} \frac{\left(\det Y^{N+\frac{1}{2}}\right) \exp\left(\frac{2}{3}\text{Tr} Y^3\right)}{\Delta(Y)} \det \left[ \partial_{\lambda}^{j-1} f(\lambda; N) \Big|_{\lambda=y_k^2} \right]_{j,k=1}^n. \quad (2.10)$$

**Proof.** From (2.1) and the Gaussian integral formula

$$\int_{H_n} \exp \text{Tr} (-Y M^2) = \frac{\sqrt{\pi}^{n^2}}{\prod_{j=1}^n \sqrt{y_j} \prod_{1 \leq j < k \leq n} (y_j + y_k)} \quad (2.11)$$

we have only to recover the proportionality constant in (2.10). In the limit  $Y \rightarrow \text{diag}(+\infty, \dots, +\infty)$  we have  $\mathcal{Z}_n(Y; N) \rightarrow 1$  and, by (2.3) and (2.6),

$$\det \left[ \partial_{\lambda}^{j-1} f(\lambda; N) \Big|_{\lambda=y_k^2} \right]_{j,k=1}^n \sim \Delta(Y) \prod_{j=1}^n \frac{\exp\left(-\frac{2}{3}y_j^3\right)}{\sqrt{2}y_j^{N+\frac{1}{2}}} \quad (2.12)$$

so that this constant is eventually found to be  $2^{\frac{n}{2}}$ . ■

## 2.1 Stokes phenomenon for the bare system

Consider the ODE (1.14) and introduce

$$g(\lambda; 0) := 1, \quad g(\lambda; N) := \frac{(-i)^N}{\Gamma(N)} \int_0^{+\infty e^{i\epsilon}} x^{N-1} \exp\left(\frac{ix^3}{3} + ix\lambda\right) dx, \quad N = 1, 2, \dots \quad (2.13)$$

(Note that  $g(\lambda, 0)$  is also the limit as  $\nu \rightarrow 0$  of  $g(\lambda; \nu)$ ). The integral is absolutely convergent for any  $0 < \epsilon < \frac{\pi}{3}$  so it defines an entire function of  $\lambda$  (independent of  $\epsilon$ ). Using integration by parts it is easy to check that  $g(\lambda; N)$  satisfies the differential equation

$$(\partial_\lambda^3 - \lambda \partial_\lambda - N) g(\lambda; N) = 0. \quad (2.14)$$

**Proposition 2.7.** *When  $\lambda \rightarrow \infty$  within the sector  $-\frac{\pi}{3} < \arg \lambda < \pi$*

$$g(\lambda; N) \sim \lambda^{-N} (1 + \mathcal{O}(\lambda^{-3})). \quad (2.15)$$

The proof is contained in Appendix A.

**Definition 2.8.** *Fix three angles  $\beta_\pm, \beta_0$  such that*

$$-\pi < \beta_- < -\frac{\pi}{3}, \quad -\frac{\pi}{3} < \beta_0 < \frac{\pi}{3}, \quad \frac{\pi}{3} < \beta_+ < \pi \quad (2.16)$$

and define four sectors  $I, II, III, IV$  in the complex  $\lambda$ -plane, with  $-\pi < \arg \lambda < \pi$ , as follows

$$\begin{aligned} \lambda \in I &\iff -\pi < \arg \lambda < \beta_-, & \lambda \in II &\iff \beta_- < \arg \lambda < \beta_0, \\ \lambda \in III &\iff \beta_0 < \arg \lambda < \beta_+, & \lambda \in IV &\iff \beta_+ < \arg \lambda < \pi. \end{aligned} \quad (2.17)$$

Let  $\Sigma := \mathbb{R}_- \sqcup \left( \bigsqcup_{j \in \{0, \pm\}} e^{i\beta_j} \mathbb{R}_+ \right)$  be the oriented contour delimiting the sectors  $I, \dots, IV$ , as in figure 1.

Let  $\omega := e^{\frac{2\pi i}{3}}$ ,  $\nabla := [1 \quad \partial_\lambda \quad \partial_\lambda^2]^\top$ , and define

$$\Psi(\lambda) = \begin{cases} \left[ \begin{array}{l} \omega^{-N} \nabla g(\omega^{-1}\lambda; N) \mid \omega^{-N} \nabla f(\omega^{-1}\lambda; 1-N) \mid i\omega^{-\frac{N}{2}} \nabla f(\omega\lambda; 1-N) \end{array} \right] & \lambda \in I \\ \left[ \begin{array}{l} \omega^N \nabla g(\omega\lambda; N) \mid -\nabla f(\lambda; 1-N) \mid i\omega^{-\frac{N}{2}} \nabla f(\omega\lambda; 1-N) \end{array} \right] & \lambda \in II \\ \left[ \begin{array}{l} \nabla g(\lambda; N) \mid -\nabla f(\lambda; 1-N) \mid -i\omega^{\frac{N}{2}} \nabla f(\omega^{-1}\lambda; 1-N) \end{array} \right] & \lambda \in III \\ \left[ \begin{array}{l} \omega^{-N} \nabla g(\omega^{-1}\lambda; N) \mid \omega^N \nabla f(\omega\lambda; 1-N) \mid -i\omega^{\frac{N}{2}} \nabla f(\omega^{-1}\lambda; 1-N) \end{array} \right] & \lambda \in IV. \end{cases} \quad (2.18)$$

**Proposition 2.9.**  $\Psi(\lambda)$  solves (1.14) in all sectors  $I, \dots, IV$ ; furthermore it has the same asymptotic expansion in all sectors  $I, \dots, IV$

$$\Psi(\lambda) \sim \lambda^S G \left( \mathbf{1} + \mathcal{O}\left(\lambda^{-\frac{1}{2}}\right) \right) \lambda^L e^{\vartheta(\lambda)} \quad (2.19)$$

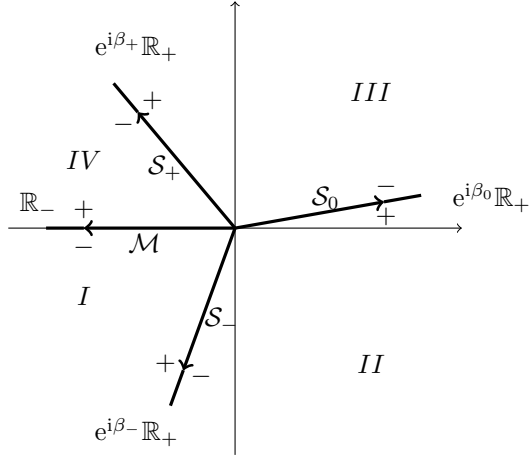


Figure 1: Jump  $\widetilde{M}$  of  $\Psi$  along  $\Sigma$ :  $\Psi_+ = \Psi_- \widetilde{M}$ .

where  $S, G, L, \vartheta$  have been defined in (1.16), and satisfies a jump condition along  $\Sigma$

$$\Psi_+(\lambda) = \Psi_-(\lambda) \widetilde{M}, \quad \lambda \in \Sigma \quad (2.20)$$

where boundary values are taken with respect to the orientation of  $\Sigma$  shown in figure 1 and  $\widetilde{M} : \Sigma \rightarrow \text{SL}(3, \mathbb{C})$  is defined piecewise as

$$\widetilde{M} := \begin{cases} \mathcal{S}_{0,\pm}, & \lambda \in e^{i\beta_{0,\pm}} \mathbb{R}_+ \\ \mathcal{M}, & \lambda \in \mathbb{R}_- \end{cases} \quad (2.21)$$

$$\mathcal{S}_- := \begin{bmatrix} 1 & 0 & 0 \\ 0 & 1 & 0 \\ \frac{(-1)^N \sqrt{2\pi}}{\Gamma(N)} & i(-1)^N & 1 \end{bmatrix}, \quad \mathcal{S}_0 := \begin{bmatrix} 1 & 0 & 0 \\ -\frac{i\sqrt{2\pi}}{\Gamma(N)} & 1 & i(-1)^N \\ 0 & 0 & 1 \end{bmatrix},$$

$$\mathcal{S}_+ := \begin{bmatrix} 1 & 0 & 0 \\ 0 & 1 & 0 \\ -\frac{(-1)^N \sqrt{2\pi}}{\Gamma(N)} & i(-1)^N & 1 \end{bmatrix}, \quad \mathcal{M} := \begin{bmatrix} 1 & 0 & 0 \\ 0 & 0 & -i(-1)^N \\ 0 & -i(-1)^N & 0 \end{bmatrix}.$$

**Proof.** The differential equation follows from (2.4) and (2.14). The asymptotic expansion (2.19) follows by analytic continuation of the expansions (2.6) and (2.15). For the jump use the following identities, consequence of the Cauchy Theorem

$$f(\lambda; 1-N) + \omega^N f(\omega\lambda; 1-N) + \omega^{-N} f(\omega^{-1}\lambda; 1-N) = 0,$$

$$g(\lambda; N) - \omega^N g(\omega\lambda; N) = -\frac{i\sqrt{2\pi}}{\Gamma(N)} f(\lambda; 1-N). \quad (2.22)$$

■

**Remark 2.10.** The identity  $\det \Psi(\lambda) = 1$  holds identically in all sectors.

**Remark 2.11.** In the terminology of linear complex ordinary differential equations  $S_{\pm,0}$  are the Stokes matrices and  $\mathcal{M}$  the formal monodromy of the singularity  $\lambda = \infty$  of (1.14). Notice the no-monodromy condition  $\mathcal{M}S_+S_0S_- = 1$ .

## 2.2 Extension of the Kontsevich–Penner matrix integral

By (2.10) and Proposition 2.3 we see that  $\mathcal{Z}_n(Y; N)$  admits a regular asymptotic expansion for large  $Y$  when  $\operatorname{Re} y_j > 0$ . As  $f(\lambda; N)$  are entire functions we could try to analytically continue  $\mathcal{Z}_n(Y; N)$  to the region  $\operatorname{Re} y_j < 0$  via the right-hand side of (2.10). However, this would result in the fact that  $\mathcal{Z}_n(Y; N)$  does not admit a regular asymptotic expansion in the region where some  $\operatorname{Re} y_j < 0$ .

The main motivation for the definition of the Kontsevich–Penner model is the construction of a *generating function* (in the sense of formal series). In order to have a regular expansion near infinity also in the sector  $\operatorname{Re} y_j < 0$  (and, in fact, the *same* expansion) we need to modify the definition of  $\mathcal{Z}_n(Y; N)$ . To this end we start from the Wronskian representation (2.1) in terms of the function  $f(\lambda, N)$  (2.2); in the left plane we replace them by other solution to the ODE (2.4) in appropriate way so as to preserve the regularity of the asymptotic expansion. The logic is completely parallel to the one used in [BC15] and is forced on us by the Stokes phenomenon of the solutions to the ODE (2.4), which is closely related to the Airy differential equation.

**Definition 2.12.** We order the variables  $y_j$  so that  $\operatorname{Re} y_j > 0$  for  $j = 1, \dots, n_1$  and  $\operatorname{Re} y_j < 0$  for  $j = n_1 + 1, \dots, n_1 + n_2 = n$ . We denote  $\vec{\lambda} = (\lambda_1, \dots, \lambda_{n_1})$  and  $\vec{\mu} = (\mu_1, \dots, \mu_{n_2})$  with  $y_j = \sqrt{\lambda_j}$  for  $j = 1, \dots, n_1$  and  $y_{n_1+j} = -\sqrt{\mu_j}$  for  $j = 1, \dots, n_2$ , all roots being principal. We define the extended Kontsevich–Penner partition function by the expression (for the meaning of the sectors, see Def. 2.8 and Fig. 1)

$$\mathcal{Z}_n(\vec{\lambda}, \vec{\mu}; N) := 2^{\frac{n}{2}} e^{Q(\vec{\lambda}, \vec{\mu})} \Delta(\vec{\lambda}, \vec{\mu}; N) \det \left[ \begin{array}{c} \left[ \omega^{N+\frac{1}{2}} f^{(j-1)}(\omega^{-1} \lambda_k; N) \right]_{1 \leq k \leq n_1, \lambda_k \in I} \\ \left[ f^{(j-1)}(\lambda_k; N) \right]_{1 \leq k \leq n_1, \lambda_k \in II \cup III} \\ \left[ \omega^{-N-\frac{1}{2}} f^{(j-1)}(\omega \lambda_k; N) \right]_{1 \leq k \leq n_1, \lambda_k \in IV} \\ \left[ \omega^{\frac{N}{2}+\frac{1}{4}} f^{(j-1)}(\omega \mu_k; N) \right]_{n_1+1 \leq k \leq n, \mu_k \in I \cup II} \\ \left[ \omega^{-\frac{N}{2}-\frac{1}{4}} f^{(j-1)}(\omega^{-1} \mu_k; N) \right]_{n_1+1 \leq k \leq n, \mu_k \in III \cup IV} \end{array} \right]_{1 \leq j \leq n} \quad (2.23)$$

where

$$Q(\vec{\lambda}; \vec{\mu}) := \frac{2}{3} \sum_{j=1}^{n_1} \lambda_j^{\frac{3}{2}} - \frac{2}{3} \sum_{j=1}^{n_2} \mu_j^{\frac{3}{2}} \quad (2.24)$$

and

$$\Delta(\vec{\lambda}, \vec{\mu}; N) := \frac{\prod_{j=1}^{n_1} \lambda_j^{\frac{1}{4} + \frac{N}{2}} \prod_{j=1}^{n_2} (-\mu_j)^{\frac{1}{4} + \frac{N}{2}}}{\prod_{1 \leq j < k \leq n_1} (\sqrt{\lambda_k} - \sqrt{\lambda_j}) \prod_{1 \leq j < k \leq n_2} (\sqrt{\mu_j} - \sqrt{\mu_k}) \prod_{j=1}^{n_1} \prod_{k=1}^{n_2} (\sqrt{\lambda_j} + \sqrt{\mu_k})}. \quad (2.25)$$

We deduce that  $\mathcal{Z}_n(\vec{\lambda}, \vec{\mu}; N)$  as defined in (2.23) has a regular asymptotic expansion when  $\lambda_j, \mu_j \rightarrow \infty$  in the indicated sectors. This regular asymptotic expansion coincides with the already discussed regular asymptotic expansion of  $\mathcal{Z}_n(Y; N)$  for  $\operatorname{Re} y_k = \operatorname{Re} \sqrt{\lambda_k} \geq 0$ . As analytic functions,  $\mathcal{Z}_n(\vec{\lambda}, \vec{\mu}; N) = \mathcal{Z}_n(Y; N)$  provided that  $n_2 = 0$ ,  $\lambda_k \in II \cup III$  and  $y_k = \sqrt{\lambda_k}$  for all  $k = 1, \dots, n$ .

We point out that the definition (2.23) depends not only on the belonging of  $y_j$  to the left/right half-planes but also on the placement of the boundaries between the sectors  $I-IV$  in Def. 2.8. If we move the boundaries within the bounds of Def. 2.8 then this yields different functions  $\mathcal{Z}_n(\vec{\lambda}, \vec{\mu}; N)$  but all admitting the same asymptotic expansion as  $\vec{\lambda}, \vec{\mu}$  tend to infinity within the respective sectors. We opted to leave this dependence on the sectors understood, without explicit reference in the symbol of the function, in the interest of lighter notations.

### 2.3 Dressed Riemann-Hilbert problem

**Definition 2.13.** Recall  $\vec{\lambda} = (\lambda_1, \dots, \lambda_{n_1})$  and  $\vec{\mu} = (\mu_1, \dots, \mu_{n_2})$  from Definition 2.12. Introduce

$$D_n(\lambda; \vec{\lambda}, \vec{\mu}) := \operatorname{diag}(\alpha, \pi_+, \pi_-) \quad (2.26)$$

$$\alpha := \prod_{j=1}^{n_1} \sqrt{\lambda_j} \prod_{j=1}^{n_2} \sqrt{\mu_j}, \quad \pi_{\pm} := \prod_{j=1}^{n_1} \left( \sqrt{\lambda_j} \pm \sqrt{\lambda} \right) \prod_{j=1}^{n_2} \left( \sqrt{\mu_j} \mp \sqrt{\lambda} \right)$$

and  $M_n : \Sigma \rightarrow \operatorname{SL}(3, \mathbb{C})$

$$M_n := (D_n^{-1} e^{\vartheta})_- \widetilde{M} (e^{-\vartheta} D_n)_+ \quad (2.27)$$

$\widetilde{M}$  and the notation  $\pm$  for boundary values being as in (2.21).

The boundary value specifications  $\pm$  in (2.27) give different values along the cut  $\mathbb{R}_-$  only. In particular it is easy to check that  $M_n|_{\mathbb{R}_-}$  does not depend on  $\vec{\lambda}, \vec{\mu}$ . The angles  $\beta_{0, \pm}$  are chosen so that none of zeros of  $D_n$  occur along the three rays  $e^{i\beta_{0, \pm}} \mathbb{R}_+$ .

The construction is such that along the three rays  $e^{i\beta_{0, \pm}} \mathbb{R}_+$  the jump matrix  $M_n$  is exponentially close to the identity matrix;  $M_n(\lambda) = \mathbf{1} + \mathcal{O}(\lambda^{-\infty})$  as  $|\lambda| \rightarrow \infty$ .

We now formulate the dressed Riemann-Hilbert problem.

**Riemann-Hilbert Problem 2.14.** Find a  $\operatorname{Mat}(3, \mathbb{C})$ -valued function  $\Gamma_n = \Gamma_n(\lambda; \vec{\lambda}, \vec{\mu})$  analytic in  $\lambda \in \mathbb{C} \setminus \Sigma$ , admitting non-tangential boundary values  $\Gamma_{n\pm}$  at  $\Sigma$  (as in figure 1) such that

$$\begin{cases} \Gamma_{n+}(\lambda) = \Gamma_{n-}(\lambda) M_n(\lambda) & \lambda \in \Sigma \\ \Gamma_n(\lambda) \sim \lambda^S G Y_n(\lambda) \lambda^L & \lambda \rightarrow \infty \end{cases} \quad (2.28)$$

where  $S, G, L$  are as in (1.16),  $M_n$  as in (2.27) and  $Y_n(\lambda)$  a formal power series in  $\lambda^{-\frac{1}{2}}$  satisfying the normalization

$$Y_n(\lambda) = \mathbf{1} + \begin{bmatrix} 0 & a_n & -a_n \\ 0 & c_n & 0 \\ 0 & 0 & -c_n \end{bmatrix} \lambda^{-\frac{1}{2}} + \mathcal{O}(\lambda^{-1}). \quad (2.29)$$



We will see (Rem. 2.25) that the existence of the solution to the Riemann–Hilbert problem 2.14 depends on the non-vanishing of a function of  $\vec{\lambda}, \vec{\mu}$  which is (restriction of an) entire function. Hence the singular locus in the parameter space where the problem is unsolvable, is a divisor (*Malgrange divisor*) and the problem is generically solvable.

**Remark 2.15.** We observe that we can analytically continue  $\Gamma_n|_{IV}$  beyond  $\arg \lambda = \pi$  so that the asymptotic expansion  $\Gamma_n \sim \lambda^S G Y_n \lambda^L$  remains valid in a sector up to  $\arg \lambda = \pi + \epsilon$ . Similarly said for  $\Gamma_n|_I$ , in a sector from  $\arg \lambda = -\pi - \epsilon$ . By matching the expansions in the overlap sector, we obtain

$$\lambda^S e^{2\pi i S} G Y_n(\lambda e^{2\pi i}) \lambda^L e^{2\pi i L} = \lambda^S G Y_n(\lambda) \lambda^L \mathcal{M}. \quad (2.30)$$

By trivial algebra (2.30) implies the following symmetry relation for the formal power series  $Y_n(\lambda)$

$$Y_n(\lambda e^{2\pi i}) = \begin{bmatrix} 1 & 0 & 0 \\ 0 & 0 & 1 \\ 0 & 1 & 0 \end{bmatrix} Y_n(\lambda) \begin{bmatrix} 1 & 0 & 0 \\ 0 & 0 & 1 \\ 0 & 1 & 0 \end{bmatrix}. \quad (2.31)$$

In terms of the coefficients of the expansion of  $Y_n$ , we find that the coefficients of the fractional powers must be odd under the conjugation (2.31), while those of the integer powers must be even. In particular this implies the following form for  $Y_n$

$$Y_n(\lambda) = \mathbf{1} + \begin{bmatrix} 0 & a_n & -a_n \\ b_n & c_n & d_n \\ -b_n & -d_n & -c_n \end{bmatrix} \lambda^{-\frac{1}{2}} + \mathcal{O}(\lambda^{-1}). \quad (2.32)$$

**Remark 2.16.** The normalization condition (2.29) is necessary to ensure the uniqueness of the solution to the Riemann-Hilbert problem 2.14. To explain this, consider the identity

$$\begin{bmatrix} 1 & 0 & 0 \\ 0 & 1 & 0 \\ \alpha & \beta & 1 \end{bmatrix} \lambda^S G = \lambda^S G \left( \mathbf{1} + \begin{bmatrix} 0 & 0 & 0 \\ -\frac{\alpha}{\sqrt{2}} & -\frac{\beta}{2} & -\frac{\beta}{2} \\ \frac{\alpha}{\sqrt{2}} & \frac{\beta}{2} & \frac{\beta}{2} \end{bmatrix} \lambda^{-\frac{1}{2}} \right). \quad (2.33)$$

This identity shows that the simple requirement  $Y_n(\lambda) = \mathbf{1} + \mathcal{O}(\lambda^{-\frac{1}{2}})$  leaves the freedom of multiplying on the left by the two-parameter family of matrices indicated in (2.33). The normalization (2.29)  $b_n = 0, d_n = 0$  fixes uniquely the gauge arbitrariness implied by (2.33).

## 2.4 Proof of Theorem 1.5

### 2.4.1 The Malgrange differential and the tau function

If  $\Psi_0(\lambda) = \Psi(\lambda)$  is the sectionally analytic solution to the ODE (1.14) defined in (2.18) and  $\vartheta$  is as in (1.16), then by Proposition 2.9  $\Gamma_0 := \Psi_0 e^{-\vartheta}$  solves the Riemann-Hilbert Problem 2.14 for  $n = 0$  (the gauge factor explained in 2.16 is 1). Then, the matrix  $\Psi_n = \Psi_n(\lambda; \vec{\lambda}, \vec{\mu})$  defined as

$$\Psi_n := \Gamma_n D_n^{-1} e^{\vartheta} \quad (2.34)$$

$\vartheta$  as in (1.16), satisfies a Riemann-Hilbert problem of the form

$$\begin{cases} \Psi_{n+}(\lambda) = \Psi_{n-}(\lambda) \widetilde{M} & \lambda \in \Sigma \\ \Psi_n(\lambda) \sim \lambda^S G Y_n(\lambda) \lambda^L D_n^{-1} e^{\vartheta(\lambda)} & \lambda \rightarrow \infty. \end{cases} \quad (2.35)$$

It is now a simple exercise (see Prop. 2.18 below) to show that  $\Psi_n(\lambda) = R_n(\lambda) \Psi_0(\lambda)$  with  $R_n(\lambda)$  rational in  $\lambda$ . This is (with the generalization of the parameters  $\vec{\mu}$ ) the matrix  $\Psi_n$  mentioned in the Introduction (Sec. 1.2).

Since the jumps  $\widetilde{M}$  in (2.35) do not depend on  $\lambda, \vec{\lambda}, \vec{\mu}$  it follows also that  $\Psi_n$  satisfies a compatible system of linear differential equations together with its zero-curvature equations

$$\begin{cases} \partial_\lambda \Psi_n = A_n \Psi_n \\ \delta \Psi_n = \Omega_n \Psi_n \end{cases} \quad \begin{cases} \delta A_n = \partial_\lambda \Omega_n + [\Omega_n, A_n] \\ \delta \Omega_n = \Omega_n \wedge \Omega_n \end{cases} \quad (2.36)$$

where we have introduced the differential in the parameters  $\vec{\lambda}, \vec{\mu}$

$$\delta := \sum_{j=1}^{n_1} d\lambda_j \partial_{\lambda_j} + \sum_{j=1}^{n_2} d\mu_j \partial_{\mu_j}. \quad (2.37)$$

The system (2.36) is an isomonodromic system in the sense of [JMU81]. To this system we associate the *Malgrange differential* in the  $\{\vec{\lambda}, \vec{\mu}\}$ -space

$$\omega_n := \int_{\Sigma} \frac{d\lambda}{2\pi i} \text{Tr} (\Gamma_n^{-1} - \Gamma_n' \delta M_n M_n^{-1}), \quad ' := \partial_\lambda. \quad (2.38)$$

The Malgrange differential  $\omega_n$  is  $\delta$ -closed [Ber10] and we introduce the isomonodromic tau function  $\tau_n(\vec{\lambda}, \vec{\mu}; N)$  by

$$\delta \log \tau_n = \omega_n. \quad (2.39)$$

This definition generalizes the original definition of [JMU81]; we refer to [Ber10] for the relation between the two definitions and from now on we work with the definition (2.39) (however, compare with Prop. 3.6).

**Remark 2.17.** *Since the jump  $M_n$  along  $\mathbb{R}_-$  does not depend on any of the parameters, the integration in (2.38) extends to the three rays  $e^{i\beta_0, \pm \mathbb{R}_+}$  only.*

#### 2.4.2 The Schlesinger transform and the characteristic matrix

Introduce the so-called *Schlesinger transform matrix*  $R_n := \Gamma_n D_n^{-1} \Gamma_0^{-1}$ , so that  $\Gamma_n = R_n \Gamma_0 D_n$ .

**Proposition 2.18.** *The matrix  $R_n$  is a rational function of  $\lambda$ , with simple poles at  $\lambda \in \vec{\lambda}, \vec{\mu}$  only.*

**Proof.** First of all the matrix  $R_n$  has no jump discontinuities for  $\lambda \in \Sigma$ , as

$$R_{n+} = \Gamma_{n+} D_{n+}^{-1} \Gamma_{0+}^{-1} = \Gamma_{n-} M_n D_{n+}^{-1} M_0^{-1} \Gamma_{0-}^{-1} = \Gamma_{n-} D_{n-}^{-1} \Gamma_{0-}^{-1} = R_{n-}. \quad (2.40)$$

Secondly, from its definition it immediately follows that the points  $\lambda_j, \mu_j$  are simple poles since both  $\Gamma_n$  and  $\Gamma_0^{-1}$  are locally analytic at these points. It follows that  $R_n$  is a meromorphic function with simple poles only as indicated. Note also that, using the symmetry (2.31) for the asymptotic expansions of  $\Gamma_n, \Gamma_0$  and the explicit expression of  $D_n$  (2.26), one can directly check that  $R_n(\lambda)$  has an expansion in integer powers with at most linear growth in  $\lambda$  at  $\lambda = \infty$ . The conclusion follows from Liouville's theorem. ■

Next, we relate the Schlesinger transform matrix  $R := R_n$  (we drop the subscript  $n$  for brevity) to the solution to a suitable Riemann-Hilbert problem. Define disks on the Riemann sphere

$$\mathbf{D}_\zeta := \{|\lambda - \zeta| < \rho\}, \quad \zeta \in \vec{\lambda}, \vec{\mu}, \quad \mathbf{D}_\infty := \{|\lambda| > \rho^{-1}\} \quad (2.41)$$

where we take  $\rho > 0$  small enough so that these disks are pairwise disjoint and disjoint from  $\Sigma$ . Let us define also

$$\mathbf{D}_+ := \mathbf{D}_\infty \sqcup \left( \bigsqcup_{\zeta \in \vec{\lambda}, \vec{\mu}} \mathbf{D}_\zeta \right), \quad \mathbf{D}_- := \mathbb{C} \setminus \overline{\mathbf{D}_+}, \quad \sigma := \partial \mathbf{D}_- \sqcup (\Sigma \cap \mathbf{D}_\infty) \quad (2.42)$$

with the natural orientation, as shown in figure 2.

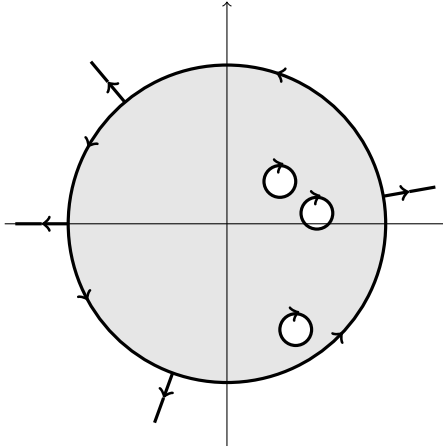


Figure 2: Contour  $\sigma$  for Riemann–Hilbert problem 2.19. The shaded region is  $\mathbf{D}_-$ .

It is convenient to relate the matrix  $R$  to the following Riemann–Hilbert problem.

**Riemann–Hilbert Problem 2.19.** Find a  $\text{Mat}(3, \mathbb{C})$ -valued function  $\mathbf{R}(\lambda)$  analytic in  $\lambda \in \mathbb{C} \setminus \sigma$  admitting non-tangential boundary values  $\mathbf{R}_\pm(\lambda)$  at  $\sigma$  satisfying

$$\begin{cases} \mathbf{R}_+(\lambda) = \mathbf{R}_-(\lambda)\mathbf{J}(\lambda) & \lambda \in \sigma \\ \mathbf{R}(\lambda) = \mathbf{1} + \mathcal{O}(\lambda^{-1}) & \lambda \rightarrow \infty \end{cases} \quad (2.43)$$

where the jump matrix  $\mathbf{J}(\lambda) = \mathbf{J}_n(\lambda; \vec{\lambda}, \vec{\mu})$  is piecewise defined on  $\sigma$  as

$$\mathbf{J}(\lambda) = \begin{cases} \mathbf{J}_\zeta(\lambda) := \Gamma_0(\lambda)(\zeta - \lambda)^{E_{33}}, & \lambda \in \partial\mathbf{D}_\zeta, \zeta \in \vec{\lambda} \\ \mathbf{J}_\zeta(\lambda) := \Gamma_0(\lambda)(\zeta - \lambda)^{E_{22}}, & \lambda \in \partial\mathbf{D}_\zeta, \zeta \in \vec{\mu} \\ \mathbf{J}_\infty(\lambda) := \Gamma_0(\lambda)D_n(\lambda)\lambda^{-L}G^{-1}\lambda^{-S}, & \lambda \in \partial\mathbf{D}_\infty \\ \mathbf{J}_\Sigma(\lambda) := \lambda_-^S G \lambda_-^L M_n(\lambda) \lambda_+^{-L} G^{-1} \lambda_+^{-S}, & \lambda \in \Sigma \cap \mathbf{D}_\infty. \end{cases} \quad (2.44)$$

Hereafter,  $E_{ab}$  denotes the elementary unit matrix  $(E_{ab})_{ij} := \delta_{ia}\delta_{jb}$ .

**Remark 2.20.** Notice that there is no jump due to formal monodromy, i.e.  $\mathbf{J}|_{\mathbb{R}_- \cap \mathbf{D}_\infty} = \mathbf{1}$ . Furthermore, we have  $\mathbf{J}|_{\Sigma \cap \mathbf{D}_\infty} = \mathbf{1} + \mathcal{O}(\lambda^{-\infty})$ .

The explicit relation of  $R$  and  $\mathbf{R}$  is provided in the next proposition.

**Proposition 2.21.** The solution  $\mathbf{R}(\lambda)$  to Riemann-Hilbert problem 2.19, if it exists, is unique. The Schlesinger transform  $R$  satisfies  $R|_{\mathbf{D}_-} = (\mathbf{1} + c_n E_{32})\mathbf{R}|_{\mathbf{D}_-}$ , with  $c_n$  as in (2.29) and  $E_{32}$  the elementary unit matrix.

**Proof.** Given two different solutions, their matrix ratio has no jump on  $\sigma$  so it is entire in the  $\lambda$ -plane and asymptotic to  $\mathbf{1}$  at  $\lambda = \infty$ ; it follows that it equals identically  $\mathbf{1}$  by Liouville Theorem. Next we define

$$\tilde{\mathbf{R}}(\lambda) := \begin{cases} \Gamma_n(\lambda)D_n^{-1}(\lambda)(\zeta - \lambda)^{E_{33}}, & \lambda \in \mathbf{D}_\zeta, \zeta \in \vec{\lambda} \\ \Gamma_n(\lambda)D_n^{-1}(\lambda)(\zeta - \lambda)^{E_{22}}, & \lambda \in \mathbf{D}_\zeta, \zeta \in \vec{\mu} \\ \Gamma_n(\lambda)D_n^{-1}(\lambda)\Gamma_0^{-1}(\lambda), & \lambda \in \mathbf{D}_- \\ \Gamma_n(\lambda)\lambda^{-L}G^{-1}\lambda^{-S}, & \lambda \in \mathbf{D}_\infty \setminus \Sigma. \end{cases} \quad (2.45)$$

$\tilde{\mathbf{R}}$  satisfies the jump condition  $\tilde{\mathbf{R}}_+ = \tilde{\mathbf{R}}_- \mathbf{J}$  along  $\sigma$ . From the last line of (2.45) we infer that as  $\lambda \rightarrow \infty$  in any of the sectors  $I, \dots, IV$

$$\tilde{\mathbf{R}}(\lambda) \sim \lambda^S G Y_n(\lambda) G^{-1} \lambda^{-S} = (\mathbf{1} + c_n E_{32})(\mathbf{1} + \mathcal{O}(\lambda^{-1})) \quad (2.46)$$

with  $c_n$  is the coefficient appearing in the expansion (2.29). Hence  $\mathbf{R} := (\mathbf{1} - c_n E_{32})\tilde{\mathbf{R}}$  solves Riemann-Hilbert problem 2.19. The proof is completed by observing directly from (2.45) that  $\tilde{\mathbf{R}}|_{\mathbf{D}_-} = R|_{\mathbf{D}_-}$ .  $\blacksquare$

**Lemma 2.22.** The jump matrix  $\mathbf{J}(\lambda)$  (2.44) admits formal meromorphic extension in  $\mathbf{D}_+$ . More precisely

$$\begin{cases} \mathbf{J}_\zeta(\lambda) = \Gamma_0(\zeta)(\lambda - \zeta)^{E_{33}}(\mathbf{1} + \mathcal{O}(\lambda - \zeta)), & \zeta \in \vec{\lambda} \\ \mathbf{J}_\zeta(\lambda) = \Gamma_0(\zeta)(\lambda - \zeta)^{E_{22}}(\mathbf{1} + \mathcal{O}(\lambda - \zeta)), & \zeta \in \vec{\mu} \\ \mathbf{J}_\infty(\lambda) = G_\infty(\lambda)H_\infty(\lambda) \\ \mathbf{J}_\Sigma(\lambda) = \mathbf{1} + \mathcal{O}(\lambda^{-\infty}) \end{cases} \quad (2.47)$$

where

$$H_\infty := \lambda^S G \begin{bmatrix} 1 & 0 & 0 \\ 0 & (-1)^n \lambda^{\frac{n}{2}} & 0 \\ 0 & 0 & \lambda^{\frac{n}{2}} \end{bmatrix} G^{-1} \lambda^{-S} = \begin{cases} \begin{bmatrix} 1 & 0 & 0 \\ 0 & \lambda^{\frac{n}{2}} & 0 \\ 0 & 0 & \lambda^{\frac{n}{2}} \end{bmatrix} & n \text{ even} \\ \begin{bmatrix} 1 & 0 & 0 \\ 0 & 0 & \lambda^{\frac{n-1}{2}} \\ 0 & \lambda^{\frac{n+1}{2}} & 0 \end{bmatrix} & n \text{ odd} \end{cases} \quad (2.48)$$

and  $G_\infty := \mathbf{J}_\infty H_\infty^{-1}$  is formally analytic at  $\lambda = \infty$ .

**Proof.** The only nontrivial expansion is that of  $\mathbf{J}_\infty$ . However, using the symmetry (2.31), it is easy to check that the matrix  $G_\infty$

$$G_\infty = \mathbf{J}_\infty H_\infty^{-1} = \Gamma_0 \lambda^{-L} \tilde{D}_n G^{-1} \lambda^{-S} \sim \lambda^S G Y_0 \tilde{D}_n G^{-1} \lambda^{-S} \quad (2.49)$$

$$\tilde{D}_n := D_n \text{diag}(1, (-1)^n \lambda^{-\frac{n}{2}}, \lambda^{-\frac{n}{2}}) \quad (2.50)$$

has an expansion in integer powers of  $\lambda$  only. ■

We need to apply the results of [BC15], which we recall now. Let us introduce  $\mathcal{H} := L^2(\partial\mathbf{D}_+, |d\lambda|) \otimes \mathbb{C}^3$ , where  $\mathbb{C}^3$  are row-vectors. The space  $\mathcal{H}$  is isomorphic to the direct sum of  $n+1$  copies of  $L^2(S^1) \otimes \mathbb{C}^3$ , i.e.  $\mathcal{H}$  has a basis given by

$$(\lambda - \zeta)^r \chi_{\partial\mathbf{D}_\zeta}(\lambda) \mathbf{e}_j^\top, \quad \lambda^{-r-1} \chi_{\partial\mathbf{D}_\infty}(\lambda) \mathbf{e}_j^\top, \quad r \in \mathbb{Z}, j \in \{1, 2, 3\}, \zeta \in \vec{\lambda}, \vec{\mu} \quad (2.51)$$

where  $\mathbf{e}_j$  is the standard basis of column-vectors in  $\mathbb{C}^3$  and  $\chi_X(\lambda)$  the indicator function of the set  $X$ . Consider the subspace  $\mathcal{H}_+$  consisting of row-vectors which are analytic in  $\mathbf{D}_+$  and vanish at  $\lambda = \infty$ ; equivalently,  $\mathcal{H}_+$  has a basis given by (2.51) restricted to  $r \geq 0$ . Let  $\mathcal{C}_\pm : \mathcal{H} \rightarrow \mathcal{H}$  the projectors defined by the Cauchy integrals

$$\mathcal{C}_\pm[f](\lambda) := \oint_{\partial\mathbf{D}_\pm} \frac{d\lambda'}{2\pi i} \frac{f(\lambda')}{\lambda' - \lambda_\pm}. \quad (2.52)$$

The range of  $\mathcal{C}_+$  is  $\mathcal{H}_+$  and we denote by  $\mathcal{H}_-$  the range of  $\mathcal{C}_-$ , namely, functions that admit analytic extension to  $\mathbf{D}_-$ ; from the Sokhotski-Plemelji formula  $\mathcal{C}_+ + \mathcal{C}_- = \text{Id}$ , it follows that  $\pm\mathcal{C}_\pm : \mathcal{H} \rightarrow \mathcal{H}_\pm$  are complementary projectors. Introduce the following subspaces of  $\mathcal{H}_-$

$$V := \mathcal{C}_-[\mathcal{H}_+ \mathbf{J}^{-1}], \quad W := \mathcal{C}_-[\mathcal{H}_+ \mathbf{J}]. \quad (2.53)$$

Then  $\{v_\zeta\}_{\zeta \in \vec{\lambda}, \vec{\mu}}$  and  $\{w_\ell\}_{\ell=1}^n$  defined as

$$v_\zeta := \begin{cases} \mathbf{e}_3^\top \frac{\Gamma_0^{-1}(\zeta)}{\lambda - \zeta}, & \zeta \in \vec{\lambda} \\ \mathbf{e}_2^\top \frac{\Gamma_0^{-1}(\zeta)}{\lambda - \zeta}, & \zeta \in \vec{\mu} \end{cases} \quad \begin{cases} w_{2m+1} := \lambda^m \mathbf{e}_2^\top, & m = 0, \dots, \lfloor \frac{n-1}{2} \rfloor \\ w_{2m+2} := \lambda^m \mathbf{e}_3^\top, & m = 0, \dots, \lfloor \frac{n-2}{2} \rfloor \end{cases} \quad (2.54)$$

are bases of  $V$  and  $W$  respectively. To prove that  $\{w_\ell\}_{\ell=1}^n$  is a basis of  $W$  we use that  $G_\infty(\lambda)$  is formally analytic with formally analytic inverse at  $\lambda = \infty$  so that  $W = \mathcal{C}_-[\mathcal{H}_+ H_\infty]$ , where  $H_\infty(\lambda)$  is as in (2.48). The linear operator

$$\mathbb{G} : V \rightarrow W : v \mapsto \mathcal{C}_-[v\mathbf{J}] \quad (2.55)$$

is well defined. The invertibility of  $\mathbb{G}$  is equivalent to the existence of the solution  $\mathbf{R}$  of the Riemann–Hilbert problem 2.19 (equivalently, the existence of the solution to the Riemann–Hilbert problem 2.14) [BC15]; in fact the inverse is given by

$$\mathbb{G}^{-1} : W \rightarrow V : w \mapsto \mathcal{C}_-[w\mathbf{J}^{-1}\mathbf{R}^{-1}]\mathbf{R}. \quad (2.56)$$

By expressing the operator  $\mathbb{G}$  in the bases (2.54) we obtain the *characteristic matrix*  $\mathbf{G} = (\mathbf{G}_{k,\ell})_{k,\ell=1}^n$

$$\mathbf{G}_{k,\ell} := \begin{bmatrix} \left[ \operatorname{res}_{\lambda=\infty} \frac{\lambda^{\lfloor \frac{\ell-1}{2} \rfloor}}{\lambda - \lambda_k} \mathbf{e}_3^\top \Gamma_0^{-1}(\lambda_k) G_\infty(\lambda) \mathbf{e}_{2+(\ell \bmod 2)} \right]_{k=1,\dots,n_1} \\ \left[ \operatorname{res}_{\lambda=\infty} \frac{\lambda^{\lfloor \frac{\ell-1}{2} \rfloor}}{\lambda - \mu_k} \mathbf{e}_2^\top \Gamma_0^{-1}(\mu_k) G_\infty(\lambda) \mathbf{e}_{2+(\ell \bmod 2)} \right]_{k=1,\dots,n_2} \end{bmatrix}_{\ell=1,\dots,n}. \quad (2.57)$$

Therefore the solvability of the Riemann–Hilbert problems 2.19, 2.14 is equivalent to the non-vanishing of the determinant of the matrix  $\mathbf{G}$ .

The result which we need to recall, adapted to our case, is the following

**Theorem 2.23.** *The following variational formula holds*

$$\delta \log \det \mathbf{G} = \int_{\partial \mathbf{D}_-} \frac{d\lambda}{2\pi i} \operatorname{Tr} (\mathbf{R}^{-1} \mathbf{R}' \delta \mathbf{J} \mathbf{J}^{-1}) + \sum_{\zeta \in \vec{\lambda}, \vec{\mu}} \operatorname{res}_{\lambda=\zeta} \operatorname{Tr} \left( \Gamma_0^{-1} \Gamma_0' \delta U_\zeta U_\zeta^{-1} d\lambda \right) \quad (2.58)$$

where  $\delta$  is the variation (2.37) and

$$U_\zeta := \begin{cases} (\lambda - \zeta)^{\mathbf{E}_{33}}, & \zeta \in \vec{\lambda} \\ (\lambda - \zeta)^{\mathbf{E}_{22}}, & \zeta \in \vec{\mu} \end{cases} \quad (2.59)$$

and  $\int_{\partial \mathbf{D}_-} \frac{d\lambda}{2\pi i}$  is understood as the sum over the (formal) residues at  $\lambda \in \{\vec{\lambda}, \vec{\mu}, \infty\}$ .

For the proof see [BC15, Theorem B.1].

Central to the proof of Theorem 1.5, and more generally of Theorem 2.27, is the following Proposition.

**Proposition 2.24.** *The following formula holds*

$$\det \mathbf{G} = \pm e^{Q(\vec{\lambda}, \vec{\mu})} \det \begin{bmatrix} \left[ \omega^{N+\frac{1}{2}} f^{(j-1)}(\omega^{-1} \lambda_k; N) \right]_{1 \leq k \leq n_1, \lambda_k \in I} \\ \left[ f^{(j-1)}(\lambda_k; N) \right]_{1 \leq k \leq n_1, \lambda_k \in II \cup III} \\ \left[ \omega^{-N-\frac{1}{2}} f^{(j-1)}(\omega \lambda_k; N) \right]_{1 \leq k \leq n_1, \lambda_k \in IV} \\ \left[ \omega^{\frac{N}{2}+\frac{1}{4}} f^{(j-1)}(\omega \mu_k; N) \right]_{n_1+1 \leq k \leq n, \mu_k \in I \cup II} \\ \left[ \omega^{-\frac{N}{2}-\frac{1}{4}} f^{(j-1)}(\omega^{-1} \mu_k; N) \right]_{n_1+1 \leq k \leq n, \mu_k \in III \cup IV} \end{bmatrix}_{1 \leq j \leq n} \quad (2.60)$$

where  $Q(\vec{\lambda}, \vec{\mu})$  has been defined in (2.24) and the explicit sign is irrelevant to our purposes.

The proof is found in Appendix B.

**Remark 2.25.** *The determinant on the right side of (2.60) is the restriction of an entire function of  $\vec{\lambda}, \vec{\mu}$  to specific sectors; therefore its zero-locus is a divisor that includes the “diagonals”  $\lambda_j = \lambda_k, \mu_j = \mu_k$  ( $j \neq k$ ). In general it contains other components. Recall that  $\mathbf{G}$  is a matrix representing the operator  $\mathbb{G}$  (2.55), and that its invertibility is equivalent to the solvability of Riemann–Hilbert problems 2.14, 2.19. Therefore the Riemann–Hilbert problem 2.14 is generically solvable.*

### 2.4.3 Conclusion of the proof

**Proposition 2.26.** *The Malgrange differential  $\omega_n$  introduced in (2.38) is*

$$\omega_n = \delta \log \left( \Delta(\vec{\lambda}, \vec{\mu}; N) \det \mathbf{G} \right) \quad (2.61)$$

where  $\Delta(\vec{\lambda}, \vec{\mu}; N)$  has been defined in (2.25).

**Proof.** Denote  $R := R_n$ ,  $D := D_n$ . From  $\Gamma_n = R\Gamma_0 D$  and  $M_n = D^{-1}M_0 D$  one obtains

$$\begin{aligned} \Gamma_n^{-1}\Gamma'_n &= D^{-1}\Gamma_0^{-1}R^{-1}R'\Gamma_0 D + D^{-1}\Gamma_0^{-1}\Gamma'_0 D + D^{-1}D' \\ \delta M_n M_n^{-1} &= D^{-1}M_0 \delta D D^{-1} M_0^{-1} D - D^{-1} \delta D \end{aligned} \quad (2.62)$$

so that using (2.62) and the cyclicity of the trace,

$$\begin{aligned} \text{Tr}(\Gamma_n^{-1}\Gamma'_n \delta M_n M_n^{-1}) &= \text{Tr}(\Gamma_0^{-1}R^{-1}R'\Gamma_0 M_0 \delta D D^{-1} M_0^{-1} - D^{-1}\Gamma_0^{-1}R^{-1}R'\Gamma_0 \delta D + \\ &+ \Gamma_0^{-1}\Gamma'_0 M_0 \delta D D^{-1} M_0^{-1} - D^{-1}\Gamma_0^{-1}\Gamma'_0 \delta D + D' D^{-1} M_0 \delta D D^{-1} M_0^{-1} - D^{-1} D' D^{-1} \delta D) \end{aligned} \quad (2.63)$$

It is easy to check, thanks to the block-triangular structure of  $M_0$  in (2.27), that the last two terms above are traceless and thus drop out. The remaining terms can be rewritten, using  $\Gamma_{0+} = \Gamma_0 M_0$ ,  $\Gamma'_{0+} = \Gamma'_0 M_0 + \Gamma_0 M'_0$ , as

$$\begin{aligned} \text{Tr}(R^{-1}R'\Gamma_{0+} \delta D D^{-1} \Gamma_{0+}^{-1} - R^{-1}R'\Gamma_0 \delta D D^{-1} \Gamma_0^{-1} + \Gamma_{0+}^{-1} \Gamma'_{0+} \delta D D^{-1} - M_0^{-1} M'_0 \delta D D^{-1} + \\ - \Gamma_0^{-1} \Gamma'_0 \delta D D^{-1}) = \Delta [\text{Tr}(R^{-1}R'\Gamma_0 \delta D D^{-1} \Gamma_0^{-1} + \Gamma_0^{-1} \Gamma'_0 \delta D D^{-1})] \end{aligned} \quad (2.64)$$

where  $\Delta$  is the jump operator  $\Delta[f] = f_+ - f_-$  and we have used  $\text{Tr}(M_0^{-1} M'_0 \delta D D^{-1}) = 0$ . Let us call  $\Sigma' := \Sigma \setminus \mathbb{R}_-$  (see Remark 2.17) and let  $\tilde{\Sigma}$  be the contour depicted in figure 3, which has the property that  $\int_{\Sigma'} d\lambda \Delta[f] = \int_{\tilde{\Sigma}} d\lambda f$ , so that

$$\begin{aligned} \omega_n &= \int_{\Sigma'} \frac{d\lambda}{2\pi i} \Delta [\text{Tr}(R^{-1}R'\Gamma_0 \delta D D^{-1} \Gamma_0^{-1} + \Gamma_0^{-1} \Gamma'_0 \delta D D^{-1})] = \\ &= \int_{\tilde{\Sigma}} \frac{d\lambda}{2\pi i} \text{Tr}(R^{-1}R'\Gamma_0 \delta D D^{-1} \Gamma_0^{-1} + \Gamma_0^{-1} \Gamma'_0 \delta D D^{-1}). \end{aligned} \quad (2.65)$$

Applying Cauchy's Theorem we can deform  $\tilde{\Sigma}$  as in figure 3 so that finally

$$\omega_n = \int_{\partial \mathbf{D}_-} \frac{d\lambda}{2\pi i} \text{Tr}(R^{-1}R'\Gamma_0 \delta D D^{-1} \Gamma_0^{-1} + \Gamma_0^{-1} \Gamma'_0 \delta D D^{-1}) \quad (2.66)$$

with the understanding that  $\int_{\partial \mathbf{D}_-} \frac{d\lambda}{2\pi i}$  is the sum over the (formal) residues at  $\lambda \in \{\vec{\lambda}, \vec{\mu}, \infty\}$ . We want to compare now the last expression (2.66) for  $\omega_n$  with (2.58). To this end we recall the identities

$$\delta \mathbf{J}_\infty \mathbf{J}_\infty^{-1} = \Gamma_0 \delta D D^{-1} \Gamma_0^{-1} \quad \delta \mathbf{J}_\zeta \mathbf{J}_\zeta^{-1} = \Gamma_0 \delta U_\zeta U_\zeta^{-1} \Gamma_0^{-1} \quad (2.67)$$

where  $U_\zeta$  has been defined in (2.59), and the identities

$$\text{res}_{\lambda=\zeta} \Gamma_0^{-1} \Gamma'_0 \delta D D^{-1} = \text{res}_{\lambda=\zeta} \Gamma_0^{-1} \Gamma'_0 \delta U_\zeta U_\zeta^{-1}, \quad \zeta \in \vec{\lambda}, \vec{\mu} \quad (2.68)$$

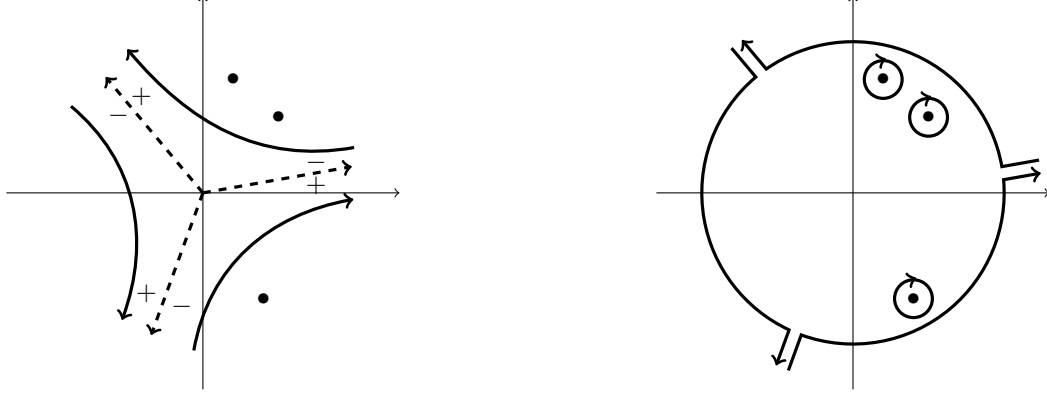


Figure 3: On the left, contour  $\Sigma'$  (dashed) and  $\tilde{\Sigma}$  such that  $\int_{\Sigma'} d\lambda (f_+ - f_-) = \int_{\tilde{\Sigma}} d\lambda f$ ;  $\tilde{\Sigma}$  must leave all poles of  $f$  (the dots in the picture) on the right. On the right, the deformation of  $\tilde{\Sigma}$  using the Cauchy Theorem.

which follow from  $\frac{d\sqrt{\zeta}}{\sqrt{\zeta}-\sqrt{\lambda}} = \frac{d\zeta}{\zeta-\lambda} + \mathcal{O}(1)$  as  $\lambda \rightarrow \zeta$ . Replacing  $R = (\mathbf{1} + cE_{32})\mathbf{R}$  (Proposition 2.21) we obtain

$$\omega_n - \delta \log \det \mathbf{G} = - \sum_{\lambda \in \vec{\lambda}, \vec{\mu}} \operatorname{res}_{\lambda=\zeta} \operatorname{Tr} \left( R^{-1} R' \Gamma_0 \left( \delta D D^{-1} - \delta U_\zeta U_\zeta^{-1} \right) \Gamma_0^{-1} \right) + \operatorname{res}_{\lambda=\infty} \operatorname{Tr} \left( \Gamma_0^{-1} \Gamma_0' \delta D D^{-1} \right). \quad (2.69)$$

A simple computation for the last term in (2.69) shows that

$$\operatorname{res}_{\lambda=\infty} \operatorname{Tr} \left( \Gamma_0^{-1} \Gamma_0' \delta D D^{-1} \right) = -\operatorname{Tr} \left( (S + L) E_{11} \right) \delta \alpha \alpha^{-1} = N \sum_{\zeta \in \vec{\lambda}, \vec{\mu}} \frac{d\sqrt{\zeta}}{\sqrt{\zeta}}. \quad (2.70)$$

Define  $T_\zeta := U_\zeta^{-1} D$  and  $R_+ := R \Gamma_0 U_\zeta$ , for  $\zeta \in \vec{\lambda}, \vec{\mu}$ . Notice that  $T_\zeta, R_+$  are analytic at  $\lambda \in \vec{\lambda}, \vec{\mu}$  and that  $\delta D D^{-1} - \delta U_\zeta U_\zeta^{-1} = \delta T_\zeta T_\zeta^{-1}$  and so for all  $\zeta \in \vec{\lambda}, \vec{\mu}$

$$\begin{aligned} \operatorname{res}_{\lambda=\zeta} \operatorname{Tr} \left( R^{-1} R' \Gamma_0 \delta T_\zeta T_\zeta^{-1} \Gamma_0^{-1} \right) &= \operatorname{res}_{\lambda=\zeta} \operatorname{Tr} \left( (U_\zeta^{-1} \Gamma_0^{-1} R^{-1}) (R' \Gamma_0 U_\zeta) \delta T_\zeta T_\zeta^{-1} \right) = \\ &= \operatorname{res}_{\lambda=\zeta} \operatorname{Tr} \left( (U_\zeta^{-1} \Gamma_0^{-1} R^{-1}) \left( (R \Gamma_0 U_\zeta)' - R \Gamma_0' U_\zeta - R \Gamma_0 U_\zeta' \right) \delta T_\zeta T_\zeta^{-1} \right) = \\ &= \underbrace{\operatorname{res}_{\lambda=\zeta} \operatorname{Tr} \left( R_+^{-1} R_+' \delta T_\zeta T_\zeta^{-1} \right)}_{=0} - \underbrace{\operatorname{res}_{\lambda=\zeta} \operatorname{Tr} \left( \Gamma_0^{-1} \Gamma_0' \delta T_\zeta T_\zeta^{-1} \right)}_{=0} - \operatorname{res}_{\lambda=\zeta} \operatorname{Tr} \left( U_\zeta^{-1} U_\zeta' \delta T_\zeta T_\zeta^{-1} \right) = \\ &= \operatorname{res}_{\lambda=\zeta} \frac{1}{\lambda - \zeta} \sum_{\zeta' \in \vec{\lambda}, \vec{\mu}} \frac{d\sqrt{\zeta'}}{\sqrt{\zeta'} - \sqrt{\lambda}}. \end{aligned} \quad (2.71)$$

To summarize, we have proved

$$\omega_n = \delta \log \det \mathbf{G} + \sum_{\zeta \in \vec{\lambda}, \vec{\mu}} \operatorname{res}_{\lambda=\zeta} \frac{1}{\lambda - \zeta} \sum_{\zeta' \in \vec{\lambda}, \vec{\mu}} \frac{d\sqrt{\zeta'}}{\sqrt{\zeta'} - \sqrt{\lambda}} + N \sum_{\zeta \in \vec{\lambda}, \vec{\mu}} \frac{d\sqrt{\zeta}}{\sqrt{\zeta}} = \delta \log \det \mathbf{G} + \delta \log \Delta \quad (2.72)$$



which completes the proof.  $\blacksquare$

**Theorem 2.27.** *The extended Kontsevich–Penner partition function coincides with the isomonodromic tau function:*

$$\mathcal{Z}_n(\vec{\lambda}, \vec{\mu}; N) = \tau_n(\vec{\lambda}, \vec{\mu}; N). \quad (2.73)$$

**Proof.** Comparing (2.60) and (2.61) with (2.23) we get  $\delta \log \tau_n(\vec{\lambda}, \vec{\mu}; N) = \omega_n = \delta \log \mathcal{Z}_n(\vec{\lambda}, \vec{\mu}; N)$  so that  $\tau_n(\vec{\lambda}, \vec{\mu}; N)$  coincides with  $\mathcal{Z}_n(\vec{\lambda}, \vec{\mu}; N)$  up to multiplicative constants. The proof is complete, as the tau function is defined only up to arbitrary multiplicative constants.  $\blacksquare$

This in particular proves Theorem 1.5, which is the case  $n_2 = 0, n = n_1$  of Thm. 2.27.

## 3 The limiting isomonodromic system

### 3.1 The limiting isomonodromic system, and the limiting tau function

As outlined in Sec. 1.3 of the Introduction, we formulate an isomonodromic system such that its isomonodromic tau function  $\tau(\mathbf{T}; N)$  coincides with the asymptotic expansion  $\mathcal{Z}(\mathbf{T}; N)$  (see Prop. 3.3).

The arguments which follow are of a formal nature; however they are intended only to provide motivation for the formulation of the Riemann–Hilbert problem. After the formal discussion we explain some minimal requirements such that the Riemann–Hilbert problem 3.1 has a consistent analytic meaning and show how to identify it with the formal limit and hence also identify the corresponding tau function with the limiting partition function  $\mathcal{Z}(\mathbf{T}; N)$ .

The products  $\pi_{\pm}$  in (2.26) can be rewritten formally as

$$\frac{\alpha}{\pi_+} = \exp \sum_{k \geq 1} (-1)^k T_k \lambda^{\frac{k}{2}}, \quad \frac{\alpha}{\pi_-} = \exp \sum_{k \geq 1} T_k \lambda^{\frac{k}{2}} \quad (3.1)$$

where  $\alpha$  is as in (2.26) and we have introduced the *Miwa variables*  $\mathbf{T} = (T_1, T_2, \dots)$

$$T_k(\vec{\lambda}, \vec{\mu}) := \frac{1}{k} \sum_{j=1}^{n_1} \left( \frac{1}{\sqrt{\lambda_j}} \right)^k + \frac{1}{k} \sum_{j=1}^{n_2} \left( \frac{1}{-\sqrt{\mu_j}} \right)^k = \frac{1}{k} \sum_{j=1}^n \frac{1}{y_j^k} = \frac{1}{k} \text{Tr } Y^{-k}. \quad (3.2)$$

Consequently, the matrix  $D_n$  can be rewritten formally as

$$D_n^{-1} = \alpha^{-1} \exp \sum_{k \geq 1} T_k \lambda^{\frac{k}{2}} \theta_k \quad \theta_k := \text{diag}(0, (-1)^k, 1). \quad (3.3)$$

More precisely, the expression above is actually convergent for  $|\lambda| < \min\{|\lambda_j|, |\mu_j|\}$ .

Note that  $D_n$  acts by conjugation on the jumps of  $\Gamma_n$  and hence the scalar constant  $\alpha$  in (3.3) is irrelevant. In the limit  $n \rightarrow \infty$  we can formally consider the variables  $T_1, T_2, \dots$  as independent. We then arrive at a (formal) limit of the Riemann–Hilbert problem (2.35) (dropping  $\alpha$  as explained above) for the matrix

$$\Psi(\lambda; \mathbf{T}) = \Gamma(\lambda; \mathbf{T}) e^{\Theta(\lambda; \mathbf{T})}, \quad \Theta(\lambda; \mathbf{T}) := \sum_{k \geq 1} \left( T_k + \frac{2}{3} \delta_{k,3} \right) \lambda^{\frac{k}{2}} \theta_k. \quad (3.4)$$

Consequently, the matrix  $\Gamma(\lambda; \mathbf{T})$  solves a new Riemann–Hilbert problem as follows:

**Formal Riemann-Hilbert Problem 3.1.** Let  $\mathbf{T}$  denote the infinite set of variables  $\mathbf{T} = (T_1, T_2, \dots)$ . The formal Riemann-Hilbert problem amounts to finding a  $3 \times 3$  analytic matrix-valued function  $\Gamma = \Gamma(\lambda; \mathbf{T})$  in  $\lambda \in \mathbb{C} \setminus \Sigma$  admitting non-tangential boundary values  $\Gamma_{\pm}$  at  $\Sigma$  such that

$$\begin{cases} \Gamma_+(\lambda; \mathbf{T}) = \Gamma_-(\lambda; \mathbf{T})M(\lambda; \mathbf{T}) & \lambda \in \Sigma \\ \Gamma(\lambda; \mathbf{T}) \sim \lambda^S G Y(\lambda; \mathbf{T}) \lambda^L & \lambda \rightarrow \infty \end{cases} \quad (3.5)$$

where  $M(\lambda; \mathbf{T}) := e^{\Theta(\lambda; \mathbf{T})_-} \widetilde{M} e^{-\Theta(\lambda; \mathbf{T})_+}$ ,  $\widetilde{M}$  as in (2.21), and  $Y(\lambda; \mathbf{T})$  is a formal power series in  $\lambda^{-\frac{1}{2}}$  satisfying the normalization

$$Y(\lambda; \mathbf{T}) = \mathbf{1} + \begin{bmatrix} 0 & a & -a \\ 0 & c & 0 \\ 0 & 0 & -c \end{bmatrix} \lambda^{-\frac{1}{2}} + \mathcal{O}(\lambda^{-1}) \quad (3.6)$$

for some functions  $a = a(\mathbf{T}), c = c(\mathbf{T})$ .

**Remark 3.2.** Remark 2.16 applies here as well for the uniqueness of the solution to the Riemann-Hilbert problem 3.1. Moreover, the symmetry relation (2.31) holds true similarly here, namely

$$Y(\lambda e^{2\pi i}; \mathbf{T}) = \begin{bmatrix} 1 & 0 & 0 \\ 0 & 0 & 1 \\ 0 & 1 & 0 \end{bmatrix} Y(\lambda; \mathbf{T}) \begin{bmatrix} 1 & 0 & 0 \\ 0 & 0 & 1 \\ 0 & 1 & 0 \end{bmatrix} \quad (3.7)$$

We now explain a meaningful setup where the Riemann-Hilbert problem 3.1 can be given a completely rigorous analytic meaning. The driving idea is that of truncating the time variables to some finite (odd) number.

Fix now  $K \in \mathbb{N}$  and assume that  $T_{\ell} = 0$  for all  $\ell \geq 2K + 2$ . Set  $\mathbf{T} = (T_1, \dots, T_{2K+1}, 0, \dots)$  with  $T_{2K+1} \neq 0$ . In addition, the angles  $\beta_{0,\pm}$  (satisfying (2.17)) and the argument of  $T_{2K+1}$  must satisfy the following condition:

$$\begin{cases} \operatorname{Re} \left( \lambda^{\frac{2K+1}{2}} T_{2K+1} \right) < 0, & \lambda \in e^{i\beta_{\pm}} \mathbb{R}_+ \\ \operatorname{Re} \left( \lambda^{\frac{2K+1}{2}} T_{2K+1} \right) > 0, & \lambda \in e^{i\beta_0} \mathbb{R}_+. \end{cases} \quad (3.8)$$

Under this assumption, given the particular triangular structure of the Stokes matrices  $\mathcal{S}_{0,\pm}$ , the jumps  $M = e^{\Theta_-} \widetilde{M} e^{-\Theta_+}$  are exponentially close to the identity matrix along the rays  $e^{i\beta_{0,\pm}} \mathbb{R}_+$ .

**Proposition 3.3.** 1. Under the assumptions above, there is a unique analytic solution to Riemann-Hilbert problem 3.1, which is holomorphic in  $T_1, \dots, T_{2K+1}$  in a neighbourhood of the origin  $T_{\ell} = 0, \forall \ell$  and with the argument of  $T_{2K+1}$  restricted to a suitable sector of the complex plane as implied by (3.8).

2. Moreover, setting  $T_1 = 0, \dots, T_{2K} = 0$  and then letting  $T_{2K+1} \rightarrow 0$  in the appropriate sector then  $\Gamma(\lambda; \mathbf{T}) \rightarrow \Gamma_0(\lambda)$ .

3. In the same limit, all the logarithmic derivatives of  $\tau(\mathbf{T}; N)$  converge to the logarithmic derivatives of  $\mathcal{Z}(\mathbf{T}; N)$  with respect to the corresponding Miwa variables evaluated at  $\mathbf{T} = 0$ . In particular  $\log \tau(\mathbf{T}; N)$  admits a formal Taylor series expansion at  $\mathbf{T} = 0$  which is the asymptotic expansion of the truncation  $(T_1, \dots, T_{2K+1}, 0, \dots)$  for arbitrary integer  $K$  in an appropriate sector of the time  $T_{2K+1}$  near 0.

The proof of points 1,2 of Prop. 3.3 follows the same lines as the proof of Prop. 3.5 in [BC17]. The independence on  $K$  of the formal Taylor expansion mentioned in point 3 is proven as in Prop. 3.6 in loc. cit.;

The convergence of the function  $\tau_n(\vec{\lambda}, \vec{\mu}; N)$  in terms of Miwa variables to  $\tau(\mathbf{T}; N)$  could be proved with a rigorous analytic approach (at least for subsequences of  $n$ ) following the lines of Thm. 1.9 in [BC17]. We recall the main steps that could be followed for a rigorous analytic proof. For a given  $2K + 1$ -tuple of times  $(T_1, \dots, T_{2K+1})$ , the equation (3.1) suggests that we should consider the Taylor approximations

$$P_n(\zeta) + \mathcal{O}(\zeta^{n+1}) = \exp \left[ \sum_{j=1}^{2K+1} T_j \zeta^j \right], \quad \zeta \rightarrow 0. \quad (3.9)$$

Denote the set of roots of the polynomials  $P_n(y)$  by  $\mathcal{Y}_n(\mathbf{T})$  and partition them into the ones in the left/right half planes:  $\mathcal{Y}_n(\mathbf{T}) = \mathcal{Y}_n^L(\mathbf{T}) \sqcup \mathcal{Y}_n^R(\mathbf{T})$  (the purely imaginary ones conventionally assigned to the right plane).

The squares of the zeroes in  $\mathcal{Y}_n^L(\mathbf{T})$  define the  $\vec{\mu}$  and similarly, the squares of the zeroes in  $\mathcal{Y}_n^R(\mathbf{T})$  define the  $\vec{\lambda}$ . This, in turn, defines the products  $\pi_{\pm}^{(n)}$  in (3.1) (we emphasize the dependence on  $n$  by the superscript).

A rigorous analytical proof then should analyze the uniform convergence on compact sets of the  $\lambda$ -plane of the expressions

$$\frac{\pi_{\pm}^{(n)}(\lambda)}{\pi_{\pm}^{(n)}(0)} \rightarrow \exp \left[ \sum_{j=1}^{2K+1} (\mp)^j T_j \lambda^{\frac{j}{2}} \right] \quad (3.10)$$

so that the jump matrices of the Riemann–Hilbert problem 2.14 converge in the appropriate norms to the jump matrices of the Riemann–Hilbert problem 3.1.

This was accomplished in [BC17] in complete rigour for the special set of times  $(0, \dots, 0, T_{2K+1}, 0, \dots)$  in the case  $N = 0$ ; a general proof requires detailed analysis of the convergence and location of zeroes as  $n \rightarrow \infty$  for arbitrary  $\mathbf{T}$ . We consider this a technical issue beyond the scope of the present work, since we are mostly concerned with the formal structure of the expansion.

**Relation with a hierarchy of isomonodromic systems** We now briefly review the usual arguments showing that  $\Psi(\lambda; \mathbf{T}) = \Gamma(\lambda; \mathbf{T}) e^{\Theta(\lambda; \mathbf{T})}$  satisfies a Riemann–Hilbert problem with jump matrices  $\widetilde{M}$  independent of  $\lambda, \mathbf{T}$  so that we fall within the purview of the theory of isomonodromic deformations. Namely,  $\Psi(\lambda; \mathbf{T})$  is a solution to a *polynomial* ODE in the variable  $\lambda$  (see Remark 3.5)

$$\partial_{\lambda} \Psi(\lambda; \mathbf{T}) = A(\lambda; \mathbf{T}) \Psi(\lambda; \mathbf{T}) \quad (3.11)$$

satisfying also a compatible system of deformation equations with respect to the times  $\mathbf{T}$  (see Lemma 3.4)

$$\partial_{T_k} \Psi(\lambda; \mathbf{T}) = \Omega_k(\lambda; \mathbf{T}) \Psi(\lambda; \mathbf{T}), \quad k = 1, \dots, 2K + 1 \quad (3.12)$$

with zero-curvature equations

$$\partial_{T_k} A - \partial_{\lambda} \Omega_k = [\Omega_k, A], \quad \partial_{T_k} \Omega_j - \partial_{T_j} \Omega_k = [\Omega_k, \Omega_j], \quad j, k = 1, \dots, 2K + 1. \quad (3.13)$$

The equations (3.11) and (3.12) thus provide an isomonodromic system, in the sense of [JMU81]. More precisely we have the following

**Lemma 3.4.** *The matrices  $\Omega_k$  in (3.12) are polynomials in  $\lambda$  of degree  $\lceil \frac{k}{2} \rceil$ . They can be written as:*

$$\Omega_k(\lambda; \mathbf{T}) = \frac{\partial c(\mathbf{T})}{\partial T_k} E_{32} + \operatorname{res}_{\nu=\infty} \frac{\nu^{\frac{k}{2}} \Psi(\nu; \mathbf{T}) \theta_k \Psi^{-1}(\nu; \mathbf{T}) d\nu}{\lambda - \nu} \quad (3.14)$$

where  $\theta_k$  is in (3.3),  $c = c(\mathbf{T})$  is as in (3.6), and  $E_{32}$  denotes the elementary unit matrix.

**Proof.** According to (3.11) we have  $\Omega_k(\lambda; \mathbf{T}) = \partial_{T_k} \Psi(\lambda; \mathbf{T}) \Psi(\lambda; \mathbf{T})^{-1}$ . Since the jump matrices of  $\Psi$  are independent of  $\mathbf{T}$ , and  $\det \Psi \equiv 1$ , it follows that  $\Omega_k$  is an entire function of  $\lambda$ . Using the asymptotic expansion for  $\Psi$  that follows from the Riemann–Hilbert problem 3.1, as well as the symmetry (3.7) one can verify that it has polynomial growth at  $\lambda = \infty$  of degree  $\lceil \frac{k}{2} \rceil$ . By Liouville's theorem  $\Omega_k$  coincides with the polynomial part of  $\partial_{T_k} \Psi(\lambda; \mathbf{T}) \Psi(\lambda; \mathbf{T})^{-1}$ . We can compute it as

$$\begin{aligned} \Omega_k &= (\partial_{T_k} \Psi \Psi^{-1})_+ = \left( \lambda^S G \frac{\partial Y}{\partial T_k} Y^{-1} G^{-1} \lambda^{-S} + \lambda^{\frac{k}{2}} \lambda^S G Y \theta_k Y^{-1} G^{-1} \lambda^{-S} \right)_+ = \\ &= \frac{\partial c}{\partial T_k} E_{32} + \left( \lambda^{\frac{k}{2}} \Psi(\lambda) \theta_k \Psi^{-1}(\lambda) \right)_+ = \frac{\partial c}{\partial T_k} E_{32} + \operatorname{res}_{\nu=\infty} \frac{\nu^{\frac{k}{2}} \Psi(\nu) \theta_k \Psi^{-1}(\nu) d\nu}{\lambda - \nu} \end{aligned} \quad (3.15)$$

where we have denoted the polynomial part of the expansion at  $\lambda = \infty$  by the subscript  $+$ . We remark that the numerator inside the residue admits a formal series expansion in  $\nu$  with only integer powers, thanks to the symmetry (3.7), with only finitely many positive powers in  $\nu$ ; therefore the (formal) residue is well defined. ■

**Remark 3.5.** *Arguments entirely analogous to those used in Lemma 3.4 show that  $A(\lambda; \mathbf{T})$  is also a polynomial in  $\lambda$ , of degree  $K$ .*

Associated with this isomonodromic system we have the isomonodromic tau function  $\tau(\mathbf{T}; N)$ :

**Proposition 3.6.** *The Malgrange differential*

$$\omega_M := \int_{\Sigma} \frac{d\lambda}{2\pi i} \operatorname{Tr} (\Gamma^{-1}(\lambda; \mathbf{T}) \Gamma'_-(\lambda; \mathbf{T}) \delta M(\lambda; \mathbf{T}) M^{-1}(\lambda; \mathbf{T})) \quad (3.16)$$

*coincides with the Jimbo-Miwa-Ueno differential*

$$\omega_{JMU} := - \operatorname{res}_{\lambda=\infty} d\lambda \operatorname{Tr} (\Gamma^{-1}(\lambda; \mathbf{T}) \Gamma'(\lambda; \mathbf{T}) \delta \Theta(\lambda; \mathbf{T})) \quad (3.17)$$

where the differential  $\delta := \sum_{k \geq 1} dT_k \partial_{T_k}$ .

**Proof.** The formal residue in the Jimbo-Miwa-Ueno differential can be computed in the present case as

$$\omega_{JMU} = - \operatorname{res}_{\lambda=\infty} d\lambda \operatorname{Tr} (\Gamma^{-1} \Gamma' \delta \Theta) = \int_{\tilde{\Sigma}} \frac{d\lambda}{2\pi i} \operatorname{Tr} (\Gamma^{-1} \Gamma' \delta \Theta) \quad (3.18)$$

where  $\tilde{\Sigma}$  is the contour depicted in figure 3, without taking into account the small circles around the poles. Exactly as already explained in figure 3 the last integral can be rewritten thanks to the Cauchy Theorem as:

$$\omega_{JMU} = \int_{\Sigma} \frac{d\lambda}{2\pi i} \Delta [\operatorname{Tr} (\Gamma^{-1} \Gamma' \delta \Theta)] \quad (3.19)$$

Finally, using  $\Gamma_+ = \Gamma_- M$  and  $\text{Tr}(M^{-1} M' \delta\Theta) = 0$ ,

$$\begin{aligned} \Delta [\text{Tr}(\Gamma^{-1} \Gamma' \delta\Theta)] &= \text{Tr}((M^{-1} \Gamma_-^{-1} \Gamma'_- M - \Gamma_-^{-1} \Gamma'_-) \delta\Theta) = \\ &= \text{Tr}(\Gamma_-^{-1} \Gamma'_- (M \delta\Theta M^{-1} - \delta\Theta)) = \text{Tr}(\Gamma_-^{-1} \Gamma'_- \delta M M^{-1}) \end{aligned} \quad (3.20)$$

thus  $\omega_{JMU} = \omega_M$ . ■

As  $\delta\omega_{JMU} = 0 = \delta\omega_M$  [JMU81, Ber10] the isomonodromic tau function  $\tau(\mathbf{T}; N)$  can be introduced according to

$$\delta \log \tau = \omega_M = \omega_{JMU}. \quad (3.21)$$

This definition is spelled out as (1.23).

Finally we remark that in the formal limit in which  $\mathbf{T}$  is no longer assumed to have only a finite number of nonzero entries, we lose the  $\lambda$ -ODE (3.11) but we can consider (3.12) as an infinite hierarchy of PDEs in the times  $\mathbf{T}$ , with coefficients which are polynomials in  $\lambda$ ; the zero curvature equations (3.13) still make sense by themselves by matching the corresponding coefficients of the powers of  $\lambda$ .

The formula (1.23) still makes sense, so we may regard  $\tau(\mathbf{T}; N)$  as a formal function of the infinitely many variables  $\mathbf{T} = (T_1, T_2, \dots)$ .

### 3.2 Correlations functions: proof of Theorem 1.6

In this paragraph we prove Theorem 1.6. In particular we need a simplification of certain products of asymptotic expansions of the functions  $f(\lambda; N)$ , as in the following Lemma.

**Lemma 3.7.** *For  $a, b \in \{0, \pm 1\}$ , let*

$$F_-(\lambda; N+a) F_+(\lambda; -N-b) = \sum_{k \geq 0} P_{a,b}^k(N) \lambda^{-\frac{3k}{2}}. \quad (3.22)$$

*Then the polynomials  $P_{a,b}^k(N)$  in the indeterminate  $N$  coincide with those in (1.7).*

**Proof.** The expression  $\lambda^{-\frac{a-b+1}{2}} F_-(\lambda; N+a) F_+(\lambda; -N-b)$  is the formal expansion of the product of a solution to  $\partial^3 - \lambda\partial + N+a-1$  and of a solution to  $\partial^3 - \lambda\partial - N-b+1$ . As such it is annihilated by the following ninth-order differential operator;

$$\begin{aligned} &(a-b-2)(a-b+1)(a-b+4) + (3(a-b)^2 - 3(a-b) - 46) \lambda \partial_\lambda - 30 \lambda^2 \partial_\lambda^2 + \\ &+ (102 - 3(a-b) + 3a^2 + 21ab + 3b^2 + 27N(a+b+N)N - 4\lambda^3) \partial_\lambda^3 + 3(23-a+b) \lambda \partial_\lambda^4 \\ &+ 9 \lambda^2 \partial_\lambda^5 + 3(-11+a-b) \partial_\lambda^6 - 6 \lambda \partial_\lambda^7 + \partial_\lambda^9. \end{aligned} \quad (3.23)$$

Introduce the power series (a formal Laplace transform)

$$G(x) := \sum_{k \geq 0} P_{a,b}^k(N) \frac{x^{\frac{3k+a-b-1}{2}}}{\Gamma\left(\frac{3k+a-b+1}{2}\right)}. \quad (3.24)$$

Then  $G(x)$  is annihilated by the third-order differential operator

$$\begin{aligned} & \partial_x^3 - \frac{3(3x^3 - 2)}{4x} \partial_x^2 + \frac{3(2x^6 - (7 + a - b)x^3 - ((a - b)^2 - a + b + 2))}{4x^2} \partial_x + \\ & + \frac{-x^9 + 3(a - b + 3)x^6 - (3(a + b)^2 + 15ab + 9(a - b) + 6 + 27N(a + b + N))x^3 + (a - b + 2)(a - b - 2)}{4x^3} \end{aligned} \quad (3.25)$$

obtained from (3.23) by replacing  $\lambda$  with  $\partial_x$  and  $\partial_\lambda$  with  $-x$ . We are therefore interested in power-series solutions around the Fuchsian singularity  $x = 0$  of (3.25). It is easily checked that for  $a, b \in \{0, \pm 1\}$  the equation (3.25) is resonant and the Frobenius solutions at  $x = 0$  span a two-dimensional space<sup>6</sup> generated by the two series below;

$$\begin{aligned} G_1(x) & := x^{\frac{a-b-1}{2}} e^{\frac{x^3}{3}} {}_2F_2 \left( \begin{matrix} \frac{1-a-b-2N}{2} & \frac{1+a+b+2N}{2} \\ \frac{1}{2} & \frac{1+a-b}{2} \end{matrix} \middle| -\frac{x^3}{4} \right) \\ G_2(x) & := x^{\frac{a-b+2}{2}} e^{\frac{x^3}{3}} {}_2F_2 \left( \begin{matrix} \frac{2-a-b-2N}{2} & \frac{2+a+b+2N}{2} \\ \frac{3}{2} & \frac{2+a-b}{2} \end{matrix} \middle| -\frac{x^3}{4} \right). \end{aligned} \quad (3.26)$$

By matching with  $F_-(\lambda; N + a)F_+(\lambda; -N - b) = 1 - \frac{(a-b+2)(2N+a+b)}{4} \lambda^{-\frac{3}{2}} + \mathcal{O}(\lambda^{-3})$  we obtain

$$G(x) = \frac{G_1(x)}{\Gamma\left(\frac{a-b+1}{2}\right)} - \frac{2N + a + b}{2} \frac{G_2(x)}{\Gamma\left(\frac{a-b+2}{2}\right)}. \quad (3.27)$$

The proof is complete. ■

### 3.2.1 One-point function: proof of (1.26)

The one-point correlation function is simply the generating function of the derivatives (1.23)

$$\begin{aligned} S_1(\lambda; \mathbf{t}) & = \sum_{d \geq 0} \frac{(-1)^{d+1} (d+1)!!}{2^{\frac{d+1}{3}} \lambda^{\frac{d}{2}+1}} \langle \langle \tau_d \rangle \rangle = \sum_{d \geq 0} \frac{(-1)^{d+1} (d+1)!!}{2^{\frac{d+1}{3}} \lambda^{\frac{d}{2}+1}} \frac{\partial \log \tau}{\partial t_{d+1}} = \sum_{d \geq 0} \frac{1}{\lambda^{\frac{d}{2}+1}} \frac{\partial \log \tau}{\partial T_{d+1}} = \\ & = - \sum_{d \geq 0} \frac{1}{\lambda^{\frac{d}{2}+1}} \operatorname{res}_{\mu=\infty} \operatorname{Tr} \left( \Gamma'(\mu; \mathbf{t}) \theta_{d+1} \Gamma^{-1}(\mu; \mathbf{t}) \mu^{\frac{d+1}{2}} d\mu \right) = S_1^+(\lambda; \mathbf{t}) + S_1^-(\lambda; \mathbf{t}) - N \lambda^{-\frac{1}{2}} \end{aligned} \quad (3.28)$$

where

$$S_1^\pm(\lambda; \mathbf{t}) = \operatorname{Tr} \left( \lambda^{\frac{1}{2}} \Gamma'(\lambda; \mathbf{t}) \begin{bmatrix} 0 & 0 & 0 \\ 0 & \pm 1 & 0 \\ 0 & 0 & 1 \end{bmatrix} \Gamma^{-1}(\lambda; \mathbf{t}) \right) \quad (3.29)$$

Here and below, with an abuse of notation, we identify the analytic functions with their regular asymptotic expansion at  $\lambda = \infty$ , which are in any case well-defined. The last equality in (3.28) is proved by observing that both  $S_1^\pm$  in (3.29) are integer power series thanks to the symmetry (3.7); the term  $S_1^+$  thus contains the

<sup>6</sup>The expansion of the third solution involves logarithms.

odd- $d$  terms of the sum in (3.28), while the term  $S_1^-$  contains the even ones. Adding  $S_1^+ + S_1^-$  now gives the following simplification:

$$\begin{aligned}
S_1(\lambda; \mathbf{t}) &= 2 \operatorname{Tr} \left( \lambda^{\frac{1}{2}} \Gamma'(\lambda; \mathbf{t}) E_{33} \Gamma^{-1}(\lambda; \mathbf{t}) \right) - N \lambda^{-\frac{1}{2}} = \\
&= 2 \operatorname{Tr} \left( \lambda^{\frac{1}{2}} \Psi'(\lambda; \mathbf{t}) E_{33} \Psi^{-1}(\lambda; \mathbf{t}) - \lambda^{\frac{1}{2}} \Theta'(\lambda; \mathbf{t}) E_{33} \right) - N \lambda^{-\frac{1}{2}} = \\
&= 2 \operatorname{Tr} \left( \lambda^{\frac{1}{2}} \Psi'(\lambda; \mathbf{t}) E_{33} \Psi^{-1}(\lambda; \mathbf{t}) \right) - 2 \operatorname{Tr} \left( \lambda^{\frac{1}{2}} \Theta'(\lambda; \mathbf{t}) E_{33} \right) - N \lambda^{-\frac{1}{2}}
\end{aligned} \tag{3.30}$$

The correlators are the evaluations of (1.23) at  $\mathbf{T} = 0$  and then  $\Psi_0(\lambda) := \Psi(\lambda; \mathbf{T}) \Big|_{\mathbf{T}=0}$  is explicitly known in terms of contour integrals of Airy type. By applying the differential operator  $\frac{\partial}{\partial \lambda} \lambda^{-\frac{1}{2}}$  and setting  $\mathbf{T} = 0$  we obtain

$$\sum_{d \geq 0} \frac{(-1)^d (d+3)!!}{2^{\frac{d+4}{3}} \lambda^{\frac{d+5}{2}}} \left\langle \tau_{\frac{d}{2}} \right\rangle = 2 \operatorname{Tr} \left( E_{32} \Psi_0(\lambda) E_{33} \Psi_0^{-1}(\lambda) \right) + N \lambda^{-2} - \lambda^{-\frac{1}{2}} \tag{3.31}$$

where we have used that  $A = \Psi_0' \Psi_0^{-1} = \begin{bmatrix} 0 & 1 & 0 \\ 0 & 0 & 1 \\ N & \lambda & 0 \end{bmatrix}$  satisfies  $A' = E_{32}$  and  $\operatorname{Tr} \left( A (\Psi_0 E_{33} \Psi_0^{-1})' \right) = 0$ . We

have explicit formulæ for  $\Psi_0, \Psi_0^{-1}$ , where  $F_{\pm}(\lambda; \ell)$  have been defined in Prop. 2.3, see (2.7) and (2.8):

$$\Psi_0(\lambda) \sim \frac{1}{\sqrt{2}} \begin{bmatrix} \star & -\lambda^{\frac{N}{2} - \frac{3}{4}} F_-(\lambda; -N+1) & \lambda^{\frac{N}{2} - \frac{3}{4}} F_+(\lambda; -N+1) \\ \star & \lambda^{\frac{N}{2} - \frac{1}{4}} F_-(\lambda; -N) & \lambda^{\frac{N}{2} - \frac{1}{4}} F_+(\lambda; -N) \\ \star & -\lambda^{\frac{N}{2} + \frac{1}{4}} F_-(\lambda; -N-1) & \lambda^{\frac{N}{2} + \frac{1}{4}} F_+(\lambda; -N-1) \end{bmatrix} \cdot \begin{bmatrix} 1 & 0 & 0 \\ 0 & e^{-\frac{2}{3}\lambda^{\frac{3}{2}}} & 0 \\ 0 & 0 & e^{\frac{2}{3}\lambda^{\frac{3}{2}}} \end{bmatrix} \tag{3.32}$$

$$\Psi_0^{-1}(\lambda) \sim \frac{1}{\sqrt{2}} \begin{bmatrix} 1 & 0 & 0 \\ 0 & e^{\frac{2}{3}\lambda^{\frac{3}{2}}} & 0 \\ 0 & 0 & e^{-\frac{2}{3}\lambda^{\frac{3}{2}}} \end{bmatrix} \tag{3.33}$$

$$\begin{bmatrix} -\lambda^{-\frac{N}{2} - \frac{1}{4}} F_+(\lambda; N) & -\lambda^{-\frac{N}{2} + \frac{1}{4}} F_+(\lambda; N-1) & -\lambda^{-\frac{N}{2} + \frac{3}{4}} F_+(\lambda; N-2) \\ \lambda^{-\frac{N}{2} - \frac{1}{4}} F_-(\lambda; N) & -\lambda^{-\frac{N}{2} + \frac{1}{4}} F_-(\lambda; N-1) & \lambda^{-\frac{N}{2} + \frac{3}{4}} F_-(\lambda; N-2) \end{bmatrix} \cdot \begin{bmatrix} -\lambda & 0 & 1 \\ 0 & -1 & 0 \\ 1 & 0 & 0 \end{bmatrix}$$

The formula for  $\Psi_0^{-1}$  is obtained as in Proposition B.2. Inserting this into (3.31) we get

$$\sum_{d \geq 0} \frac{(-1)^d (d+3)!!}{2^{\frac{d+4}{3}} \lambda^{\frac{d+5}{2}}} \left\langle \tau_{\frac{d}{2}} \right\rangle = \lambda^{-\frac{1}{2}} F_+(\lambda; -N) F_-(\lambda; N) + N \lambda^{-2} - \lambda^{-\frac{1}{2}} \tag{3.34}$$

By applying the case  $a = 0 = b$  of Lemma 3.7 we obtain the identity

$$\partial_{\lambda} (\lambda^{-\frac{1}{2}} S_1(\lambda)) = \sum_{k \geq 2} P_{0,0}^k(N) \lambda^{-\frac{3k+1}{2}} \tag{3.35}$$

which is equivalent to (1.26), by inverting the operator  $\partial_{\lambda} \lambda^{-\frac{1}{2}}$  and changing summation variable  $g = k - 1$ .

### 3.2.2 Two-point function

Introduce the operator

$$\nabla(\mu) := \sum_{d \geq 0} \frac{(-1)^{d+1} (d+1)!!}{2^{\frac{d+1}{3}} \mu^{\frac{d}{2}+1}} \frac{\partial}{\partial t_{d+1}} = \sum_{d \geq 0} \frac{1}{\mu^{\frac{d}{2}+1}} \frac{\partial}{\partial T_{d+1}} \quad (3.36)$$

We have, using (3.30),  $\frac{\partial \Psi}{\partial T_k} = \Omega_k \Psi$  and Lemma 3.4, omitting the dependence on  $\mathbf{T}$ ,

$$\begin{aligned} S_2(\lambda_1, \lambda_2; \mathbf{T}) &= \nabla(\lambda_2) S_1(\lambda_1; \mathbf{T}) = 2 \sum_{d \geq 0} \frac{1}{\lambda_2^{\frac{d}{2}+1}} \frac{\partial}{\partial T_{d+1}} \text{Tr} \left( \lambda_1^{\frac{1}{2}} \Psi'(\lambda_1) E_{33} \Psi^{-1}(\lambda_1) - \lambda_1^{\frac{1}{2}} \Theta'(\lambda_1) E_{33} \right) = \\ &= 2 \sum_{d \geq 0} \frac{1}{\lambda_2^{\frac{d}{2}+1}} \text{Tr} \left( \lambda_1^{\frac{1}{2}} \Omega_{d+1}(\lambda_1) \Psi'(\lambda_1) E_{33} \Psi^{-1}(\lambda_1) + \lambda_1^{\frac{1}{2}} \Omega'_{d+1}(\lambda_1) \Psi(\lambda_1) E_{33} \Psi^{-1}(\lambda_1) + \right. \\ &\quad \left. - \lambda_1^{\frac{1}{2}} \Psi'(\lambda_1) E_{33} \Psi^{-1}(\lambda_1) \Omega_{d+1}(\lambda_1) - \frac{d+1}{2} \lambda_1^{\frac{d}{2}} E_{33} \right) = \\ &= 2 \sum_{d \geq 0} \frac{1}{\lambda_2^{\frac{d}{2}+1}} \text{Tr} \left( \lambda_1^{\frac{1}{2}} \frac{\partial}{\partial \lambda_1} \left( \lambda_1^{\frac{d+1}{2}} \Psi(\lambda_1) \theta_{d+1} \Psi^{-1}(\lambda_1) \right)_+ \Psi(\lambda_1) E_{33} \Psi^{-1}(\lambda_1) \right) - \sum_{d \geq 0} (d+1) \frac{\lambda_1^{\frac{d}{2}}}{\lambda_2^{\frac{d}{2}+1}} = \\ &= 2 \text{Tr} \sum_{d \geq 0} \frac{1}{\lambda_2^{\frac{d}{2}+1}} \left( \text{res}_{\nu=\infty} \left( \frac{\nu^{\frac{d+1}{2}} \Psi(\nu) \theta_{d+1} \Psi^{-1}(\nu)}{(\lambda_1 - \nu)^2} \right) \lambda_1^{\frac{1}{2}} \Psi(\lambda_1) E_{33} \Psi^{-1}(\lambda_1) \right) - \frac{1}{\left( \lambda_1^{\frac{1}{2}} - \lambda_2^{\frac{1}{2}} \right)^2} = \\ &= \text{Tr} \frac{\mathcal{A}(\lambda_1; \mathbf{T}) \mathcal{A}(\lambda_2; \mathbf{T})}{(\lambda_1 - \lambda_2)^2} - \frac{1}{\left( \lambda_1^{\frac{1}{2}} - \lambda_2^{\frac{1}{2}} \right)^2} \end{aligned} \quad (3.37)$$

where we have introduced

$$\mathcal{A}(\lambda; \mathbf{T}) := 2 \lambda^{\frac{1}{2}} \Psi(\lambda; \mathbf{T}) E_{33} \Psi^{-1}(\lambda; \mathbf{T}). \quad (3.38)$$

In the last step of (3.37) we have used the same type of reasoning used after (3.29) to re-sum the odd/even terms of the sum into one series, using again the symmetry (3.7). Evaluating at  $\mathbf{T} = 0$ , using (3.32) and (3.33) and the recursion (2.9), and writing  $F_\ell^\pm := F_\pm(\lambda; \ell)$  for short, we find

$$\begin{aligned} A(\lambda) &:= \mathcal{A}(\lambda; \mathbf{T} = 0) = 2 \lambda^{\frac{1}{2}} \Psi_0(\lambda) E_{33} \Psi_0^{-1}(\lambda) = \\ &= \lambda^{\frac{1}{2}} \begin{bmatrix} 0 & 0 & \lambda^{\frac{N}{2}-\frac{3}{4}} F_{-N+1}^+ \\ 0 & 0 & \lambda^{\frac{N}{2}-\frac{1}{4}} F_{-N}^+ \\ 0 & 0 & \lambda^{\frac{N}{2}+\frac{1}{4}} F_{-N-1}^+ \end{bmatrix} \cdot \begin{bmatrix} 0 & 0 & 0 \\ 0 & 0 & 0 \\ N \lambda^{-\frac{N}{2}-\frac{3}{4}} F_{N+1}^- & \lambda^{-\frac{N}{2}+\frac{1}{4}} F_{N-1}^- & \lambda^{-\frac{N}{2}-\frac{1}{4}} F_N^- \end{bmatrix} = \\ &= \begin{bmatrix} \lambda^{-1} N F_{N+1}^- F_{-N+1}^+ & F_{N-1}^- F_{-N+1}^+ & \lambda^{-\frac{1}{2}} F_N^- F_{-N+1}^+ \\ \lambda^{-\frac{1}{2}} N F_{N+1}^- F_{-N}^+ & \lambda^{\frac{1}{2}} F_{N-1}^- F_{-N}^+ & F_N^- F_{-N}^+ \\ N F_{N+1}^- F_{-N-1}^+ & \lambda F_{N-1}^- F_{-N-1}^+ & \lambda^{\frac{1}{2}} F_N^- F_{-N-1}^+ \end{bmatrix} = \\ &= \begin{bmatrix} N \sum_{k \geq 0} P_{1,-1}^k(N) \lambda^{-\frac{3k+2}{2}} & \sum_{k \geq 0} P_{-1,-1}^k(N) \lambda^{-\frac{3k}{2}} & \sum_{k \geq 0} P_{0,-1}^k(N) \lambda^{-\frac{3k+1}{2}} \\ N \sum_{k \geq 0} P_{1,0}^k(N) \lambda^{-\frac{3k+1}{2}} & \sum_{k \geq 0} P_{-1,0}^k(N) \lambda^{-\frac{3k-1}{2}} & \sum_{k \geq 0} P_{0,0}^k(N) \lambda^{-\frac{3k}{2}} \\ N \sum_{k \geq 0} P_{1,1}^k(N) \lambda^{-\frac{3k}{2}} & \sum_{k \geq 0} P_{-1,1}^k(N) \lambda^{-\frac{3k-2}{2}} & \sum_{k \geq 0} P_{0,1}^k(N) \lambda^{-\frac{3k-1}{2}} \end{bmatrix} \end{aligned} \quad (3.39)$$



where, in the last step, we applied Lemma 3.7. The formula (1.27) of Theorem 1.6 is hence established for  $n = 2$ .

### 3.2.3 $n$ -point functions

**Lemma 3.8.** *The following identity of formal series holds:*

$$\nabla(\mu)\mathcal{A}(\lambda; \mathbf{T}) = \frac{[\mathcal{A}(\mu; \mathbf{T}), \mathcal{A}(\lambda; \mathbf{T})]}{\mu - \lambda} + [\nabla(\mu)c(\mathbf{T})\mathbf{E}_{32}, \mathcal{A}(\lambda; \mathbf{T})] \quad (3.40)$$

where  $c(\mathbf{T})$  is as in (3.6) and  $\mathbf{E}_{32}$  denotes the elementary unit matrix.

**Proof.** First notice that  $\frac{\partial}{\partial T_k}\mathcal{A}(\lambda; \mathbf{T}) = [\Omega_k(\lambda; \mathbf{T}), \mathcal{A}(\lambda; \mathbf{T})]$ . Using now Lemma 3.4 we write

$$\begin{aligned} \nabla(\mu)\mathcal{A}(\lambda; \mathbf{T}) &= \sum_{d \geq 0} \frac{1}{\mu^{\frac{d}{2}+1}} [\Omega_{d+1}(\lambda; \mathbf{T}), \mathcal{A}(\lambda; \mathbf{T})] = \\ &= \sum_{d \geq 0} \frac{1}{\mu^{\frac{d}{2}+1}} \operatorname{res}_{\nu=\infty} \left[ \frac{\nu^{\frac{d+1}{2}} \Psi(\nu; \mathbf{T}) \theta_{d+1} \Psi^{-1}(\nu; \mathbf{T})}{\lambda - \nu}, \mathcal{A}(\lambda; \mathbf{T}) \right] + \sum_{d \geq 0} \frac{1}{\mu^{\frac{d}{2}+1}} \frac{\partial c(\mathbf{T})}{\partial T_{d+1}} [\mathbf{E}_{32}, \mathcal{A}(\lambda; \mathbf{T})] = \\ &= \frac{[\mathcal{A}(\mu; \mathbf{T}), \mathcal{A}(\lambda; \mathbf{T})]}{\mu - \lambda} + [\nabla(\mu)c(\mathbf{T})\mathbf{E}_{32}, \mathcal{A}(\lambda; \mathbf{T})] \end{aligned} \quad (3.41)$$

In the last step we have used again the symmetry (3.7) and the argument already used after (3.29) and in the last step of (3.37).  $\blacksquare$

**Proposition 3.9.** *For  $n \geq 2$ , the  $n$ -point correlation functions are expressed as follows:*

$$S_n(\lambda_1, \dots, \lambda_n; \mathbf{T}) = -\frac{1}{n} \sum_{i \in S_n} \operatorname{Tr} \frac{\mathcal{A}(\lambda_{i_1}; \mathbf{T}) \cdots \mathcal{A}(\lambda_{i_n}; \mathbf{T})}{(\lambda_{i_1} - \lambda_{i_2}) \cdots (\lambda_{i_n} - \lambda_{i_1})} - \frac{\delta_{n,2}}{(\lambda_1^{\frac{1}{2}} - \lambda_2^{\frac{1}{2}})^2}. \quad (3.42)$$

**Proof.** The proof proceeds by induction on  $n$ . The initial case  $n = 2$  is the content of section 3.2.2 (see (3.37)). Assume now that (3.42) holds true for  $n \geq 2$  and compute, using Lemma 3.8:

$$\begin{aligned} S_{n+1}(\lambda_1, \dots, \lambda_{n+1}; \mathbf{T}) &= \nabla(\lambda_{n+1})S_n(\lambda_1, \dots, \lambda_n; \mathbf{T}) = -\frac{1}{n} \nabla(\lambda_{n+1}) \sum_{i \in S_n} \operatorname{Tr} \frac{\mathcal{A}(\lambda_{i_1}; \mathbf{T}) \cdots \mathcal{A}(\lambda_{i_n}; \mathbf{T})}{(\lambda_{i_1} - \lambda_{i_2}) \cdots (\lambda_{i_n} - \lambda_{i_1})} = \\ &= -\frac{1}{n} \sum_{j=1}^n \sum_{i \in S_n} \operatorname{Tr} \frac{\mathcal{A}(\lambda_{i_1}; \mathbf{T}) \cdots \nabla(\lambda_{n+1})\mathcal{A}(\lambda_{i_j}; \mathbf{T}) \cdots \mathcal{A}(\lambda_{i_n}; \mathbf{T})}{(\lambda_{i_1} - \lambda_{i_2}) \cdots (\lambda_{i_n} - \lambda_{i_1})} = \\ &= -\frac{1}{n} \sum_{j=1}^n \sum_{i \in S_n} \operatorname{Tr} \frac{\mathcal{A}(\lambda_{i_1}; \mathbf{T}) \cdots [\mathcal{A}(\lambda_{n+1}; \mathbf{T}), \mathcal{A}(\lambda_{i_j}; \mathbf{T})] \cdots \mathcal{A}(\lambda_{i_n}; \mathbf{T})}{(\lambda_{i_1} - \lambda_{i_2}) \cdots (\lambda_{i_n} - \lambda_{i_1})(\lambda_{n+1} - \lambda_j)} + \\ &= -\frac{1}{n} \sum_{j=1}^n \sum_{i \in S_n} \operatorname{Tr} \frac{\mathcal{A}(\lambda_{i_1}; \mathbf{T}) \cdots [\nabla(\lambda_{n+1})c(\mathbf{T})\mathbf{E}_{32}, \mathcal{A}(\lambda_{i_j}; \mathbf{T})] \cdots \mathcal{A}(\lambda_{i_n}; \mathbf{T})}{(\lambda_{i_1} - \lambda_{i_2}) \cdots (\lambda_{i_n} - \lambda_{i_1})} \end{aligned} \quad (3.43)$$

The second sum in the above expression is zero because

$$\mathrm{Tr} \sum_{j=1}^n \mathcal{A}(\lambda_{i_1}; \mathbf{T}) \cdots [\nabla(\lambda_{n+1})c(\mathbf{T})E_{32}, \mathcal{A}(\lambda_{i_j}; \mathbf{T})] \cdots \mathcal{A}(\lambda_{i_n}; \mathbf{T}) = 0 \quad (3.44)$$

since this expresses the infinitesimal adjoint action with generator  $\nabla(\lambda_{n+1})c(\mathbf{T})E_{32}$  on  $\mathrm{Tr} \prod_{j=1}^n \mathcal{A}(\lambda_{i_j}; \mathbf{T})$ , and this latter is invariant under adjoint actions. Finally we rearrange the sum (omitting the dependence on  $\mathbf{T}$ ):

$$\begin{aligned} S_{n+1}(\lambda_1, \dots, \lambda_{n+1}; \mathbf{T}) &= -\frac{1}{n} \sum_{i \in S_n} \sum_{j=1}^n \mathrm{Tr} \frac{\mathcal{A}(\lambda_{i_1}) \cdots (\mathcal{A}(\lambda_{n+1})\mathcal{A}(\lambda_{i_j}) - \mathcal{A}(\lambda_{i_j})\mathcal{A}(\lambda_{n+1})) \cdots \mathcal{A}(\lambda_{i_n})}{(\lambda_{i_1} - \lambda_{i_2}) \cdots (\lambda_{i_n} - \lambda_{i_1})(\lambda_{n+1} - \lambda_{i_j})} = \\ &= -\frac{1}{n} \sum_{i \in S_n} \sum_{j=1}^n \mathrm{Tr} \frac{\mathcal{A}(\lambda_{i_1}) \cdots \mathcal{A}(\lambda_{i_{j-1}})\mathcal{A}(\lambda_{n+1})\mathcal{A}(\lambda_{i_j}) \cdots \mathcal{A}(\lambda_{i_n})}{(\lambda_{i_1} - \lambda_{i_2}) \cdots (\lambda_{i_n} - \lambda_{i_1})} \left( \frac{1}{\lambda_{n+1} - \lambda_{i_j}} - \frac{1}{\lambda_{n+1} - \lambda_{i_{j-1}}} \right) = \end{aligned}$$

(here  $i_0 = i_n$ )

$$\begin{aligned} &= -\frac{1}{n} \sum_{i \in S_n} \sum_{j=1}^n \mathrm{Tr} \frac{\mathcal{A}(\lambda_{i_1}) \cdots \mathcal{A}(\lambda_{i_{j-1}})\mathcal{A}(\lambda_{n+1})\mathcal{A}(\lambda_{i_j}) \cdots \mathcal{A}(\lambda_{i_n})}{(\lambda_{i_1} - \lambda_{i_2}) \cdots (\lambda_{i_{j-2}} - \lambda_{i_{j-1}})(\lambda_{i_{j-1}} - \lambda_{n+1})(\lambda_{n+1} - \lambda_{i_j}) \cdots (\lambda_{i_n} - \lambda_{i_1})} = \\ &= -\frac{1}{n+1} \sum_{i \in S_{n+1}} \mathrm{Tr} \frac{\mathcal{A}(\lambda_{i_1}) \cdots \mathcal{A}(\lambda_{i_{n+1}})}{(\lambda_{i_1} - \lambda_{i_2}) \cdots (\lambda_{i_{n+1}} - \lambda_{i_1})} \end{aligned} \quad (3.45)$$

where we have used the cyclic property of the trace repeatedly. The proof is complete.  $\blacksquare$

Evaluation of (3.42) at  $\mathbf{T} = 0$  yields (1.27). The proof of Theorem 1.6 is complete.

### 3.3 The String and Dilaton equations: proof of Proposition 1.8

The proof of the String and Dilaton equations is a consequence of the covariance properties of the solution to Riemann–Hilbert problem 3.1 under translations and dilations of the  $\lambda$ -plane.

In order to derive a proof which is not formal, for the purposes of this section we fix an arbitrary positive integer  $K$  and truncate the times, so that  $\mathbf{T} = (T_1, \dots, T_{2K+1}, 0, \dots)$  and that the consistency condition (3.8) on  $\beta_{0, \pm}$  is fulfilled, so that the Riemann–Hilbert problem 3.1 is well-posed.

Let us introduce the following action of the shifts and dilations on the times  $\mathbf{T}$ ,  $\mathbf{T}_S(x; \mathbf{T})$ ,  $\mathbf{T}_D(x; \mathbf{T})$  according to

$$\Theta(\lambda; \mathbf{T}_S(x, \mathbf{T})) = \Theta(\lambda + x; \mathbf{T})_+, \quad \Theta(\lambda; \mathbf{T}_D(x, \mathbf{T})) = \Theta(e^x \lambda; \mathbf{T})_+ \quad (3.46)$$

where  $+$  denotes the polar part at  $\lambda = \infty$ , i.e., we keep only *strictly* positive powers of  $\lambda^{\frac{1}{2}}$  in the Puiseux expansion at infinity. At first order in  $x$  we have

$$\mathbf{T}_S(x, \mathbf{T}) = \mathbf{T} + x\mathbb{L}_{-1}\mathbf{T} + \mathcal{O}(x^2), \quad \mathbf{T}_D(x, \mathbf{T}) = \mathbf{T} + x\mathbb{L}_0\mathbf{T} + \mathcal{O}(x^2) \quad (3.47)$$

where the vector fields  $\mathbb{L}_{-1}$  and  $\mathbb{L}_0$  are

$$\mathbb{L}_{-1} := \sum_{k \geq 3} \frac{k}{2} T_k \frac{\partial}{\partial T_{k-2}} + \frac{\partial}{\partial T_1}, \quad \mathbb{L}_0 := \sum_{k \geq 1} \frac{k}{2} T_k \frac{\partial}{\partial T_k} + \frac{\partial}{\partial T_3} \quad (3.48)$$

**Lemma 3.10.** *The following identities hold true*

$$\Psi(\lambda + x; \mathbf{T}) = \text{diag}(1, e^\eta, e^\eta) \Psi(\lambda; \mathbf{T}_S(x; \mathbf{T})), \quad \eta := \sum_{k \geq 1} x^k T_{2k}, \quad (3.49)$$

$$\Psi(e^x \lambda; \mathbf{T}) = e^{x(S+L)} \Psi(\lambda; \mathbf{T}_D(x; \mathbf{T})). \quad (3.50)$$

**Proof.** Consider the sectionally analytic matrix  $\widehat{\Psi}(\lambda; \mathbf{T}) := \Psi(\lambda + x; \mathbf{T})$ ; it has constant jumps on the sectors translated by  $-x$ . In each of these sectors, the restriction admits entire analytic continuation under the assumption that  $\mathbf{T} = (T_1, \dots, T_{2K+1}, 0, \dots)$  and the condition (3.8) on  $\beta_{0,\pm}$ . We denote by the same symbol  $\widehat{\Psi}(\lambda; \mathbf{T})$  the piecewise analytic matrix function with the same sectors as  $\Psi(\lambda; \mathbf{T})$ . Now, the jumps of  $\widehat{\Psi}(\lambda; \mathbf{T})$  are the same as those of  $\Psi(\lambda; \mathbf{T})$ . Hence the matrix  $\widehat{\Gamma}(\lambda; \mathbf{T}) := \widehat{\Psi}(\lambda; \mathbf{T}) e^{-\Theta(\lambda; \mathbf{T}_S)}$  (with  $\mathbf{T}_S = \mathbf{T}_S(x, \mathbf{T})$  for brevity) necessarily solves a Riemann–Hilbert problem with jumps equal to those of  $\Gamma(\lambda; \mathbf{T}_S)$  but with a different normalization at  $\lambda = \infty$ ;

$$\widehat{\Gamma}(\lambda; \mathbf{T}) \sim (\lambda + x)^S G Y(\lambda + x; \mathbf{T}) (\lambda + x)^L e^{\Theta(\lambda+x; \mathbf{T}) - \Theta(\lambda; \mathbf{T}_S)}. \quad (3.51)$$

The trailing factor has the form:

$$\exp(\Theta(\lambda + x; \mathbf{T}) - \Theta(\lambda; \mathbf{T}_S)) = \text{diag}(1, e^\eta, e^\eta) (\mathbf{1} + \mathcal{O}(\lambda^{-1})), \quad \eta = \sum_{k \geq 1} x^k T_{2k}. \quad (3.52)$$

The prefactor  $\text{diag}(1, e^\eta, e^\eta)$  in the right side of (3.52) commutes with  $G$ , hence it follows from the uniqueness of the solution to the Riemann–Hilbert problem 3.1 that  $\widehat{\Gamma}(\lambda; \mathbf{T}) = \text{diag}(1, e^\eta, e^\eta) \Gamma(\lambda; \mathbf{T}_S)$  and (3.49) is proved. The proof for the dilations follows along the same lines; the sectionally analytic matrix  $\widetilde{\Gamma}(\lambda; \mathbf{T}) := \Psi(e^x \lambda; \mathbf{T}) e^{-\Theta(\lambda; \mathbf{T}_D)}$  (with  $\mathbf{T}_D = \mathbf{T}_D(x; \mathbf{T})$ ) solves a Riemann–Hilbert problem with jumps equal to those of  $\Gamma(\lambda; \mathbf{T}_D)$  but with a different normalization at  $\lambda = \infty$ ;

$$\widetilde{\Gamma}(\lambda; \mathbf{T}) \sim e^{xS} \lambda^S G Y(e^x \lambda; \mathbf{T}) e^{xL} \lambda^L e^{\Theta(e^x \lambda; \mathbf{T}) - \Theta(\lambda; \mathbf{T}_D)} \quad (3.53)$$

and taking  $e^{xL}$  on the left (it commutes with  $G$ ) one obtains  $\widetilde{\Gamma}(\lambda; \mathbf{T}) = e^{x(S+L)} \Gamma(\lambda; \mathbf{T}_D)$ .  $\blacksquare$

Now we are in position to derive (1.30) and (1.31). For the String equation we apply (3.49) of the Lemma, writing  $\mathbf{T}_S = \mathbf{T}_S(x, \mathbf{T})$  for short,

$$\begin{aligned} -\frac{\partial}{\partial T_j} \log \tau(\mathbf{T}; N) &= \text{res}_{\lambda=\infty} \text{Tr} \left( \lambda^{\frac{j}{2}} \Gamma^{-1}(\lambda; \mathbf{T}) \Gamma'(\lambda; \mathbf{T}) \theta_j \right) = \text{res}_{\lambda=\infty} \text{Tr} \left( \lambda^{\frac{j}{2}} \Psi^{-1}(\lambda; \mathbf{T}) \Psi'(\lambda; \mathbf{T}) \theta_j \right) = \\ &= \text{res}_{\lambda=\infty} \text{Tr} \left( \lambda^{\frac{j}{2}} \Psi^{-1}(\lambda - x; \mathbf{T}_S) \Psi'(\lambda - x; \mathbf{T}_S) \theta_j \right) = \text{res}_{\lambda=\infty} \text{Tr} \left( (\lambda + x)^{\frac{j}{2}} \Psi^{-1}(\lambda; \mathbf{T}_S) \Psi'(\lambda; \mathbf{T}_S) \theta_j \right) \end{aligned} \quad (3.54)$$

The last expression does not depend on  $x$  by construction, so its first variation in  $x$  vanishes:

$$\text{res}_{\lambda=\infty} \text{Tr} \left( \frac{j}{2} \lambda^{\frac{j}{2}-1} \Psi^{-1}(\lambda; \mathbf{T}) \Psi'(\lambda; \mathbf{T}) \theta_j \right) + \mathbb{L}_{-1} \text{res}_{\lambda=\infty} \text{Tr} \left( \lambda^{\frac{j}{2}} \Psi^{-1}(\lambda; \mathbf{T}) \Psi'(\lambda; \mathbf{T}) \theta_j \right) = 0 \quad (3.55)$$

In terms of the tau function

$$\frac{j}{2} \frac{\partial}{\partial T_{j-2}} \log \tau(\mathbf{T}; N) + \frac{1}{2} \delta_{j,1} T_1 + N \delta_{j,2} + \mathbb{L}_{-1} \frac{\partial}{\partial T_j} \log \tau(\mathbf{T}; N) = 0 \quad (3.56)$$

which gives

$$\frac{\partial}{\partial T_j} \left( \mathbb{L}_{-1} \log \tau(\mathbf{T}; N) + \frac{T_1^2}{4} + NT_2 \right) = 0 \quad (3.57)$$

for all  $j = 1, 2, \dots$ . Therefore we conclude that  $\mathbb{L}_{-1} \log \tau(\mathbf{T}; N) + \frac{T_1^2}{4} + NT_2 = \text{const}$  and the integration constant is easily seen to be 0 by evaluation at  $\mathbf{T} = 0$  (we use the identity  $\langle \tau_0 \rangle = 0$  which implies  $\frac{\partial}{\partial T_1} \log \tau(\mathbf{T}; N) \Big|_{\mathbf{T}=0} = 0$ ). The String equation (1.30) is established.

The Dilaton equation follows by very similar computations. Write  $\mathbf{T}_D = \mathbf{T}_D(x; \mathbf{T})$  and use (3.50):

$$-\frac{\partial}{\partial T_j} \log \tau(\mathbf{T}; N) = \text{res}_{\lambda=\infty} \text{Tr} \left( e^{\frac{j}{2}x} \lambda^{\frac{j}{2}} \Psi^{-1}(\lambda; \mathbf{T}_D) \Psi'(\lambda; \mathbf{T}_D) \right) \quad (3.58)$$

The first variation in  $x$  of the above vanishes:

$$\text{res}_{\lambda=\infty} \text{Tr} \left( \frac{j}{2} \lambda^{\frac{j}{2}} \Psi^{-1}(\lambda; \mathbf{T}) \Psi'(\lambda; \mathbf{T}) \theta_j \right) + \mathbb{L}_0 \text{res}_{\lambda=\infty} \text{Tr} \left( \lambda^{\frac{j}{2}} \Psi^{-1}(\lambda; \mathbf{T}) \Psi'(\lambda; \mathbf{T}) \theta_j \right) = 0. \quad (3.59)$$

In terms of the tau function:

$$\left( \frac{j}{2} \frac{\partial}{\partial T_j} + \mathbb{L}_0 \frac{\partial}{\partial T_j} \right) \log \tau(\mathbf{T}; N) = \frac{\partial}{\partial T_j} \mathbb{L}_0 \log \tau(\mathbf{T}; N) = 0 \quad (3.60)$$

Therefore  $\mathbb{L}_0 \log \tau(\mathbf{T}; N) = \text{const}$ , and the constant is easily evaluated at  $\mathbf{T} = 0$  as

$$\mathbb{L}_0 \log \tau(\mathbf{T}; N) \Big|_{\mathbf{T}=0} = \frac{\partial}{\partial T_3} \log \tau(\mathbf{T}; N) \Big|_{\mathbf{T}=0} = -\frac{3}{2} \langle \tau_1 \rangle = -\frac{1 + 12N^2}{16} \quad (3.61)$$

and the Dilaton equation (1.31) is established as well.

## A Asymptotics

**Asymptotics for  $f$ .** Let us first consider  $\lambda \in \mathbb{R}_+$ ,  $\lambda \rightarrow +\infty$ . According to *Laplace's method* the main contributions to  $f(\lambda; N)$  for large  $\lambda$  come from the saddles of the exponent  $i\frac{x^3}{3} + ix\lambda$ , provided that the contour of integration can be deformed into the curve of steepest descent through some of the saddles in a neighbourhood of the saddle points. In the present case there are two saddles,  $\pm i\sqrt{\lambda}$ . The identity

$$i\frac{x^3}{3} + ix\lambda = \mp \frac{2}{3} \lambda^{\frac{3}{2}} \mp \sqrt{\lambda} \left( x \mp i\sqrt{\lambda} \right)^2 + \frac{i}{3} \left( x \mp i\sqrt{\lambda} \right)^3 \quad (A.1)$$

shows that the direction of steepest descent at  $i\sqrt{\lambda}$  is horizontal, while at  $-i\sqrt{\lambda}$  is vertical. Hence we deform the contour of integration passing through  $i\sqrt{\lambda}$  along the direction of steepest descent. Using the expansion

$$x^{-N} \exp \left( \frac{i}{3} (x - i\sqrt{\lambda})^3 \right) = \sum_{a,b \geq 0} \binom{-N}{a} \frac{i^{b-a-N}}{b! 3^b} \lambda^{-\frac{a+N}{2}} (x - i\sqrt{\lambda})^{a+3b} \quad (A.2)$$

we find

$$\begin{aligned}
f(\lambda; N) &= \frac{i^N}{\sqrt{2\pi}} \exp\left(-\frac{2}{3}\lambda^{\frac{3}{2}}\right) \int_{\mathbb{R}+i\epsilon} x^{-N} \exp\left(-\sqrt{\lambda}(x-i\sqrt{\lambda})^2 + \frac{i}{3}(x-i\sqrt{\lambda})^3\right) dx \sim \\
&\sim \frac{\exp\left(-\frac{2}{3}\lambda^{\frac{3}{2}}\right)}{\sqrt{2\pi}} \sum_{a,b \geq 0} \binom{-N}{a} \frac{i^{b-a}}{b!3^b} \lambda^{-\frac{a+N}{2}} \int_{-\infty}^{+\infty} \exp\left(-\sqrt{\lambda}\xi^2\right) \xi^{a+3b} d\xi = \\
&= \frac{\exp\left(-\frac{2}{3}\lambda^{\frac{3}{2}}\right)}{\sqrt{2\pi} \lambda^{\frac{N}{2}+\frac{1}{4}}} \sum_{a,b \geq 0, a+b \text{ even}} \binom{-N}{a} \frac{i^{b-a}}{b!3^b} \Gamma\left(\frac{1+a+3b}{2}\right) \lambda^{-\frac{3}{4}(a+b)} = \\
&= \frac{\exp\left(-\frac{2}{3}\lambda^{\frac{3}{2}}\right)}{\sqrt{2} \lambda^{\frac{N}{2}+\frac{1}{4}}} \sum_{j \geq 0} (-1)^j C_j(N) \lambda^{-\frac{3}{2}j}
\end{aligned} \tag{A.3}$$

where, in the second line,  $\xi = x - i\sqrt{\lambda}$ , in the last step  $a + b = 2j$  and  $C_j(N)$  is as in (2.7).

The asymptotic expansion holds in the whole sector  $|\arg \lambda| < \pi$  by standard arguments that are completely parallel to the well-known case of the Airy functions, see e.g. [Was02].

**Asymptotics for  $g$ .** Use the Cauchy theorem to rotate the contour

$$g(\lambda; N) = \frac{(-i)^N}{(N-1)!} \int_0^{+\infty} x^{N-1} e^{\frac{ix^3}{3}} e^{i\lambda x} dx \tag{A.4}$$

(now the integral is only conditionally convergent). The series expansion  $x^{N-1} \exp \frac{ix^3}{3} = \sum_{a \geq 0} \frac{i^a}{3^a a!} x^{3a+N-1}$  together with Watson's lemma (see e.g. [Olv97]) gives

$$g(\lambda; N) \sim \frac{(-i)^N}{(N-1)!} \sum_{a \geq 0} \frac{i^a}{3^a a!} \Gamma(3a+N) (-i\lambda)^{-3a-N}, \quad -\frac{\pi}{2} < \arg(-i\lambda) < \frac{\pi}{2} \tag{A.5}$$

Rotating the contour of integration within the sector  $0 < \arg x < \frac{\pi}{3}$  we infer that the above asymptotic expansion holds in the bigger sector  $-\frac{\pi}{3} < \arg \lambda < \pi$ . This in particular proves Proposition 2.7.

## B Proof of Proposition 2.24

Denote

$$\zeta_k := \begin{cases} \lambda_k & 1 \leq k \leq n_1 \\ \mu_{k-n_1} & n_1 + 1 \leq k \leq n \end{cases} \quad A_k := \begin{cases} \mathbf{e}_3^\top \Gamma^{-1}(\zeta_k) & 1 \leq k \leq n_1 \\ \mathbf{e}_2^\top \Gamma^{-1}(\zeta_k) & n_1 + 1 \leq k \leq n \end{cases} \tag{B.1}$$

so that we rewrite the characteristic matrix (2.57) as

$$\mathbf{G}_{k,\ell} = \operatorname{res}_{\lambda=\infty} \frac{\lambda^{\lfloor \frac{\ell-1}{2} \rfloor}}{\lambda - \zeta_k} A_k G_\infty(\lambda) \mathbf{e}_{2+(\ell \bmod 2)} \quad (k, \ell = 1, \dots, n). \tag{B.2}$$

First we compute  $A_k$ . Consider the pair of mutually adjoint (in the classical sense) differential operators  $L, \widehat{L}$  given by

$$L := \partial_\lambda^3 - \lambda \partial_\lambda - N, \quad \widehat{L} := -\partial_\lambda^3 + \lambda \partial_\lambda - N + 1. \quad (\text{B.3})$$

According to the general theory (see e.g. [Inc56]) there exists a non-degenerate bilinear pairing between the kernels of  $L, \widehat{L}$  that uses the *bilinear concomitant identity*; to express such identity we introduce the matrix bilinear concomitant

$$\mathcal{B}(\lambda) := \begin{bmatrix} -\lambda & 0 & 1 \\ 0 & -1 & 0 \\ 1 & 0 & 0 \end{bmatrix} \quad (\text{B.4})$$

Given any solution  $u$  of  $Lu = 0$  and any solution  $\widehat{u}$  of  $\widehat{L}\widehat{u} = 0$  we define their *bilinear concomitant* as the bilinear expression

$$\mathcal{B}[u, \widehat{u}] := \begin{bmatrix} \widehat{u} & \widehat{u}' & \widehat{u}'' \end{bmatrix} \mathcal{B}(\lambda) \begin{bmatrix} u \\ u' \\ u'' \end{bmatrix} = \widehat{u}u'' + \widehat{u}''u - \widehat{u}'u' - \lambda \widehat{u}u \quad (\text{B.5})$$

The above expression is, in fact, independent of  $\lambda$  and we have:

**Proposition B.1** (Lagrange identity). *The bilinear concomitant (B.5) is independent of  $\lambda$  and gives a non-degenerate pairing between the solution spaces of the operators  $L, \widehat{L}$ .*

**Proof.** The independence of  $\lambda$  follows from the identity

$$0 = \widehat{u}Lu - u\widehat{L}\widehat{u} = \widehat{u}u''' + \widehat{u}''u - \lambda(\widehat{u}u' + \widehat{u}'u) - \widehat{u}u = (\widehat{u}u'' + \widehat{u}''u - \widehat{u}'u' - \lambda \widehat{u}u)' = (\mathcal{B}[u, \widehat{u}])'. \quad (\text{B.6})$$

The nondegeneracy of the pairing follows from  $\det \mathcal{B} = 1$ . ■

**Proposition B.2.** *Denote*

$$\phi_k := \begin{cases} \omega^{N+\frac{1}{2}} f(\omega^{-1}\lambda_k; N) & 1 \leq k \leq n_1, \lambda_k \in I \\ f(\lambda_k; N) & 1 \leq k \leq n_1, \lambda_k \in II \cup III \\ \omega^{-N-\frac{1}{2}} f(\omega\lambda_k; N) & 1 \leq k \leq n_1, \lambda_k \in IV \\ \omega^{\frac{N}{2}+\frac{1}{4}} f(\omega\mu_k; N) & n_1+1 \leq k \leq n_1, \mu_k \in I \cup II \\ \omega^{-\frac{N}{2}-\frac{1}{4}} f(\omega^{-1}\mu_k; N) & n_1+1 \leq k \leq n_1, \mu_k \in III \cup IV \end{cases} \quad Q_k := \begin{cases} \frac{2}{3}\lambda_k^{\frac{3}{2}} & 1 \leq k \leq n_1 \\ -\frac{2}{3}\mu_k^{\frac{3}{2}} & n_1+1 \leq k \leq n \end{cases} \quad (\text{B.7})$$

*Then the row-vectors  $A_k$  defined in (B.1) can be expressed as follows;*

$$A_k = e^{Q_k} [\phi_k, \phi_k', \phi_k''] \mathcal{B}(\zeta_k) \quad (\text{B.8})$$

**Proof.** Let us consider the case  $k = 1, \dots, n_1$  with  $\lambda_k \in II \cup III$ , the other cases are completely analogous. The Proposition follows from the following identity in which we set  $\lambda = \lambda_k$ :

$$[f(\lambda; N), -f(\lambda; N-1), f(\lambda; N-2)] \mathcal{B}(\lambda) \Psi(\lambda) = \mathbf{e}_3^\top. \quad (\text{B.9})$$

The equation (B.9) follows from the fact that the left-hand side is a constant row vector, because of Prop. B.1, which is asymptotic to  $\mathbf{e}_3^\top$  when  $\lambda \rightarrow +\infty$ .  $\blacksquare$

Therefore we can use the expansion (2.49) and write the characteristic matrix (2.57) as,

$$\mathbf{G}_{k,\ell} = \operatorname{res}_{\lambda=\infty} \frac{\lambda^{\lfloor \frac{\ell-1}{2} \rfloor}}{\lambda - \zeta_k} e^{Q_k} [\phi_k, \phi'_k, \phi''_k] \mathcal{B}(\zeta_k) \lambda^S G Y_0 \tilde{D} G^{-1} \lambda^{-S} \mathbf{e}_{2+(\ell \bmod 2)} \quad (k, \ell = 1, \dots, n). \quad (\text{B.10})$$

From now on we denote  $F_r^\pm := \frac{1}{\sqrt{2}} F_\pm(\lambda; r)$  for short.

**Lemma B.3.** *Let  $\phi := \phi_k$  as in (B.7) and  $\zeta := \zeta_k$  as in (B.1). For any integer  $J \geq 0$  the following identities of formal expansions hold true:*

$$\begin{aligned} & \frac{[\phi, \phi', \phi''] \mathcal{B}(\lambda) \lambda^S G Y_0(\lambda)}{\lambda - \zeta} \mathbf{e}_2 = - \sum_{r=1}^J \lambda^{-1-\frac{r}{2}} \phi^{(r)} F_{-N+r+1}^- + \\ & - \sum_{m \geq 0} \frac{\zeta^m}{\lambda^m} \left( \lambda^{-\frac{J+3}{2}} \phi^{(J+1)} F_{-N+J}^- + \lambda^{-\frac{J+4}{2}} \phi^{(J+2)} F_{-N+J+1}^- - \lambda^{-\frac{J+5}{2}} (N-J-1) \phi^{(J)} F_{-N+J+2}^- \right) \end{aligned} \quad (\text{B.11})$$

$$\begin{aligned} & \frac{[\phi, \phi', \phi''] \mathcal{B}(\lambda) \lambda^S G Y_0(\lambda)}{\lambda - \zeta} \mathbf{e}_3 = \sum_{r=1}^J (-1)^r \lambda^{-1-\frac{r}{2}} \phi^{(r)} F_{-N+r+1}^+ + \\ & + \sum_{m \geq 0} \frac{\zeta^m}{\lambda^m} \left( (-1)^{J+1} \lambda^{-\frac{J+3}{2}} \phi^{(J+1)} F_{-N+J}^+ + (-1)^J \lambda^{-\frac{J+4}{2}} \phi^{(J+2)} F_{-N+J+1}^+ + \right. \\ & \left. (-1)^J \lambda^{-\frac{J+5}{2}} (N-J-1) \phi^{(J)} F_{-N+J+2}^+ \right). \end{aligned} \quad (\text{B.12})$$

**Proof.** The proof is inductive with respect to  $J$ . First compute (we are only interested in the second and third columns)

$$\lambda^S G Y_0(\lambda) \sim \begin{bmatrix} \star & -\lambda^{-1} F_{-N+1}^- & \lambda^{-1} F_{-N+1}^+ \\ \star & \lambda^{-\frac{1}{2}} F_{-N}^- & \lambda^{-\frac{1}{2}} F_{-N}^+ \\ \star & -F_{-N-1}^- & F_{-N-1}^+ \end{bmatrix} \quad (\text{B.13})$$

where  $F_r^\pm := F_\pm(\lambda; r) = \sum_{j \geq 0} (\pm 1)^j C_j(N) \lambda^{-\frac{3j}{2}}$  and  $C_n(N)$  are introduced in Prop. 2.3 in formulas (2.8), (2.7). Now we use the recursions (2.9) to write

$$\mathcal{B}(\lambda) \lambda^S G Y_0(\lambda) \sim \begin{bmatrix} \star & \lambda^{-\frac{3}{2}} (N-1) F_{-N+2}^- & \lambda^{-\frac{3}{2}} (N-1) F_{-N+2}^+ \\ \star & -\lambda^{-\frac{1}{2}} F_{-N}^- & -\lambda^{-\frac{1}{2}} F_{-N}^+ \\ \star & -\lambda^{-1} F_{-N+1}^- & \lambda^{-1} F_{-N+1}^+ \end{bmatrix} \quad (\text{B.14})$$

Inserting the last expression into  $\frac{[\phi, \phi', \phi'']}{\lambda - \zeta} \mathcal{B}(\lambda) \lambda^S G Y_0(\lambda) \mathbf{e}_{2,3}$  and expanding  $\frac{1}{\lambda - \zeta} = \sum_{m \geq 0} \frac{\zeta^m}{\lambda^{m+1}}$  gives (B.11)

and (B.12) with  $J = 0$ .

We now proceed with the inductive step: we verify (B.11) only, (B.12) being completely analogous. Assume that (B.11) holds true for an integer  $J \geq 0$  and substitute

$$(N - J - 1) \phi^{(J)} = \zeta \phi^{(J+1)} - \phi^{(J+3)} \quad (\text{B.15})$$

(obtained by taking  $J$  derivatives of  $\phi''' - \zeta\phi' + (N-1)\phi = 0$ ) into (B.11) to get:

$$\begin{aligned}
& - \sum_{r=1}^J \lambda^{-1-\frac{r}{2}} \phi^{(r)} F_{-N+r+1}^- + \\
& - \sum_{m \geq 0} \frac{\zeta^m}{\lambda^m} \left( \lambda^{-\frac{J+3}{2}} \phi^{(J+1)} F_{-N+J}^- + \lambda^{-\frac{J+4}{2}} \phi^{(J+2)} F_{-N+J+1}^- + \lambda^{-\frac{J+5}{2}} (\phi^{(J+3)} - \zeta\phi^{(J+1)}) F_{-N+J+2}^- \right).
\end{aligned} \tag{B.16}$$

We now re-organize the second summation

$$\begin{aligned}
& - \left( \sum_{r=1}^J \lambda^{-1-\frac{r}{2}} \phi^{(r)} F_{-N+r+1}^- \right) - \lambda^{-\frac{J+3}{2}} \phi^{(J+1)} F_{-N+J+2}^- + \\
& - \sum_{m \geq 0} \frac{\zeta^m}{\lambda^m} \left( \lambda^{-\frac{J+3}{2}} \phi^{(J+1)} (F_{-N+J}^- - F_{-N+J+2}^-) + \lambda^{-\frac{J+4}{2}} \phi^{(J+2)} F_{-N+J+1}^- + \lambda^{-\frac{J+5}{2}} \phi^{(J+3)} F_{-N+J+2}^- \right).
\end{aligned} \tag{B.17}$$

Finally we substitute the identity  $F_{-N+J}^- - F_{-N+J+2}^- = -\lambda^{-\frac{3}{2}}(N-J-2)F_{-N+J+3}^-$  obtained from (2.9) with the replacement  $N \rightarrow -N+J+2$ . This yields

$$\begin{aligned}
& - \sum_{r=1}^{J+1} \lambda^{-1-\frac{r}{2}} \phi^{(r)} F_{-N+r+1}^- + \\
& - \sum_{m \geq 0} \frac{\zeta^m}{\lambda^m} \left( -\lambda^{-\frac{J+6}{2}} \phi^{(J+1)} (N-J-2) F_{-N+J+3}^- + \lambda^{-\frac{J+4}{2}} \phi^{(J+2)} F_{-N+J+1}^- + \lambda^{-\frac{J+5}{2}} \phi^{(J+3)} F_{-N+J+2}^- \right).
\end{aligned} \tag{B.18}$$

This is the identity (B.11) under the substitution  $J \mapsto J+1$ . The proof is complete.  $\blacksquare$

In particular we shall use the following corollary of Lemma B.3: for any  $J \geq 0$  we have

$$\begin{aligned}
\frac{[\phi_k, \phi'_k, \phi''_k] \mathcal{B}(\lambda) \lambda^S G Y_0(\lambda)}{\lambda - \zeta_k} \mathbf{e}_2 &= - \sum_{r=1}^J \lambda^{-1-\frac{r}{2}} \phi_k^{(r)} F_{-N+r+1}^- + \mathcal{O}\left(\lambda^{-\frac{J+3}{2}}\right) \\
\frac{[\phi_k, \phi'_k, \phi''_k] \mathcal{B}(\lambda) \lambda^S G Y_0(\lambda)}{\lambda - \zeta_k} \mathbf{e}_3 &= \sum_{r=1}^J (-1)^r \lambda^{-1-\frac{r}{2}} \phi_k^{(r)} F_{-N+r+1}^+ + \mathcal{O}\left(\lambda^{-\frac{J+3}{2}}\right)
\end{aligned} \tag{B.19}$$

By construction, the columns of the characteristic matrix are obtained as follows: the  $(2K-1)$ -th and  $2K$ -th columns of  $\mathbf{G}$  correspond to, respectively, the second and first entries of the coefficient in front of  $\lambda^{-K}$  in the 2-dimensional row-vector power-series (at  $\lambda = \infty$ ) below ( $k$  is the row index of  $\mathbf{G}$ )

$$\frac{1}{\lambda - \zeta_k} e^{Q_k} [\phi_k, \phi'_k, \phi''_k] \mathcal{B}(\zeta_k) \lambda^S G Y_0 \tilde{D} G^{-1} \lambda^{-S} \begin{bmatrix} 0 & 0 \\ 1 & 0 \\ 0 & 1 \end{bmatrix} \tag{B.20}$$

Let us simplify the last expression: first compute

$$\tilde{D} G^{-1} \lambda^{-S} \begin{bmatrix} 0 & 0 \\ 1 & 0 \\ 0 & 1 \end{bmatrix} = \frac{1}{\sqrt{2}} \begin{bmatrix} 0 & 0 \\ \beta_+ \lambda^{\frac{1}{2}} & \beta_+ \\ -\beta_- \lambda^{\frac{1}{2}} & \beta_- \end{bmatrix} \tag{B.21}$$



where  $\beta_{\pm} = \lambda^{-\frac{n}{2}} \pi_{\pm}$ . The power series (B.20) can be rewritten using the identity

$$\frac{\mathcal{B}(\zeta_k)}{\lambda - \zeta_k} = E_{11} + \frac{\mathcal{B}(\lambda)}{\lambda - \zeta_k} \quad (\text{B.22})$$

(where  $E_{11}$  is the elementary unit matrix). This gives the equation

$$\begin{aligned} & e^{Q_k} [\phi_k, \phi'_k, \phi''_k] \left( E_{11} + \frac{\mathcal{B}(\lambda)}{\lambda - \zeta_k} \right) \lambda^S G Y_0 \frac{1}{\sqrt{2}} \begin{bmatrix} 0 & 0 \\ \beta_+ \lambda^{\frac{1}{2}} & \beta_+ \\ -\beta_- \lambda^{\frac{1}{2}} & \beta_- \end{bmatrix} = \\ & = \frac{e^{Q_k}}{\sqrt{2}\lambda} \left[ - \sum_{r=0}^{n-1} \lambda^{-\frac{r}{2}} \phi_k^{(r)} F_{-N+r+1}^- + \mathcal{O}(\lambda^{-\frac{n}{2}}), \quad \sum_{r=0}^{n-1} (-1)^r \lambda^{-\frac{r}{2}} \phi_k^{(r)} F_{-N+r+1}^+ + \mathcal{O}(\lambda^{-\frac{n}{2}}) \right] \begin{bmatrix} \beta_+ \lambda^{\frac{1}{2}} & \beta_+ \\ -\beta_- \lambda^{\frac{1}{2}} & \beta_- \end{bmatrix} = \\ & = e^{Q_k} \left[ - \sum_{r \text{ odd}} \lambda^{-\frac{r+1}{2}} \phi_k^{(r)} (1 + \mathcal{O}(\lambda^{-1})) + \sum_{r \text{ even}} \star \lambda^{-\frac{r+2}{2}} \phi_k^{(r)} (1 + \mathcal{O}(\lambda^{-1})) + \mathcal{O}(\lambda^{-\frac{n+2}{2}}), \right. \\ & \quad \left. \sum_{r \text{ odd}} \star \lambda^{-\frac{r+1}{2}} \phi_k^{(r)} (1 + \mathcal{O}(\lambda^{-1})) + \sum_{r \text{ even}} \lambda^{-\frac{r+2}{2}} \phi_k^{(r)} (1 + \mathcal{O}(\lambda^{-1})) + \mathcal{O}(\lambda^{-\frac{n+2}{2}}) \right] \end{aligned} \quad (\text{B.23})$$

where we have used (B.19) with  $J = n - 1$  and then the monodromy properties  $\beta_{\pm}(\lambda e^{2\pi i}) = \beta_{\mp}(\lambda)$ ,  $F_{\ell}^{\pm}(\lambda e^{2\pi i}) = F_{\ell}^{\mp}(\lambda)$ ; the expansions in the last expression contain only integer powers of  $\lambda$ . The  $\star$  denotes an expression independent of  $\lambda$  and of the index  $k$  and irrelevant to the discussion. The  $\mathcal{O}$  expressions are independent of  $k$ .

From the last expression we obtain that the wedge of the columns in  $\mathbf{G}$  is, performing triangular transformations on  $\mathbf{G}$  and up to an irrelevant sign,

$$e^{\sum_{\ell=1}^n Q_{\ell}} \begin{bmatrix} \phi_1 \\ \vdots \\ \phi_n \end{bmatrix} \wedge \begin{bmatrix} \phi'_1 \\ \vdots \\ \phi'_n \end{bmatrix} \wedge \cdots \wedge \begin{bmatrix} \phi_1^{(n-1)} \\ \vdots \\ \phi_n^{(n-1)} \end{bmatrix} \quad (\text{B.24})$$

For example, if we look at the  $2K$ -th column of  $G$  we need to extract the coefficient of  $\lambda^{-K}$  from the first component of (B.23): the main term comes from the term  $r = 2K - 1$  in the first sum and then there are other terms with  $r < 2K - 1$  coming from both sums. These additional terms correspond to a linear combination of the previous columns of  $G$  and hence do not affect the determinant. Using  $Q = \sum_{\ell=1}^n Q_{\ell}$ , the proof of Proposition 2.24 is complete.  $\blacksquare$

## C Table of open intersection numbers

Nonzero one-point correlators  $\langle \tau_{\frac{3g-1}{2}} \rangle$  for  $1 \leq g \leq 35$

$$\begin{aligned}
 \langle \tau_1 \rangle &= \frac{N^2}{2} + \frac{1}{24}, & \langle \tau_{\frac{5}{2}} \rangle &= \frac{N(N^2+1)}{12}, & \langle \tau_4 \rangle &= \frac{16N^4+56N^2+1}{1152}, & \langle \tau_{\frac{11}{2}} \rangle &= \frac{N(3N^4+25N^2+12)}{2880}, & \langle \tau_7 \rangle &= \frac{192N^6+3120N^4+5508N^2+25}{2073600}, \\
 \langle \tau_{\frac{17}{2}} \rangle &= \frac{N(3N^6+84N^4+357N^2+116)}{725760}, & \langle \tau_{10} \rangle &= \frac{2304N^8+102144N^6+848736N^4+1030896N^2+1225}{9754214400}, \\
 \langle \tau_{\frac{23}{2}} \rangle &= \frac{N(N^8+66N^6+945N^4+2764N^2+704)}{139345920}, & \langle \tau_{13} \rangle &= \frac{1024N^{10}+96000N^8+2174592N^6+12408800N^4+11798484N^2+3675}{3511517184000}, \\
 \langle \tau_{\frac{29}{2}} \rangle &= \frac{N(3N^{10}+385N^8+12969N^6+127215N^4+289828N^2+62400)}{459841536000}, \\
 \langle \tau_{16} \rangle &= \frac{4096N^{12}+698368N^{10}+33378048N^8+516817664N^6+2287011056N^4+1823347368N^2+148225}{20394891804672000}, \\
 \langle \tau_{\frac{35}{2}} \rangle &= \frac{N(3N^{12}+663N^{10}+43329N^8+995709N^6+7546968N^4+14318928N^2+2720000)}{860823355392000}, \\
 \langle \tau_{19} \rangle &= \frac{49152N^{14}+13791232N^{12}+1196203008N^{10}+38934694656N^8+464449713728N^6+1702700165712N^4+1186262049012N^2+25050025}{579051768118247424000}, \\
 \langle \tau_{\frac{41}{2}} \rangle &= \frac{N(3N^{14}+1050N^{12}+117936N^{10}+5240950N^8+92561469N^6+578869200N^4+952988592N^2+164012800)}{2530820664852480000}, \\
 \langle \tau_{22} \rangle &= (196608N^{16}+84541440N^{14}+12045336576N^{12}+709486469120N^{10}+17711538983424N^8+173768644707840N^6+ \\
 &+ 549856542467392N^4+343891814589600N^2+1878751875)/8338345460902762905600000, \\
 \langle \tau_{\frac{47}{2}} \rangle &= \frac{N(9N^{16}+4692N^{14}+833238N^{12}+63480924N^{10}+2159911897N^8+31292109576N^6+16822776656N^4+246969815808N^2+39197491200)}{33042394600313978880000}, \\
 \langle \tau_{25} \rangle &= (786432N^{18}+491323392N^{16}+107118526464N^{14}+10341480873984N^{12}+465685699454976N^{10}+9515782193389056N^8+ \\
 &+ 79996540499728128N^6+224604466722581568N^4+128475889764619500N^2+180986430625)/173504292350464690539724800000, \\
 \langle \tau_{\frac{53}{2}} \rangle &= N(3N^{18}+2223N^{16}+587214N^{14}+70595526N^{12}+4106559015N^{10}+114161660379N^8+1413489083016N^6+ \\
 &+ 6716420289072N^4+8963785066752N^2+1328600268800)/67802993719844284661760000, \\
 \langle \tau_{28} \rangle &= (9437184N^{20}+8218214400N^{18}+2599932985344N^{16}+383417244057600N^{14}+28231124693950464N^{12}+1037084389334323200N^{10}+ \\
 &+ 18071584866415010304N^8+133861937156213875200N^6+340105859130592186704N^4+ \\
 &+ 180359927192758704600N^2+65336101455625)/15032411889244260788361756672000000, \\
 \langle \tau_{\frac{59}{2}} \rangle &= N(3N^{20}+3045N^{18}+1141938N^{16}+203887290N^{14}+18675776343N^{12}+885062763585N^{10}+20943687365988N^8+227906671223280N^6+ \\
 &+ 976427326945728N^4+1201616243532800N^2+167890903040000)/569545147246691991158784000000, \\
 \langle \tau_{31} \rangle &= (12582912N^{22}+14775484416N^{20}+6508661440512N^{18}+1390836757364736N^{16}+156138779873083392N^{14}+9355246545848426496N^{12}+ \\
 &+ 292079263388984338432N^{10}+4463715935799807515136N^8+29725206956587972412352N^6+ \\
 &+ 6934842401324893599216N^4+34445896534945699724900N^2+3201468971325625)/194459280199263757558247684308992000000, \\
 \langle \tau_{\frac{65}{2}} \rangle &= N(9N^{22}+12144N^{20}+6232149N^{18}+1577715084N^{16}+214268934099N^{14}+15954755869584N^{12}+641741905745919N^{10}+13294651110734004N^8+ \\
 &+ 129748137025654224N^6+508732601242709184N^4+583565266267673600N^2+77419952332800000)/19020529737450525736738750464000000, \\
 \langle \tau_{34} \rangle &= (150994944N^{24}+232683208704N^{22}+138084895162368N^{20}+41038414284324864N^{18}+6665769736718450688N^{16}+607760659467887837184N^{14}+ \\
 &+ 30870378013054268325888N^{12}+842480952377247016525824N^{10}+11523862433261066955187968N^8+70040459436414792986605824N^6+ \\
 &+ 151735363253374303757178144N^4+71159276436758220421947600N^2+1693577085831255625)/29626260256918231991514151199843549184000000, \\
 \langle \tau_{\frac{71}{2}} \rangle &= N(9N^{24}+15750N^{22}+10736055N^{20}+3715305000N^{18}+714467029815N^{16}+78742316706750N^{14}+ \\
 &+ 4965413908715385N^{12}+174350272423288500N^{10}+322726390545858520N^8+28681192085729304000N^6+ \\
 &+ 10410755779136393216N^4+112264789305722880000N^2+14223505875927040000)/273895628219287570609038006681600000000,
 \end{aligned}$$

$$\begin{aligned}
\langle \tau_{37} \rangle &= (1811939328N^{26} + 3582355046400N^{24} + 2787744531087360N^{22} + 1115077072807526400N^{20} + 251590011063565025280N^{18} + \\
&+ 33138449323254728294400N^{16} + 2556425163971371197726720N^{14} + 113223358101371194076774400N^{12} + 2756808892688324683107824640N^{10} + \\
&+ 3427297665668588849615430400N^8 + 192354889204987160338838316672N^6 + 390398165386846814440372428000N^4 + \\
&+ 173966964419611918411839517500N^2 + 1058485678644534765625) / 577712075009905523834525948396949209088000000000, \\
\left\langle \tau_{\frac{77}{2}} \right\rangle &= N(N^{26} + 2223N^{24} + 1963845N^{22} + 901893135N^{20} + 236819889735N^{18} + 36906202951605N^{16} + 3438658175455215N^{14} + \\
&+ 188880046083711645N^{12} + 5909445554333014980N^{10} + 99255431931246688240N^8 + 812826672988328716224N^6 + 2756329274408365873152N^4 + \\
&+ 2813279836964648960000N^2 + 341983288874106880000) / 555460334028715193195129077550284800000000, \\
\langle \tau_{40} \rangle &= (268435456N^{28} + 668001632256N^{26} + 666484888043520N^{24} + 349289336820203520N^{22} + 105959317532820111360N^{20} + \\
&+ 19362525622587933327360N^{18} + 215449576664566978314240N^{16} + 144644590756018910238474240N^{14} + 5701749549787366356514222080N^{12} + \\
&+ 125793667873035366533829294080N^{10} + 1438475401975400176548284377344N^8 + 7524681881638971477232896908544N^6 + 14409670664017625441442987246000N^4 + \\
&+ 6133179604447412937555105285000N^2 + 9526371107800812890625) / 17470013148299543040756064679523744082821120000000000, \\
\left\langle \tau_{\frac{83}{2}} \right\rangle &= N(3N^{28} + 8323N^{26} + 9334143N^{24} + 5551270335N^{22} + 1932625559865N^{20} + 410779697815305N^{18} + 54043957766495925N^{16} + \\
&+ 4378648185185293845N^{14} + 213848568458638036560N^{12} + 6054930086513129833440N^{10} + \\
&+ 93398815010809285798912N^8 + 711479288477940634858752N^6 + 2270589046750613021294592N^4 + \\
&+ 2205775537731744849920000N^2 + 258262461203262996480000) / 37886838463430605897453364121549825638400000000, \\
\langle \tau_{43} \rangle &= (1073741824N^{30} + 3308466995200N^{28} + 4152361563979776N^{26} + 278810333914496000N^{24} + 1107214943018821877760N^{22} + \\
&+ 27174887503688175200000N^{20} + 41897331291006657103134720N^{18} + 4050945201217520716455936000N^{16} + 241599398869348056375789404160N^{14} + \\
&+ 8609344178313376924100539904000N^{12} + 174204426063863194634949737286656N^{10} + 1849889836089218022250893529132800N^8 + \\
&+ 9087344214453261213296493811015104N^6 + 16515956825060389623153892117086000N^4 + 6743423432363384359569201005497500N^2 + \\
&+ 2670559367220161213671875) / 176307372692638988367310204745753625283830743040000000000, \\
\left\langle \tau_{\frac{89}{2}} \right\rangle &= N(3N^{30} + 10230N^{28} + 14310282N^{26} + 10797034950N^{24} + 4863897529920N^{22} + 1369377408631050N^{20} + 245438133160091190N^{18} + \\
&+ 28040134114127700450N^{16} + 2016553574286500994045N^{14} + 88945467688125986909400N^{12} + 2307015640350087041087232N^{10} + \\
&+ 32998166006340828793019520N^8 + 235623064500239301846467328N^6 + 711977968054625435950694400N^4 + \\
&+ 661366619180251727339520000N^2 + 74827468199586758656000000) / 1057042793129713904538948858991240135311360000000000, \\
\langle \tau_{46} \rangle &= (12884901888N^{32} + 48464410968064N^{30} + 75275548892332032N^{28} + 63540993176754978816N^{26} + 32305430292879397355520N^{24} + \\
&+ 10370481568264527764520960N^{22} + 2145232738948850922647715840N^{20} + 287033536702127742019405086720N^{18} + 24616567362702008913924113694720N^{16} + \\
&+ 1324765778287049017527651851304960N^{14} + 43199836353610510669596725253865472N^{12} + 809509736892681198367241725112303616N^{10} + \\
&+ 8045031807244484567934874330207638528N^8 + 37344181294978783570591721693139876864N^6 + 64730195732729533165125625841012496000N^4 + \\
&+ 2544507745838889031597932372645960000N^2 + 2566407551898574926338671875) / 65061651900528410043258280996096985816740356119592960000000000, \\
\left\langle \tau_{\frac{95}{2}} \right\rangle &= N(3N^{32} + 12408N^{30} + 21323412N^{28} + 20055762232N^{26} + 11454070025970N^{24} + 4169373007077720N^{22} + 988892153638810740N^{20} + \\
&+ 153734020659819173640N^{18} + 15568629025743559408995N^{16} + 1009519377988605493054320N^{14} + 40709157127073869063417632N^{12} + \\
&+ 976740709911587217252893952N^{10} + 13056845467163879175082824448N^8 + 87948086058419995309074505728N^6 + 252897236774376421971242188800N^4 + \\
&+ 22551137360220039295467520000N^2 + 24723317733187169288192000000) / 35719590065439292262180159843031986652441477120000000000, \\
\langle \tau_{49} \rangle &= (51539607552N^{34} + 233719235346432N^{32} + 442934093131284480N^{30} + 462450991762786746368N^{28} + 295390315160740275683328N^{26} + \\
&+ 121308641907934024622407680N^{24} + 32792156455715070124322979840N^{22} + 5880715146514830637586668584960N^{20} + 697065636065712916547896085053440N^{18} + \\
&+ 53863958762978282913637251929210880N^{16} + 2647951245938155330851503196191981568N^{14} + 79795408414779173454856101590903390208N^{12} + \\
&+ 1395760693072968025784367191095072460800N^{10} + 13065678711042577835847524520160601705472N^8 + \\
&+ 57609003290994717825863703762658802068992N^6 + 95626633867412782236501598237356262608000N^4 + 36302569641668944177809901723376068567500N^2 + \\
&+ 931605941339182698260937890625) / 96358908930758596410467244486459479874025137027361957478400000000000, \\
\left\langle \tau_{\frac{101}{2}} \right\rangle &= N(9N^{34} + 44625N^{32} + 92975652N^{30} + 107377251300N^{28} + 76401171605374N^{26} + 35232914199851550N^{24} + 10795521043518018660N^{22} + \\
&+ 2218740460554639136500N^{20} + 305406324629174848883265N^{18} + 27849118985207501173025625N^{16} + 1648346494085042490149359536N^{14} + \\
&+ 61370767120020648407067132000N^{12} + 1373015572590141786606818715648N^{10} + 17265746172191035097369934035200N^8 + \\
&+ 110291644376328313331655537401856N^6 + 303101327642788954161961161523200N^4 + 260319747106223633779631063040000N^2 + \\
&+ 27720320206225861244878848000000) / 433564384214302129478342780174722253987334649282560000000000.
\end{aligned}$$

**Nonzero two-point correlators  $\langle \tau_{\frac{d_1}{2}} \tau_{\frac{d_2}{2}} \rangle$ , for  $0 \leq d_1 \leq d_2 \leq 30$**

$$\begin{aligned}
 \langle \tau_0 \tau_{\frac{1}{2}} \rangle &= N, & \langle \tau_1^2 \rangle &= \frac{N^2}{2} + \frac{1}{24}, & \langle \tau_{\frac{1}{2}} \tau_{\frac{3}{2}} \rangle &= \frac{N^2}{2}, & \langle \tau_0 \tau_2 \rangle &= \frac{N^2}{2} + \frac{1}{24}, & \langle \tau_{\frac{3}{2}} \tau_2 \rangle &= \frac{2N^3 + N}{6}, & \langle \tau_1 \tau_{\frac{5}{2}} \rangle &= \frac{N^3 + N}{6}, & \langle \tau_{\frac{5}{2}}^2 \rangle &= \frac{N^2(N^2 + 3)}{16}, \\
 \langle \tau_{\frac{1}{2}} \tau_3 \rangle &= \frac{N(4N^2 + 3)}{24}, & \langle \tau_2 \tau_3 \rangle &= \frac{N^4}{8} + \frac{13N^2}{48} + \frac{29}{5760}, & \langle \tau_0 \tau_{\frac{7}{2}} \rangle &= \frac{N^3 + N}{12}, & \langle \tau_{\frac{3}{2}} \tau_{\frac{7}{2}} \rangle &= \frac{N^2(3N^2 + 7)}{48}, & \langle \tau_3 \tau_{\frac{7}{2}} \rangle &= \frac{N(36N^4 + 195N^2 + 79)}{1440}, \\
 \langle \tau_1 \tau_4 \rangle &= \frac{16N^4 + 56N^2 + 1}{384}, & \langle \tau_{\frac{5}{2}} \tau_4 \rangle &= \frac{N(12N^4 + 85N^2 + 33)}{720}, & \langle \tau_4^2 \rangle &= \frac{6720N^6 + 89040N^4 + 130284N^2 + 607}{1451520}, & \langle \tau_{\frac{1}{2}} \tau_{\frac{9}{2}} \rangle &= \frac{N^2(N^2 + 3)}{48}, \\
 \langle \tau_2 \tau_{\frac{9}{2}} \rangle &= \frac{N(6N^4 + 35N^2 + 13)}{360}, & \langle \tau_{\frac{7}{2}} \tau_{\frac{9}{2}} \rangle &= \frac{N^2(N^4 + 11N^2 + 16)}{288}, & \langle \tau_0 \tau_5 \rangle &= \frac{16N^4 + 56N^2 + 1}{1152}, & \langle \tau_{\frac{3}{2}} \tau_5 \rangle &= \frac{N(8N^4 + 50N^2 + 17)}{720}, \\
 \langle \tau_3 \tau_5 \rangle &= \frac{6720N^6 + 75600N^4 + 107436N^2 + 503}{1451520}, & \langle \tau_{\frac{9}{2}} \tau_5 \rangle &= \frac{N(40N^6 + 770N^4 + 2681N^2 + 751)}{60480}, & \langle \tau_1 \tau_{\frac{11}{2}} \rangle &= \frac{N(3N^4 + 25N^2 + 12)}{720}, \\
 \langle \tau_{\frac{5}{2}} \tau_{\frac{11}{2}} \rangle &= \frac{N^2(N^4 + 14N^2 + 21)}{576}, & \langle \tau_4 \tau_{\frac{11}{2}} \rangle &= \frac{N(60N^6 + 1365N^4 + 4851N^2 + 1396)}{120960}, & \langle \tau_{\frac{2}{2}}^2 \rangle &= \frac{N^2(3N^6 + 106N^4 + 735N^2 + 788)}{55296}, \\
 \langle \tau_{\frac{1}{2}} \tau_6 \rangle &= \frac{N(16N^4 + 120N^2 + 49)}{5760}, & \langle \tau_2 \tau_6 \rangle &= \frac{960N^6 + 11760N^4 + 16404N^2 + 77}{414720}, & \langle \tau_{\frac{7}{2}} \tau_6 \rangle &= \frac{N(48N^6 + 952N^4 + 3283N^2 + 939)}{96768}, \\
 \langle \tau_5 \tau_6 \rangle &= \frac{1792N^8 + 55552N^6 + 376992N^4 + 398992N^2 + 487}{18579456}, & \langle \tau_0 \tau_{\frac{13}{2}} \rangle &= \frac{N(3N^4 + 25N^2 + 12)}{2880}, & \langle \tau_{\frac{3}{2}} \tau_{\frac{13}{2}} \rangle &= \frac{N^2(N^4 + 13N^2 + 18)}{1152}, \\
 \langle \tau_3 \tau_{\frac{13}{2}} \rangle &= \frac{N(180N^6 + 3675N^4 + 12509N^2 + 3644)}{483840}, & \langle \tau_{\frac{9}{2}} \tau_{\frac{13}{2}} \rangle &= \frac{N^2(3N^6 + 94N^4 + 635N^2 + 676)}{55296}, \\
 \langle \tau_6 \tau_{\frac{13}{2}} \rangle &= \frac{N(560N^8 + 26040N^6 + 304059N^4 + 775225N^2 + 180876)}{69672960}, & \langle \tau_1 \tau_7 \rangle &= \frac{192N^6 + 3120N^4 + 5508N^2 + 25}{414720}, \\
 \langle \tau_{\frac{5}{2}} \tau_7 \rangle &= \frac{N(48N^6 + 1176N^4 + 4347N^2 + 1219)}{241920}, & \langle \tau_4 \tau_7 \rangle &= \frac{5376N^8 + 195328N^6 + 1367520N^4 + 1462448N^2 + 1781}{92897280}, \\
 \langle \tau_{\frac{11}{2}} \tau_7 \rangle &= \frac{N(80N^8 + 4200N^6 + 50229N^4 + 129175N^2 + 30036)}{12441600}, & \langle \tau_7^2 \rangle &= \frac{33792N^{10} + 2492160N^8 + 47025792N^6 + 235320800N^4 + 203660116N^2 + 64875}{43794432000}, \\
 \langle \tau_{\frac{1}{2}} \tau_{\frac{15}{2}} \rangle &= \frac{N^2(N^4 + 15N^2 + 24)}{5760}, & \langle \tau_2 \tau_{\frac{15}{2}} \rangle &= \frac{N(18N^6 + 399N^4 + 1379N^2 + 388)}{120960}, & \langle \tau_{\frac{7}{2}} \tau_{\frac{15}{2}} \rangle &= \frac{N^2(9N^6 + 294N^4 + 1981N^2 + 2116)}{276480}, \\
 \langle \tau_5 \tau_{\frac{15}{2}} \rangle &= \frac{N(56N^8 + 2646N^6 + 30849N^4 + 78829N^2 + 18300)}{8709120}, & \langle \tau_{\frac{13}{2}} \tau_{\frac{15}{2}} \rangle &= \frac{N^2(9N^8 + 600N^6 + 11077N^4 + 55050N^2 + 47664)}{16588800}, \\
 \langle \tau_0 \tau_8 \rangle &= \frac{192N^6 + 3120N^4 + 5508N^2 + 25}{2073600}, & \langle \tau_{\frac{3}{2}} \tau_8 \rangle &= \frac{N(96N^6 + 2240N^4 + 7854N^2 + 2095)}{1209600}, \\
 \langle \tau_3 \tau_8 \rangle &= \frac{16128N^8 + 542976N^6 + 3647392N^4 + 3883664N^2 + 4735}{464486400}, & \langle \tau_{\frac{9}{2}} \tau_8 \rangle &= \frac{N(32N^8 + 1536N^6 + 17850N^4 + 45709N^2 + 10563)}{6220800}, \\
 \langle \tau_6 \tau_8 \rangle &= \frac{33792N^{10} + 2266880N^8 + 41799296N^6 + 207921120N^4 + 179741012N^2 + 57275}{43794432000}, \\
 \langle \tau_{\frac{15}{2}} \tau_8 \rangle &= \frac{N(2016N^{10} + 184800N^8 + 5070758N^6 + 43268445N^4 + 89417801N^2 + 17994380)}{38320128000}, \\
 \langle \tau_1 \tau_{\frac{17}{2}} \rangle &= \frac{N(3N^6 + 84N^4 + 357N^2 + 116)}{120960}, & \langle \tau_{\frac{5}{2}} \tau_{\frac{17}{2}} \rangle &= \frac{N^2(3N^6 + 118N^4 + 867N^2 + 932)}{276480}, \\
 \langle \tau_4 \tau_{\frac{17}{2}} \rangle &= \frac{N(28N^8 + 1533N^6 + 18648N^4 + 47987N^2 + 11244)}{8709120}, & \langle \tau_{\frac{11}{2}} \tau_{\frac{17}{2}} \rangle &= \frac{N^2(N^8 + 75N^6 + 1423N^4 + 7125N^2 + 6176)}{2764800}, \\
 \langle \tau_7 \tau_{\frac{17}{2}} \rangle &= \frac{N(336N^{10} + 33880N^8 + 950565N^6 + 8161956N^4 + 16881139N^2 + 3401964)}{7664025600}, \\
 \langle \tau_{\frac{2}{2}}^2 \rangle &= \frac{N^2(N^{10} + 133N^8 + 5283N^6 + 71479N^4 + 286416N^2 + 212688)}{398131200}, & \langle \tau_{\frac{1}{2}} \tau_9 \rangle &= \frac{N(192N^6 + 5040N^4 + 19908N^2 + 5905)}{14515200}, \\
 \langle \tau_2 \tau_9 \rangle &= \frac{2304N^8 + 83712N^6 + 579936N^4 + 609648N^2 + 745}{199065600}, & \langle \tau_{\frac{7}{2}} \tau_9 \rangle &= \frac{N(64N^8 + 3216N^6 + 37596N^4 + 96099N^2 + 22375)}{24883200}, \\
 \langle \tau_5 \tau_9 \rangle &= \frac{33792N^{10} + 2323200N^8 + 42869376N^6 + 213461600N^4 + 184426132N^2 + 58775}{65691648000},
 \end{aligned}$$

$$\begin{aligned}
\left\langle \tau_{\frac{13}{2}} \tau_9 \right\rangle &= \frac{N(4032N^{10} + 373296N^8 + 10244388N^6 + 87465081N^4 + 180671095N^2 + 36402228)}{91968307200}, \\
\langle \tau_8 \tau_9 \rangle &= \frac{5271552N^{12} + 645765120N^{10} + 25139702016N^8 + 338269451520N^6 + 1354146482832N^4 + 1004877745560N^2 + 83330375}{1229747650560000}, \\
\left\langle \tau_0 \tau_{\frac{19}{2}} \right\rangle &= \frac{N(3N^6 + 84N^4 + 357N^2 + 116)}{725760}, \quad \left\langle \tau_{\frac{3}{2}} \tau_{\frac{19}{2}} \right\rangle = \frac{N^2(3N^6 + 114N^4 + 807N^2 + 836)}{829440}, \\
\left\langle \tau_3 \tau_{\frac{19}{2}} \right\rangle &= \frac{N(140N^8 + 7245N^6 + 85008N^4 + 216155N^2 + 50892)}{87091200}, \quad \left\langle \tau_{\frac{9}{2}} \tau_{\frac{19}{2}} \right\rangle = \frac{N^2(3N^8 + 210N^6 + 3873N^4 + 19280N^2 + 16674)}{12441600}, \\
\left\langle \tau_6 \tau_{\frac{19}{2}} \right\rangle &= \frac{N(1680N^{10} + 157080N^8 + 4307457N^6 + 36793636N^4 + 75965703N^2 + 15322684)}{45984153600}, \\
\left\langle \tau_{\frac{15}{2}} \tau_{\frac{19}{2}} \right\rangle &= \frac{N^2(3N^{10} + 369N^8 + 14361N^6 + 193279N^4 + 773556N^2 + 574272)}{1194393600}, \\
\left\langle \tau_9 \tau_{\frac{19}{2}} \right\rangle &= \frac{N(4032N^{12} + 642096N^{10} + 34171956N^8 + 681767073N^6 + 4665074232N^4 + 8210487831N^2 + 1480910780)}{19564167168000}, \\
\langle \tau_1 \tau_{10} \rangle &= \frac{2304N^8 + 102144N^6 + 848736N^4 + 1030896N^2 + 1225}{1393459200}, \quad \left\langle \tau_{\frac{5}{2}} \tau_{10} \right\rangle = \frac{N(64N^8 + 3792N^6 + 48636N^4 + 127623N^2 + 29395)}{87091200}, \\
\langle \tau_4 \tau_{10} \rangle &= \frac{3072N^{10} + 241920N^8 + 4695936N^6 + 23618080N^4 + 20498492N^2 + 6525}{13934592000}, \\
\left\langle \tau_{\frac{11}{2}} \tau_{10} \right\rangle &= \frac{N(576N^{10} + 59664N^8 + 1690524N^6 + 14541483N^4 + 30110245N^2 + 6059148)}{22992076800}, \\
\langle \tau_7 \tau_{10} \rangle &= \frac{5271552N^{12} + 709023744N^{10} + 28265732352N^8 + 382716542208N^6 + 1534117927056N^4 + 1138856194008N^2 + 94429175}{1721646710784000}, \\
\left\langle \tau_{\frac{17}{2}} \tau_{10} \right\rangle &= \frac{N(4032N^{12} + 694512N^{10} + 37710036N^8 + 756387021N^6 + 5181535632N^4 + 9122835267N^2 + 1645088300)}{22824861696000}, \\
\langle \tau_{10}^2 \rangle &= (63258624N^{14} + 13764022272N^{12} + 990207009792N^{10} + 28096602183936N^8 + 302427964622784N^6 + \\
&+ 1026117017098992N^4 + 675475244186700N^2 + 14517321875)/5061641329704960000, \\
\left\langle \tau_{\frac{1}{2}} \tau_{\frac{21}{2}} \right\rangle &= \frac{N^2(3N^6 + 126N^4 + 987N^2 + 1124)}{5806080}, \quad \left\langle \tau_2 \tau_{\frac{21}{2}} \right\rangle = \frac{N(10N^8 + 555N^6 + 6762N^4 + 17245N^2 + 3988)}{21772800}, \\
\left\langle \tau_{\frac{7}{2}} \tau_{\frac{21}{2}} \right\rangle &= \frac{N^2(9N^8 + 660N^6 + 12327N^4 + 61290N^2 + 53114)}{87091200}, \\
\left\langle \tau_5 \tau_{\frac{21}{2}} \right\rangle &= \frac{N(120N^{10} + 11550N^8 + 318021N^6 + 2717198N^4 + 5613179N^2 + 1130252)}{5748019200}, \\
\left\langle \tau_{\frac{13}{2}} \tau_{\frac{21}{2}} \right\rangle &= \frac{N^2(15N^{10} + 1875N^8 + 73077N^6 + 984017N^4 + 3937928N^2 + 2923728)}{8360755200}, \\
\left\langle \tau_8 \tau_{\frac{21}{2}} \right\rangle &= \frac{N(3168N^{12} + 507936N^{10} + 27046734N^8 + 539749353N^6 + 3693035918N^4 + 6500373711N^2 + 1172113180)}{17933819904000}, \\
\left\langle \tau_{\frac{19}{2}} \tau_{\frac{21}{2}} \right\rangle &= \frac{N^2(45N^{12} + 9135N^{10} + 645309N^8 + 18221505N^6 + 195919962N^4 + 664533660N^2 + 437476784)}{5267275776000}, \\
\langle \tau_0 \tau_{11} \rangle &= \frac{2304N^8 + 102144N^6 + 848736N^4 + 1030896N^2 + 1225}{9754214400}, \quad \left\langle \tau_{\frac{3}{2}} \tau_{11} \right\rangle = \frac{N(128N^8 + 7392N^6 + 92232N^4 + 235338N^2 + 52885)}{609638400}, \\
\langle \tau_3 \tau_{11} \rangle &= \frac{27648N^{10} + 2085120N^8 + 39252864N^6 + 194549280N^4 + 168719388N^2 + 53725}{292626432000}, \\
\left\langle \tau_{\frac{9}{2}} \tau_{11} \right\rangle &= \frac{N(1152N^{10} + 112992N^8 + 3117576N^6 + 26611266N^4 + 55024937N^2 + 11050207)}{80472268800}, \\
\langle \tau_6 \tau_{11} \rangle &= \frac{5271552N^{12} + 666851328N^{10} + 25998964992N^8 + 350090906880N^6 + 140114473616N^4 + 1039931262552N^2 + 86233175}{2410305395097600}, \\
\left\langle \tau_{\frac{15}{2}} \tau_{11} \right\rangle &= \frac{N(3456N^{12} + 557856N^{10} + 29705208N^8 + 592895238N^6 + 4056257361N^4 + 7140410381N^2 + 1287173500)}{22824861696000}, \\
\langle \tau_9 \tau_{11} \rangle &= (63258624N^{14} + 12878401536N^{12} + 909763126272N^{10} + 25690921521408N^8 + \\
&+ 276218849210304N^6 + 936943113580656N^4 + 616743637298700N^2 + 13255326875)/5061641329704960000, \\
\left\langle \tau_{\frac{21}{2}} \tau_{11} \right\rangle &= N(12672N^{14} + 3215520N^{12} + 294114744N^{10} + 11330809710N^8 + 180142229421N^6 + \\
&+ 1040222771070N^4 + 1612629270163N^2 + 266022526700)/24334814085120000,
\end{aligned}$$

$$\begin{aligned}
\left\langle \tau_1 \tau_{\frac{23}{2}} \right\rangle &= \frac{N(N^8 + 66N^6 + 945N^4 + 2764N^2 + 704)}{17418240}, & \left\langle \tau_{\frac{5}{2}} \tau_{\frac{23}{2}} \right\rangle &= \frac{N^2(3N^8 + 255N^6 + 5229N^4 + 27045N^2 + 23468)}{116121600}, \\
\left\langle \tau_4 \tau_{\frac{23}{2}} \right\rangle &= \frac{N(180N^{10} + 19635N^8 + 571626N^6 + 4958283N^4 + 10275364N^2 + 2077632)}{22992076800}, \\
\left\langle \tau_{\frac{11}{2}} \tau_{\frac{23}{2}} \right\rangle &= \frac{N^2(15N^{10} + 2085N^8 + 84249N^6 + 1144499N^4 + 4592176N^2 + 3410256)}{16721510400}, \\
\left\langle \tau_7 \tau_{\frac{23}{2}} \right\rangle &= \frac{N(1584N^{12} + 277992N^{10} + 15193035N^8 + 305210334N^6 + 2091903099N^4 + 3682991364N^2 + 664397632)}{14347055923200}, \\
\left\langle \tau_{\frac{17}{2}} \tau_{\frac{23}{2}} \right\rangle &= \frac{N^2(9N^{12} + 1974N^{10} + 142380N^8 + 4042482N^6 + 43521443N^4 + 147664944N^2 + 97215568)}{1404606873600}, \\
\left\langle \tau_{10} \tau_{\frac{23}{2}} \right\rangle &= \frac{N(6336N^{14} + 1718640N^{12} + 160058052N^{10} + 6195828045N^8 + 98615480238N^6 + 569612518965N^4 + 883084804124N^2 + 145687073600)}{13905608048640000}, \\
\left\langle \tau_{\frac{23}{2}} \right\rangle &= \frac{N^2(45N^{14} + 14940N^{12} + 1762614N^{10} + 90352452N^8 + 2030462997N^6 + 18369087576N^4 + 54598048144N^2 + 32592984832)}{2696845197312000}, \\
\left\langle \tau_{\frac{1}{2}} \tau_{12} \right\rangle &= \frac{N(256N^8 + 16128N^6 + 219744N^4 + 610032N^2 + 147105)}{9754214400}, \\
\langle \tau_2 \tau_{12} \rangle &= \frac{27648N^{10} + 2223360N^8 + 43575168N^6 + 218808480N^4 + 188161884N^2 + 60025}{1170505728000}, \\
\left\langle \tau_{\frac{7}{2}} \tau_{12} \right\rangle &= \frac{N(6912N^{10} + 709632N^8 + 19921440N^6 + 170296368N^4 + 352010043N^2 + 70932715)}{1287556300800}, \\
\langle \tau_5 \tau_{12} \rangle &= \frac{2027520N^{12} + 264591360N^{10} + 10391724288N^8 + 139996716288N^6 + 560550803472N^4 + 415904716632N^2 + 34490575}{1854081073152000}, \\
\left\langle \tau_{\frac{13}{2}} \tau_{12} \right\rangle &= \frac{N(6912N^{12} + 1138176N^{10} + 60801312N^8 + 1214137392N^6 + 8307591435N^4 + 14622494497N^2 + 2636977516)}{73039557427200}, \\
\langle \tau_8 \tau_{12} \rangle &= \frac{63258624N^{14} + 13026004992N^{12} + 921546802176N^{10} + 26032958704896N^8 + 279897991429056N^6 + 949445980504112N^4 + 624960731561644N^2 + 13432006175}{6748855106273280000}, \\
\left\langle \tau_{\frac{19}{2}} \tau_{12} \right\rangle &= \frac{N(2304N^{14} + 587520N^{12} + 53771616N^{10} + 2071903920N^8 + 32939951481N^6 + 190213875660N^4 + 294876634399N^2 + 48646940700)}{5056584744960000}, \\
\langle \tau_{11} \tau_{12} \rangle &= (1173159936N^{16} + 366808006656N^{14} + 42566381125632N^{12} + 2172367773868032N^{10} + 48766888479149568N^8 + 441064598681860608N^6 + \\
&+ 1310910543316649664N^4 + 782533138799601504N^2 + 4343472274925) / 42053956764035973120000, \\
\left\langle \tau_0 \tau_{\frac{25}{2}} \right\rangle &= \frac{N(N^8 + 66N^6 + 945N^4 + 2764N^2 + 704)}{139345920}, \\
\left\langle \tau_{\frac{3}{2}} \tau_{\frac{25}{2}} \right\rangle &= \frac{N^2(9N^8 + 750N^6 + 15057N^4 + 76200N^2 + 64784)}{1393459200}, \\
\left\langle \tau_3 \tau_{\frac{25}{2}} \right\rangle &= \frac{N(540N^{10} + 56925N^8 + 1614822N^6 + 13797861N^4 + 28469628N^2 + 5769664)}{183936614400}, \\
\left\langle \tau_{\frac{9}{2}} \tau_{\frac{25}{2}} \right\rangle &= \frac{N^2(15N^{10} + 1995N^8 + 78681N^6 + 1059281N^4 + 4242364N^2 + 3147584)}{33443020800}, \\
\left\langle \tau_6 \tau_{\frac{25}{2}} \right\rangle &= \frac{N(1584N^{12} + 264264N^{10} + 14139411N^8 + 282305166N^6 + 1931924995N^4 + 3399687460N^2 + 613477440)}{22955289477120}, \\
\left\langle \tau_{\frac{15}{2}} \tau_{\frac{25}{2}} \right\rangle &= \frac{N^2(27N^{12} + 5607N^{10} + 396921N^8 + 11213421N^6 + 120563352N^4 + 408951872N^2 + 269211200)}{5618427494400}, \\
\left\langle \tau_9 \tau_{\frac{25}{2}} \right\rangle &= \frac{N(82368N^{14} + 21106800N^{12} + 1932286356N^{10} + 74460339525N^8 + 1183769835534N^6 + 6835871986125N^4 + 10596984950492N^2 + 1748342052800)}{206597605294080000}, \\
\left\langle \tau_{\frac{21}{2}} \tau_{\frac{25}{2}} \right\rangle &= \frac{N^2(135N^{14} + 42300N^{12} + 4909338N^{10} + 250558164N^8 + 5624644839N^6 + 50871706872N^4 + 151196562288N^2 + 90257579264)}{8090535591936000}, \\
\left\langle \tau_{12} \tau_{\frac{25}{2}} \right\rangle &= N(14826240N^{16} + 5629029120N^{14} + 814141744416N^{12} + 53714183876496N^{10} + 1642015141238043N^8 + 21901314579189318N^6 + \\
&+ 110374356210766251N^4 + 154180715255760516N^2 + 23616315157736000) / 16521197300156989440000, \\
\langle \tau_1 \tau_{13} \rangle &= \frac{1024N^{10} + 9600N^8 + 2174592N^6 + 12408800N^4 + 11798484N^2 + 3675}{390168576000}, \\
\left\langle \tau_{\frac{5}{2}} \tau_{13} \right\rangle &= \frac{N(768N^{10} + 90112N^8 + 2772000N^6 + 24853488N^4 + 52008627N^2 + 10410435)}{643778150400},
\end{aligned}$$

$$\begin{aligned}
\langle \tau_4 \tau_{13} \rangle &= \frac{61440N^{12} + 9000960N^{10} + 374817024N^8 + 5152775424N^6 + 20719746576N^4 + 15408973656N^2 + 1276975}{168552824832000}, \\
\left\langle \tau_{\frac{11}{2}} \tau_{13} \right\rangle &= \frac{N(768N^{12} + 139776N^{10} + 7766304N^8 + 156799344N^6 + 1075957155N^4 + 1895456745N^2 + 341634188)}{18259889356800}, \\
\langle \tau_7 \tau_{13} \rangle &= \frac{35143680N^{14} + 7892684800N^{12} + 574444975104N^{10} + 16349468678400N^8 + 176138010240192N^6 + 597719310879600N^4 + 393499090432124N^2 + 8456864675}{6748855106273280000}, \\
\left\langle \tau_{\frac{17}{2}} \tau_{13} \right\rangle &= \frac{N(768N^{14} + 211200N^{12} + 19761696N^{10} + 765909200N^8 + 12194830179N^6 + 70442619300N^4 + 109213900357N^2 + 18016077300)}{2528292372480000}, \\
\langle \tau_{10} \tau_{13} \rangle &= (43450368N^{16} + 14512422912N^{14} + 1715496566784N^{12} + 87981873487872N^{10} + 1977472577653248N^8 + 17890144965987840N^6 + \\
&+ 53175435349569600N^4 + 31742964860729376N^2 + 176189063575)/2002569369715998720000, \\
\left\langle \tau_{\frac{23}{2}} \tau_{13} \right\rangle &= N(126720N^{16} + 50983680N^{14} + 7494977952N^{12} + 496652285712N^{10} + 15198771356351N^8 + 202775563645326N^6 + \\
&+ 1021968028202127N^4 + 1427600669098932N^2 + 218666563080000)/158857666347663360000, \\
\langle \tau_{13}^2 \rangle &= (254017536N^{18} + 122118930432N^{16} + 22016271384576N^{14} + 1847393572208640N^{12} + 74762402614622208N^{10} + 1405295219664935424N^8 + \\
&+ 11057833818706543872N^6 + 29472649803214144704N^4 + 16208773786311341508N^2 + 23165125941475)/6638055329215524372480000, \\
\left\langle \tau_{\frac{1}{2}} \tau_{\frac{27}{2}} \right\rangle &= \frac{N^2(N^8 + 90N^6 + 1953N^4 + 10660N^2 + 9696)}{1393459200}, \\
\left\langle \tau_2 \tau_{\frac{27}{2}} \right\rangle &= \frac{N(30N^{10} + 3355N^8 + 99132N^6 + 863511N^4 + 1781428N^2 + 357184)}{45984153600}, \\
\left\langle \tau_{\frac{7}{2}} \tau_{\frac{27}{2}} \right\rangle &= \frac{N^2(N^{10} + 139N^8 + 5595N^6 + 75669N^4 + 302884N^2 + 224992)}{6688604160}, \\
\left\langle \tau_5 \tau_{\frac{27}{2}} \right\rangle &= \frac{N(616N^{12} + 106106N^{10} + 5734729N^8 + 114655684N^6 + 784829045N^4 + 1381309020N^2 + 249076160)}{20085878292480}, \\
\left\langle \tau_{\frac{13}{2}} \tau_{\frac{27}{2}} \right\rangle &= \frac{N^2(15N^{12} + 3185N^{10} + 226611N^8 + 6406515N^6 + 68895218N^4 + 233681000N^2 + 153840256)}{5618427494400}, \\
\left\langle \tau_8 \tau_{\frac{27}{2}} \right\rangle &= \frac{N(96096N^{14} + 24984960N^{12} + 2293313022N^{10} + 88413966355N^8 + 1405726647468N^6 + 8117529664335N^4 + 12584149134164N^2 + 207599073600)}{361545809264640000}, \\
\left\langle \tau_{\frac{19}{2}} \tau_{\frac{27}{2}} \right\rangle &= \frac{N^2(105N^{14} + 33180N^{12} + 3856062N^{10} + 196858996N^8 + 4419325041N^6 + 39970711368N^4 + 118797106192N^2 + 70916825856)}{8090535591936000}, \\
\left\langle \tau_{11} \tau_{\frac{27}{2}} \right\rangle &= N(164736N^{16} + 62778144N^{14} + 9085035960N^{12} + 599477467446N^{10} + 18325965281767N^8 + 244434687067116N^6 + \\
&+ 1231854365268987N^4 + 1720772690281444N^2 + 263571162702400)/206514966251962368000, \\
\left\langle \tau_{\frac{25}{2}} \tau_{\frac{27}{2}} \right\rangle &= \frac{N^2(N^{16} + 456N^{14} + 80982N^{12} + 6767732N^{10} + 273606337N^8 + 5141648028N^6 + 40455842896N^4 + 107826049984N^2 + 59300291584)}{38834570841292800}, \\
\langle \tau_0 \tau_{14} \rangle &= \frac{1024N^{10} + 96000N^8 + 2174592N^6 + 12408800N^4 + 11798484N^2 + 3675}{3511517184000}, \\
\left\langle \tau_{\frac{3}{2}} \tau_{14} \right\rangle &= \frac{N(512N^{10} + 59136N^8 + 1788864N^6 + 15763264N^4 + 32435634N^2 + 6400905)}{1931334451200}, \\
\langle \tau_3 \tau_{14} \rangle &= \frac{20480N^{12} + 2918400N^{10} + 118881024N^8 + 1610946304N^6 + 6436841136N^4 + 4786592136N^2 + 396725}{168552824832000}, \\
\left\langle \tau_{\frac{9}{2}} \tau_{14} \right\rangle &= \frac{N(512N^{12} + 89856N^{10} + 4884672N^8 + 97669312N^6 + 668411250N^4 + 1176810297N^2 + 211927191)}{27389834035200}, \\
\langle \tau_6 \tau_{14} \rangle &= \frac{11714560N^{14} + 2521559040N^{12} + 179902987264N^{10} + 5085877871360N^8 + 54696761351232N^6 + 185514007624400N^4 + 122126285007444N^2 + 2624725425}{4049313063763968000}, \\
\left\langle \tau_{\frac{15}{2}} \tau_{14} \right\rangle &= \frac{N(512N^{14} + 134400N^{12} + 12352704N^{10} + 476259200N^8 + 7572499506N^6 + 43726558575N^4 + 67790074403N^2 + 11181581700)}{2528292372480000}, \\
\langle \tau_9 \tau_{14} \rangle &= (43450368N^{16} + 13817217024N^{14} + 1606870646784N^{12} + 82040658452480N^{10} + 1841751822862848N^8 + 16657689781943808N^6 + \\
&+ 49508764782222400N^4 + 29553916727539488N^2 + 164039493975)/257473204677712640000, \\
\left\langle \tau_{\frac{21}{2}} \tau_{14} \right\rangle &= N(84480N^{16} + 32313600N^{14} + 4677968064N^{12} + 308697182464N^{10} + 9436800711162N^8 + 125870066508627N^6 + \\
&+ 634332994157594N^4 + 886101824741109N^2 + 135722199616500)/119143249760747520000, \\
\langle \tau_{12} \tau_{14} \rangle &= (254017536N^{18} + 116022509568N^{16} + 20607998164992N^{14} + 1722284855377920N^{12} + 69628530780813312N^{10} + 1308471980620847616N^8 + \\
&+ 10295380334781670656N^6 + 27440124961174140096N^4 + 15090933159115966404N^2 + 21567564476675)/6638055329215524372480000,
\end{aligned}$$

$$\begin{aligned}
\left\langle \tau_{\frac{27}{2}} \tau_{14} \right\rangle &= N(33280N^{18} + 18021120N^{16} + 3877528512N^{14} + 403365543360N^{12} + 21051926006514N^{10} + 537728602825245N^8 + 6223438271413316N^6 + \\
&+ 28020133661124225N^4 + 35854543560011628N^2 + 5154450344836800) / 30215237843067863040000, \\
\left\langle \tau_1 \tau_{\frac{29}{2}} \right\rangle &= \frac{N(3N^{10} + 385N^8 + 12969N^6 + 127215N^4 + 289828N^2 + 62400)}{45984153600}, \\
\left\langle \tau_{\frac{5}{2}} \tau_{\frac{29}{2}} \right\rangle &= \frac{N^2(N^{10} + 157N^8 + 6903N^6 + 98391N^4 + 402196N^2 + 298752)}{33443020800}, \\
\left\langle \tau_4 \tau_{\frac{29}{2}} \right\rangle &= \frac{N(84N^{12} + 16107N^{10} + 924105N^8 + 18938049N^6 + 130494819N^4 + 230059284N^2 + 41574592)}{9129944678400}, \\
\left\langle \tau_{\frac{11}{2}} \tau_{\frac{29}{2}} \right\rangle &= \frac{N^2(15N^{12} + 3500N^{10} + 259602N^8 + 7438800N^6 + 80277071N^4 + 272582100N^2 + 179458112)}{14046068736000}, \\
\left\langle \tau_7 \tau_{\frac{29}{2}} \right\rangle &= \frac{N(48048N^{14} + 13573560N^{12} + 1284350067N^{10} + 49948151825N^8 + 795995983497N^6 + 4599269671815N^4 + 7130639025988N^2 + 1176545380800)}{361545809264640000}, \\
\left\langle \tau_{\frac{17}{2}} \tau_{\frac{29}{2}} \right\rangle &= \frac{N^2(21N^{14} + 7140N^{12} + 849534N^{10} + 43649996N^8 + 981569349N^6 + 8881326888N^4 + 26398908496N^2 + 15759173376)}{2696845197312000}, \\
\left\langle \tau_{10} \tau_{\frac{29}{2}} \right\rangle &= N(82368N^{16} + 33489456N^{14} + 4940715780N^{12} + 327714142041N^{10} + 10031537206691N^8 + 133844571059355N^6 + \\
&+ 674575966648761N^4 + 942321411495548N^2 + 144339108148800) / 147510690179973120000, \\
\left\langle \tau_{\frac{23}{2}} \tau_{\frac{29}{2}} \right\rangle &= \frac{N^2(N^{16} + 483N^{14} + 87210N^{12} + 7320854N^{10} + 296301925N^8 + 5569675623N^6 + 43826415616N^4 + 116811229840N^2 + 64241941248)}{48543213551616000}, \\
\left\langle \tau_{13} \tau_{\frac{29}{2}} \right\rangle &= N(49920N^{18} + 28454400N^{16} + 6213800736N^{14} + 648997143600N^{12} + 33906036299187N^{10} + 866276728791825N^8 + \\
&+ 10026485732300313N^6 + 45143425777985775N^4 + 57765581384855844N^2 + 8304420770878400) / 50358729738446438400000, \\
\left\langle \tau_{\frac{29}{2}} \right\rangle &= N^2(21N^{18} + 14035N^{16} + 3667482N^{14} + 469606950N^{12} + 31035542153N^{10} + 1046985819495N^8 + \\
&+ 17036454985464N^6 + 119397398644720N^4 + 290229854906880N^2 + 148788466380800) / 815525987667148800000, \\
\left\langle \tau_{\frac{1}{2}} \tau_{15} \right\rangle &= \frac{N(1024N^{10} + 126720N^8 + 4109952N^6 + 38778080N^4 + 85002324N^2 + 17656275)}{38626689024000}, \\
\langle \tau_2 \tau_{15} \rangle &= \frac{4096N^{12} + 616448N^{10} + 26140416N^8 + 362461952N^6 + 1457264368N^4 + 1077400680N^2 + 89425}{168552824832000}, \\
\left\langle \tau_{\frac{7}{2}} \tau_{15} \right\rangle &= \frac{N(3072N^{12} + 562432N^{10} + 31264896N^8 + 629774496N^6 + 4311709532N^4 + 7591288497N^2 + 1369549125)}{547796680704000}, \\
\langle \tau_5 \tau_{15} \rangle &= \frac{180224N^{14} + 40054784N^{12} + 2893011968N^{10} + 81999884032N^8 + 882109974592N^6 + 2992460957584N^4 + 1969582220916N^2 + 42332325}{155742810144768000}, \\
\left\langle \tau_{\frac{13}{2}} \tau_{15} \right\rangle &= \frac{N(1024N^{14} + 275200N^{12} + 25465728N^{10} + 982991200N^8 + 15633209972N^6 + 90275207175N^4 + 139950278401N^2 + 23087592300)}{10113169489920000}, \\
\langle \tau_8 \tau_{15} \rangle &= (43450368N^{16} + 14048952320N^{14} + 1640066727936N^{12} + 83792070369280N^{10} + 1881342382426624N^8 + \\
&+ 17015818276154880N^6 + 50573774162987072N^4 + 30189300829055520N^2 + 167566788375) / 4291220077962854400000, \\
\left\langle \tau_{\frac{19}{2}} \tau_{15} \right\rangle &= N(3072N^{16} + 1188096N^{14} + 172371840N^{12} + 11379553568N^{10} + 347896904124N^8 + \\
&+ 4640360127021N^6 + 23385601624864N^4 + 32667219631515N^2 + 5003674500300) / 6189259727831040000 \\
\langle \tau_{11} \tau_{15} \rangle &= (254017536N^{18} + 116784562176N^{16} + 20768029212672N^{14} + 1736091534016512N^{12} + 70189456526850048N^{10} + 1319023875339330048N^8 + \\
&+ 10378403715885452544N^6 + 27661427644508451264N^4 + 15212627545531493700N^2 + 21741492539375) / 8297569161519405465600000, \\
\left\langle \tau_{\frac{25}{2}} \tau_{15} \right\rangle &= N(119808N^{18} + 65065728N^{16} + 14007247488N^{14} + 1457288847456N^{12} + 76058239110308N^{10} + 1942761293747079N^8 + \\
&+ 22484671721467938N^6 + 101234075319003487N^4 + 129538894825590708N^2 + 18622596605256000) / 120860951372271452160000, \\
\langle \tau_{14} \tau_{15} \rangle &= 338690048N^{20} + 215914905600N^{18} + 55648066142208N^{16} + 7098817455718400N^{14} + 468699174801727488N^{12} + \\
&+ 15807842961676185600N^{10} + 257209471731512350208N^8 + 1802589500524372723200N^6 + \\
&+ 4381705578810089640048N^4 + 2246308095834329272200N^2 + 824566063741875) / 7965666395058629246976000000.
\end{aligned}$$



Nonzero three-point correlators  $\langle \tau_{\frac{d_1}{2}} \tau_{\frac{d_2}{2}} \tau_{\frac{d_3}{2}} \rangle$ , for  $0 \leq d_1 \leq d_2 \leq d_3 \leq 10$

$$\begin{aligned}
\langle \tau_0^3 \rangle &= 1, \quad \langle \tau_{\frac{1}{2}}^3 \rangle = N, \quad \langle \tau_0 \tau_{\frac{1}{2}} \tau_1 \rangle = N, \quad \langle \tau_1^3 \rangle = N^2 + \frac{1}{12}, \quad \langle \tau_0^2 \tau_{\frac{3}{2}} \rangle = N, \quad \langle \tau_{\frac{1}{2}} \tau_1 \tau_{\frac{3}{2}} \rangle = N^2, \quad \langle \tau_0 \tau_{\frac{3}{2}}^2 \rangle = N^2, \quad \langle \tau_{\frac{3}{2}}^3 \rangle = N^3 + \frac{N}{4}, \\
\langle \tau_{\frac{1}{2}}^2 \tau_2 \rangle &= N^2, \quad \langle \tau_0 \tau_1 \tau_2 \rangle = N^2 + \frac{1}{12}, \quad \langle \tau_1 \tau_{\frac{3}{2}} \tau_2 \rangle = N^3 + \frac{N}{2}, \quad \langle \tau_{\frac{1}{2}} \tau_2^2 \rangle = N^3 + \frac{5N}{12}, \quad \langle \tau_2^3 \rangle = N^4 + \frac{3N^2}{2} + \frac{7}{240}, \quad \langle \tau_0 \tau_{\frac{1}{2}} \tau_{\frac{5}{2}} \rangle = \frac{N^2}{2}, \\
\langle \tau_{\frac{1}{2}}^2 \tau_{\frac{5}{2}} \rangle &= \frac{N^3 + N}{2}, \quad \langle \tau_{\frac{1}{2}} \tau_{\frac{3}{2}} \tau_{\frac{5}{2}} \rangle = \frac{2N^3 + N}{4}, \quad \langle \tau_0 \tau_2 \tau_{\frac{5}{2}} \rangle = \frac{N(3N^2 + 2)}{6}, \quad \langle \tau_{\frac{3}{2}} \tau_2 \tau_{\frac{5}{2}} \rangle = \frac{N^2(6N^2 + 11)}{12}, \quad \langle \tau_1 \tau_{\frac{5}{2}}^2 \rangle = \frac{1}{4}N^2(N^2 + 3), \\
\langle \tau_{\frac{3}{2}}^3 \rangle &= \frac{N(3N^4 + 19N^2 + 6)}{24}, \quad \langle \tau_0^2 \tau_3 \rangle = \frac{N^2}{2} + \frac{1}{24}, \quad \langle \tau_{\frac{1}{2}} \tau_1 \tau_3 \rangle = \frac{N(4N^2 + 3)}{8}, \quad \langle \tau_0 \tau_{\frac{3}{2}} \tau_3 \rangle = \frac{N(12N^2 + 7)}{24}, \quad \langle \tau_{\frac{3}{2}}^2 \tau_3 \rangle = \frac{N^2(12N^2 + 19)}{24}, \\
\langle \tau_1 \tau_2 \tau_3 \rangle &= \frac{N^4}{2} + \frac{13N^2}{12} + \frac{29}{1440}, \quad \langle \tau_{\frac{1}{2}} \tau_{\frac{5}{2}} \tau_3 \rangle = \frac{1}{16}N^2(4N^2 + 9), \quad \langle \tau_2 \tau_{\frac{5}{2}} \tau_3 \rangle = \frac{N(36N^4 + 171N^2 + 56)}{144}, \quad \langle \tau_0 \tau_3^2 \rangle = \frac{N^4}{4} + \frac{13N^2}{24} + \frac{29}{2880}, \\
\langle \tau_{\frac{3}{2}}^2 \tau_3^2 \rangle &= \frac{N(144N^4 + 600N^2 + 193)}{576}, \quad \langle \tau_3^3 \rangle = \frac{N^6}{8} + \frac{33N^4}{32} + \frac{481N^2}{384} + \frac{583}{96768}, \quad \langle \tau_{\frac{1}{2}}^2 \tau_7^2 \rangle = \frac{N(3N^2 + 2)}{12}, \quad \langle \tau_0 \tau_1 \tau_{\frac{7}{2}} \rangle = \frac{N^3 + N}{4}, \\
\langle \tau_1 \tau_{\frac{3}{2}} \tau_{\frac{7}{2}} \rangle &= \frac{N^2(3N^2 + 7)}{12}, \quad \langle \tau_{\frac{1}{2}} \tau_2 \tau_{\frac{7}{2}} \rangle = \frac{N^2(N^2 + 2)}{4}, \quad \langle \tau_2^2 \tau_{\frac{7}{2}} \rangle = \frac{N(36N^4 + 153N^2 + 49)}{144}, \quad \langle \tau_0 \tau_{\frac{5}{2}} \tau_{\frac{7}{2}} \rangle = \frac{N^2(3N^2 + 8)}{24}, \\
\langle \tau_{\frac{3}{2}} \tau_{\frac{5}{2}} \tau_{\frac{7}{2}} \rangle &= \frac{N(2N^4 + 10N^2 + 3)}{16}, \quad \langle \tau_1 \tau_3 \tau_{\frac{7}{2}} \rangle = \frac{N(36N^4 + 195N^2 + 79)}{288}, \quad \langle \tau_{\frac{5}{2}} \tau_3 \tau_{\frac{7}{2}} \rangle = \frac{N^2(12N^4 + 115N^2 + 144)}{192}, \\
\langle \tau_{\frac{1}{2}} \tau_{\frac{7}{2}}^2 \rangle &= \frac{N(9N^4 + 45N^2 + 16)}{144}, \quad \langle \tau_2 \tau_{\frac{7}{2}}^2 \rangle = \frac{N^2(9N^4 + 78N^2 + 95)}{144}, \quad \langle \tau_{\frac{3}{2}}^3 \rangle = \frac{N(27N^6 + 405N^4 + 1188N^2 + 305)}{1728}, \\
\langle \tau_0 \tau_{\frac{1}{2}} \tau_4 \rangle &= \frac{N(4N^2 + 3)}{24}, \quad \langle \tau_1^2 \tau_4 \rangle = \frac{16N^4 + 56N^2 + 1}{96}, \quad \langle \tau_{\frac{1}{2}} \tau_{\frac{3}{2}} \tau_4 \rangle = \frac{N^2(4N^2 + 9)}{24}, \quad \langle \tau_0 \tau_2 \tau_4 \rangle = \frac{N^4}{6} + \frac{5N^2}{12} + \frac{11}{1440}, \\
\langle \tau_{\frac{3}{2}} \tau_2 \tau_4 \rangle &= \frac{N(24N^4 + 118N^2 + 35)}{144}, \quad \langle \tau_1 \tau_{\frac{5}{2}} \tau_4 \rangle = \frac{N(12N^4 + 85N^2 + 33)}{144}, \quad \langle \tau_{\frac{5}{2}}^2 \tau_4 \rangle = \frac{N^2(4N^4 + 49N^2 + 63)}{96}, \\
\langle \tau_{\frac{1}{2}} \tau_3 \tau_4 \rangle &= \frac{N(80N^4 + 440N^2 + 157)}{960}, \quad \langle \tau_2 \tau_3 \tau_4 \rangle = \frac{20160N^6 + 193200N^4 + 232932N^2 + 1121}{241920}, \quad \langle \tau_0 \tau_{\frac{7}{2}} \tau_4 \rangle = \frac{N(12N^4 + 73N^2 + 29)}{288}, \\
\langle \tau_{\frac{3}{2}} \tau_{\frac{7}{2}} \tau_4 \rangle &= \frac{N^2(12N^4 + 119N^2 + 143)}{288}, \quad \langle \tau_3 \tau_{\frac{7}{2}} \tau_4 \rangle = \frac{N(720N^6 + 11880N^4 + 34981N^2 + 9181)}{34560}, \quad \langle \tau_1^2 \tau_4 \rangle = \frac{6720N^6 + 89040N^4 + 130284N^2 + 607}{241920}, \\
\langle \tau_{\frac{5}{2}} \tau_4^2 \rangle &= \frac{N(240N^6 + 4920N^4 + 15447N^2 + 3967)}{17280}, \quad \langle \tau_4^3 \rangle = \frac{3840N^8 + 120320N^6 + 729312N^4 + 702592N^2 + 875}{829440}, \quad \langle \tau_0^2 \tau_{\frac{9}{2}} \rangle = \frac{N^3 + N}{12}, \\
\langle \tau_{\frac{1}{2}} \tau_1 \tau_{\frac{9}{2}} \rangle &= \frac{N^2(N^2 + 3)}{12}, \quad \langle \tau_0 \tau_{\frac{3}{2}} \tau_{\frac{9}{2}} \rangle = \frac{N^2(2N^2 + 5)}{24}, \quad \langle \tau_{\frac{3}{2}}^2 \tau_{\frac{9}{2}} \rangle = \frac{N(4N^4 + 19N^2 + 5)}{48}, \quad \langle \tau_1 \tau_2 \tau_{\frac{9}{2}} \rangle = \frac{N(6N^4 + 35N^2 + 13)}{72}, \\
\langle \tau_{\frac{1}{2}} \tau_{\frac{5}{2}} \tau_{\frac{9}{2}} \rangle &= \frac{N(N^4 + 6N^2 + 2)}{24}, \quad \langle \tau_2 \tau_{\frac{5}{2}} \tau_{\frac{9}{2}} \rangle = \frac{N^2(6N^4 + 61N^2 + 75)}{144}, \quad \langle \tau_0 \tau_3 \tau_{\frac{9}{2}} \rangle = \frac{N(60N^4 + 335N^2 + 131)}{1440}, \\
\langle \tau_{\frac{3}{2}} \tau_3 \tau_{\frac{9}{2}} \rangle &= \frac{N^2(120N^4 + 1090N^2 + 1291)}{2880}, \quad \langle \tau_3^2 \tau_{\frac{9}{2}} \rangle = \frac{N(720N^6 + 10920N^4 + 31613N^2 + 8261)}{34560}, \quad \langle \tau_1 \tau_{\frac{7}{2}} \tau_{\frac{9}{2}} \rangle = \frac{1}{48}N^2(N^4 + 11N^2 + 16), \\
\langle \tau_{\frac{5}{2}} \tau_{\frac{7}{2}} \tau_{\frac{9}{2}} \rangle &= \frac{1}{576}N(6N^6 + 103N^4 + 316N^2 + 79), \quad \langle \tau_{\frac{1}{2}} \tau_4 \tau_{\frac{9}{2}} \rangle = \frac{N^2(20N^4 + 225N^2 + 303)}{1440}, \quad \langle \tau_2 \tau_4 \tau_{\frac{9}{2}} \rangle = \frac{N(120N^6 + 2070N^4 + 6167N^2 + 1561)}{8640}, \\
\langle \tau_{\frac{7}{2}} \tau_4 \tau_{\frac{9}{2}} \rangle &= \frac{N^2(60N^6 + 1595N^4 + 9297N^2 + 8908)}{17280}, \quad \langle \tau_0 \tau_{\frac{9}{2}}^2 \rangle = \frac{1}{144}N^2(N^4 + 11N^2 + 16), \quad \langle \tau_{\frac{3}{2}} \tau_{\frac{9}{2}}^2 \rangle = \frac{1}{576}N(4N^6 + 65N^4 + 193N^2 + 46), \\
\langle \tau_3 \tau_{\frac{9}{2}}^2 \rangle &= \frac{N^2(60N^6 + 1475N^4 + 8413N^2 + 8024)}{17280}, \quad \langle \tau_{\frac{3}{2}}^3 \rangle = \frac{N(20N^8 + 735N^6 + 7224N^4 + 16535N^2 + 3514)}{34560}, \quad \langle \tau_{\frac{1}{2}}^2 \tau_5 \rangle = \frac{1}{72}N^2(4N^2 + 11), \\
\langle \tau_0 \tau_1 \tau_5 \rangle &= \frac{1}{288}(16N^4 + 56N^2 + 1), \quad \langle \tau_1 \tau_{\frac{3}{2}} \tau_5 \rangle = \frac{1}{144}N(8N^4 + 50N^2 + 17), \quad \langle \tau_{\frac{1}{2}} \tau_2 \tau_5 \rangle = \frac{N(80N^4 + 440N^2 + 141)}{1440}, \\
\langle \tau_2^2 \tau_5 \rangle &= \frac{960N^6 + 9040N^4 + 10532N^2 + 51}{17280}, \quad \langle \tau_0 \tau_{\frac{5}{2}} \tau_5 \rangle = \frac{1}{144}N(4N^4 + 27N^2 + 10), \quad \langle \tau_{\frac{3}{2}} \tau_{\frac{5}{2}} \tau_5 \rangle = \frac{1}{288}N^2(8N^4 + 86N^2 + 103), \\
\langle \tau_1 \tau_3 \tau_5 \rangle &= \frac{6720N^6 + 75600N^4 + 107436N^2 + 503}{241920}, \quad \langle \tau_{\frac{5}{2}} \tau_3 \tau_5 \rangle = \frac{N(240N^6 + 4200N^4 + 12743N^2 + 3248)}{17280}, \\
\langle \tau_{\frac{1}{2}} \tau_{\frac{7}{2}} \tau_5 \rangle &= \frac{1}{864}N^2(12N^4 + 125N^2 + 166), \quad \langle \tau_2 \tau_{\frac{7}{2}} \tau_5 \rangle = \frac{N(240N^6 + 3840N^4 + 11261N^2 + 2841)}{17280}, \\
\langle \tau_{\frac{7}{2}}^2 \tau_5 \rangle &= \frac{N^2(36N^6 + 891N^4 + 5098N^2 + 4865)}{10368}, \quad \langle \tau_0 \tau_4 \tau_5 \rangle = \frac{448N^6 + 5488N^4 + 7924N^2 + 37}{48384}, \quad \langle \tau_{\frac{3}{2}} \tau_4 \tau_5 \rangle = \frac{N(32N^6 + 576N^4 + 1722N^2 + 421)}{3456},
\end{aligned}$$

$$\begin{aligned}
\langle \tau_3 \tau_4 \tau_5 \rangle &= \frac{3840N^8 + 103680N^6 + 603040N^4 + 576080N^2 + 719}{829440}, & \langle \tau_1 \tau_{\frac{9}{2}} \tau_5 \rangle &= \frac{N(40N^6 + 770N^4 + 2681N^2 + 751)}{8640}, \\
\langle \tau_{\frac{5}{2}} \tau_{\frac{9}{2}} \tau_5 \rangle &= \frac{N^2(40N^6 + 1110N^4 + 6737N^2 + 6431)}{17280}, & \langle \tau_4 \tau_{\frac{9}{2}} \tau_5 \rangle &= \frac{N(160N^8 + 6400N^6 + 64690N^4 + 148317N^2 + 31947)}{207360}, \\
\langle \tau_{\frac{1}{2}} \tau_5^2 \rangle &= \frac{N(448N^6 + 8176N^4 + 26740N^2 + 7005)}{145152}, & \langle \tau_2 \tau_5^2 \rangle &= \frac{N^8}{324} + \frac{13N^6}{162} + \frac{2023N^4}{4320} + \frac{277N^2}{630} + \frac{533}{967680}, \\
\langle \tau_{\frac{7}{2}} \tau_5^2 \rangle &= \frac{N(6720N^8 + 251440N^6 + 2487436N^4 + 5672125N^2 + 1220349)}{8709120}, \\
\langle \tau_5^3 \rangle &= \frac{394240N^{10} + 20993280N^8 + 328056960N^6 + 1454969120N^4 + 1157523444N^2 + 376857}{2299207680}.
\end{aligned}$$

### Nonzero four-point correlators $\langle \tau_{\frac{d_1}{2}} \tau_{\frac{d_2}{2}} \tau_{\frac{d_3}{2}} \tau_{\frac{d_4}{2}} \rangle$ , for $0 \leq d_1 \leq d_2 \leq d_3 \leq d_4 \leq 7$

$$\begin{aligned}
\langle \tau_0^3 \tau_1 \rangle &= 1, & \langle \tau_{\frac{1}{2}}^3 \tau_1 \rangle &= 2N, & \langle \tau_0 \tau_{\frac{1}{2}} \tau_1^2 \rangle &= 2N, & \langle \tau_1^4 \rangle &= \frac{1}{4} + 3N^2, & \langle \tau_0 \tau_{\frac{1}{2}}^2 \tau_{\frac{3}{2}} \rangle &= N, & \langle \tau_0^2 \tau_1 \tau_{\frac{3}{2}} \rangle &= 2N, & \langle \tau_{\frac{1}{2}} \tau_1^2 \tau_{\frac{3}{2}} \rangle &= 3N^2, \\
\langle \tau_{\frac{1}{2}}^2 \tau_{\frac{3}{2}}^2 \rangle &= 2N^2, & \langle \tau_0 \tau_1 \tau_{\frac{3}{2}}^2 \rangle &= 3N^2, & \langle \tau_1 \tau_{\frac{3}{2}}^3 \rangle &= N(4N^2 + 1), & \langle \tau_0^2 \tau_{\frac{1}{2}} \tau_2 \rangle &= N, & \langle \tau_{\frac{1}{2}}^2 \tau_1 \tau_2 \rangle &= 3N^2, & \langle \tau_0 \tau_1^2 \tau_2 \rangle &= \frac{1}{4} + 3N^2, \\
\langle \tau_0 \tau_{\frac{1}{2}} \tau_{\frac{3}{2}} \tau_2 \rangle &= 2N^2, & \langle \tau_1^2 \tau_{\frac{3}{2}} \tau_2 \rangle &= 2N(2N^2 + 1), & \langle \tau_{\frac{1}{2}} \tau_{\frac{3}{2}}^2 \tau_2 \rangle &= N(3N^2 + 1), & \langle \tau_0^2 \tau_2^2 \rangle &= \frac{1}{6} + 2N^2, & \langle \tau_{\frac{1}{2}} \tau_1 \tau_2^2 \rangle &= \frac{1}{3}N(12N^2 + 5), \\
\langle \tau_0 \tau_{\frac{3}{2}} \tau_2^2 \rangle &= \frac{1}{12}N(36N^2 + 17), & \langle \tau_{\frac{3}{2}}^2 \tau_2^2 \rangle &= \frac{1}{12}N^2(48N^2 + 65), & \langle \tau_1 \tau_2^3 \rangle &= 5N^4 + \frac{15}{2}N^2 + \frac{7}{48}, & \langle \tau_0^3 \tau_{\frac{5}{2}} \rangle &= N, & \langle \tau_{\frac{1}{2}}^3 \tau_{\frac{5}{2}} \rangle &= \frac{3}{2}N^2, \\
\langle \tau_0 \tau_{\frac{1}{2}} \tau_1 \tau_{\frac{5}{2}} \rangle &= \frac{3}{2}N^2, & \langle \tau_1^3 \tau_{\frac{5}{2}} \rangle &= 2N(N^2 + 1), & \langle \tau_0^2 \tau_{\frac{3}{2}} \tau_{\frac{5}{2}} \rangle &= \frac{3}{2}N^2, & \langle \tau_{\frac{1}{2}} \tau_1 \tau_{\frac{3}{2}} \tau_{\frac{5}{2}} \rangle &= N(2N^2 + 1), & \langle \tau_0 \tau_{\frac{3}{2}}^2 \tau_{\frac{5}{2}} \rangle &= \frac{1}{4}N(8N^2 + 3), \\
\langle \tau_{\frac{3}{2}}^3 \tau_{\frac{5}{2}} \rangle &= 5/8N^2(4N^2 + 5), & \langle \tau_{\frac{1}{2}}^2 \tau_2 \tau_{\frac{5}{2}} \rangle &= \frac{1}{6}N(12N^2 + 5), & \langle \tau_0 \tau_1 \tau_2 \tau_{\frac{5}{2}} \rangle &= \frac{2}{3}N(3N^2 + 2), & \langle \tau_1 \tau_{\frac{3}{2}} \tau_2 \tau_{\frac{5}{2}} \rangle &= \frac{5}{12}N^2(6N^2 + 11), \\
\langle \tau_{\frac{1}{2}} \tau_2^2 \tau_{\frac{5}{2}} \rangle &= \frac{1}{8}N^2(20N^2 + 31), & \langle \tau_2^3 \tau_{\frac{5}{2}} \rangle &= \frac{1}{24}N(72N^4 + 258N^2 + 73), & \langle \tau_0 \tau_{\frac{1}{2}} \tau_{\frac{3}{2}}^2 \rangle &= \frac{1}{2}N(2N^2 + 1), & \langle \tau_1^2 \tau_{\frac{5}{2}}^2 \rangle &= \frac{5}{4}N^2(N^2 + 3), \\
\langle \tau_{\frac{1}{2}} \tau_{\frac{3}{2}} \tau_{\frac{5}{2}}^2 \rangle &= \frac{1}{4}N^2(5N^2 + 9), & \langle \tau_0 \tau_2 \tau_{\frac{5}{2}}^2 \rangle &= \frac{1}{12}N^2(15N^2 + 31), & \langle \tau_{\frac{3}{2}} \tau_2 \tau_{\frac{5}{2}}^2 \rangle &= \frac{1}{6}N(9N^4 + 38N^2 + 10), & \langle \tau_1 \tau_{\frac{5}{2}}^3 \rangle &= \frac{1}{4}N(N^2 + 6)(3N^2 + 1), \\
\langle \tau_{\frac{5}{2}}^4 \rangle &= \frac{N^2(14N^4 + 157N^2 + 177)}{32}, & \langle \tau_0 \tau_{\frac{1}{2}}^2 \tau_3 \rangle &= N^2, & \langle \tau_0^2 \tau_1 \tau_3 \rangle &= \frac{1}{8} + \frac{3}{2}N^2, & \langle \tau_{\frac{1}{2}} \tau_1^2 \tau_3 \rangle &= \frac{N(4N^2 + 3)}{2}, & \langle \tau_{\frac{1}{2}}^2 \tau_{\frac{3}{2}} \tau_3 \rangle &= \frac{N(36N^2 + 19)}{24}, \\
\langle \tau_0 \tau_1 \tau_{\frac{3}{2}} \tau_3 \rangle &= \frac{1}{6}N(12N^2 + 7), & \langle \tau_1 \tau_{\frac{3}{2}}^2 \tau_3 \rangle &= \frac{5}{24}N^2(12N^2 + 19), & \langle \tau_0 \tau_{\frac{1}{2}} \tau_2 \tau_3 \rangle &= \frac{1}{24}N(36N^2 + 19), & \langle \tau_1^2 \tau_2 \tau_3 \rangle &= \frac{29}{288} + \frac{5}{2}N^4 + \frac{65}{12}N^2, \\
\langle \tau_{\frac{1}{2}} \tau_{\frac{3}{2}} \tau_2 \tau_3 \rangle &= \frac{2}{3}N^2(3N^2 + 5), & \langle \tau_0 \tau_2^2 \tau_3 \rangle &= \frac{5}{72} + 2N^4 + \frac{11}{3}N^2, & \langle \tau_{\frac{3}{2}} \tau_2^2 \tau_3 \rangle &= \frac{1}{288}N(720N^4 + 2688N^2 + 731), & \langle \tau_0^2 \tau_{\frac{5}{2}} \tau_3 \rangle &= \frac{1}{8}N(8N^2 + 5), \\
\langle \tau_{\frac{1}{2}} \tau_1 \tau_{\frac{5}{2}} \tau_3 \rangle &= \frac{5}{16}N^2(4N^2 + 9), & \langle \tau_0 \tau_{\frac{3}{2}} \tau_{\frac{5}{2}} \tau_3 \rangle &= \frac{1}{48}N^2(60N^2 + 109), & \langle \tau_{\frac{3}{2}}^2 \tau_{\frac{5}{2}} \tau_3 \rangle &= \frac{1}{96}N(144N^4 + 532N^2 + 137), \\
\langle \tau_1 \tau_2 \tau_{\frac{5}{2}} \tau_3 \rangle &= \frac{1}{24}N(36N^4 + 171N^2 + 56), & \langle \tau_{\frac{1}{2}} \tau_{\frac{5}{2}}^2 \tau_3 \rangle &= \frac{1}{16}N(12N^4 + 58N^2 + 17), & \langle \tau_2 \tau_{\frac{5}{2}}^2 \tau_3 \rangle &= \frac{1}{96}N^2(84N^4 + 725N^2 + 789), \\
\langle \tau_{\frac{1}{2}}^2 \tau_3^2 \rangle &= \frac{1}{12}N^2(12N^2 + 25), & \langle \tau_0 \tau_1 \tau_3^2 \rangle &= \frac{29}{576} + \frac{5}{4}N^4 + \frac{65}{24}N^2, & \langle \tau_1 \tau_{\frac{3}{2}} \tau_3^2 \rangle &= \frac{1}{96}N(144N^4 + 600N^2 + 193), \\
\langle \tau_{\frac{1}{2}} \tau_2 \tau_3^2 \rangle &= \frac{1}{576}N(720N^4 + 3096N^2 + 925), & \langle \tau_2^2 \tau_3^2 \rangle &= \frac{3}{2}N^6 + \frac{275}{24}N^4 + \frac{1151}{96}N^2 + \frac{205}{3456}, & \langle \tau_0 \tau_{\frac{5}{2}} \tau_3^2 \rangle &= \frac{1}{576}N(432N^4 + 1968N^2 + 641), \\
\langle \tau_{\frac{3}{2}} \tau_{\frac{5}{2}} \tau_3^2 \rangle &= \frac{N^2(1008N^4 + 7704N^2 + 8147)}{1152}, & \langle \tau_1 \tau_3^3 \rangle &= \frac{7}{8}N^6 + \frac{231}{32}N^4 + \frac{3367}{384}N^2 + \frac{583}{13824}, & \langle \tau_{\frac{5}{2}} \tau_3^3 \rangle &= \frac{N(6912N^6 + 92016N^4 + 239544N^2 + 56671)}{13824}, \\
\langle \tau_0^2 \tau_{\frac{1}{2}} \tau_{\frac{7}{2}} \rangle &= \frac{N^2}{2}, & \langle \tau_{\frac{1}{2}}^2 \tau_1 \tau_{\frac{7}{2}} \rangle &= \frac{N(3N^2 + 2)}{3}, & \langle \tau_0 \tau_1^2 \tau_{\frac{7}{2}} \rangle &= N(N^2 + 1), & \langle \tau_0 \tau_{\frac{1}{2}} \tau_{\frac{3}{2}} \tau_{\frac{7}{2}} \rangle &= \frac{N(9N^2 + 5)}{12},
\end{aligned}$$

$$\begin{aligned}
\langle \tau_1^2 \tau_{\frac{3}{2}} \tau_{\frac{7}{2}} \rangle &= \frac{5}{12} N^2 (3N^2 + 7), \quad \langle \tau_{\frac{1}{2}} \tau_{\frac{3}{2}}^2 \tau_{\frac{7}{2}} \rangle = \frac{1}{24} N^2 (24N^2 + 41), \quad \langle \tau_0^2 \tau_2 \tau_{\frac{7}{2}} \rangle = \frac{1}{12} N (9N^2 + 7), \quad \langle \tau_{\frac{1}{2}} \tau_1 \tau_2 \tau_{\frac{7}{2}} \rangle = \frac{5}{4} N^2 (N^2 + 2), \\
\langle \tau_0 \tau_{\frac{3}{2}} \tau_2 \tau_{\frac{7}{2}} \rangle &= N^2 (N^2 + 2), \quad \langle \tau_{\frac{3}{2}}^2 \tau_2 \tau_{\frac{7}{2}} \rangle = \frac{1}{24} N (30N^4 + 118N^2 + 29), \quad \langle \tau_1 \tau_2^2 \tau_{\frac{7}{2}} \rangle = \frac{1}{24} N (36N^4 + 153N^2 + 49), \\
\langle \tau_{\frac{1}{2}}^2 \tau_{\frac{5}{2}} \tau_{\frac{7}{2}} \rangle &= \frac{5}{8} N^2 (N^2 + 2), \quad \langle \tau_0 \tau_1 \tau_{\frac{5}{2}} \tau_{\frac{7}{2}} \rangle = \frac{5}{24} N^2 (3N^2 + 8), \quad \langle \tau_1 \tau_{\frac{3}{2}} \tau_{\frac{5}{2}} \tau_{\frac{7}{2}} \rangle = \frac{3}{8} N (2N^4 + 10N^2 + 3), \\
\langle \tau_{\frac{1}{2}} \tau_2 \tau_{\frac{5}{2}} \tau_{\frac{7}{2}} \rangle &= \frac{1}{72} N (54N^4 + 234N^2 + 67), \quad \langle \tau_2^2 \tau_{\frac{5}{2}} \tau_{\frac{7}{2}} \rangle = \frac{1}{288} N^2 (252N^4 + 1959N^2 + 2080), \quad \langle \tau_0 \tau_{\frac{5}{2}}^2 \tau_{\frac{7}{2}} \rangle = \frac{1}{24} N (9N^4 + 49N^2 + 15), \\
\langle \tau_{\frac{3}{2}} \tau_{\frac{5}{2}}^2 \tau_{\frac{7}{2}} \rangle &= \frac{1}{96} N^2 (42N^4 + 377N^2 + 401), \quad \langle \tau_0 \tau_{\frac{1}{2}} \tau_3 \tau_{\frac{7}{2}} \rangle = \frac{1}{16} N^2 (8N^2 + 17), \quad \langle \tau_1^2 \tau_3 \tau_{\frac{7}{2}} \rangle = \frac{1}{48} N (36N^4 + 195N^2 + 79), \\
\langle \tau_{\frac{1}{2}} \tau_{\frac{3}{2}} \tau_3 \tau_{\frac{7}{2}} \rangle &= \frac{1}{288} N (180N^4 + 783N^2 + 239), \quad \langle \tau_0 \tau_2 \tau_3 \tau_{\frac{7}{2}} \rangle = \frac{1}{288} N (180N^4 + 843N^2 + 289), \quad \langle \tau_{\frac{3}{2}} \tau_2 \tau_3 \tau_{\frac{7}{2}} \rangle = \frac{1}{48} N^2 (36N^4 + 283N^2 + 297), \\
\langle \tau_1 \tau_{\frac{5}{2}} \tau_3 \tau_{\frac{7}{2}} \rangle &= \frac{7N^2 (12N^4 + 115N^2 + 144)}{192}, \quad \langle \tau_{\frac{5}{2}}^2 \tau_3 \tau_{\frac{7}{2}} \rangle = \frac{N (144N^6 + 2199N^4 + 5963N^2 + 1373)}{576}, \quad \langle \tau_{\frac{1}{2}} \tau_3^2 \tau_{\frac{7}{2}} \rangle = \frac{N^2 (432N^4 + 3696N^2 + 4313)}{1152}, \\
\langle \tau_2 \tau_3^2 \tau_{\frac{7}{2}} \rangle &= \frac{1}{6912} N (3024N^6 + 40968N^4 + 104997N^2 + 24955), \quad \langle \tau_0^2 \tau_{\frac{7}{2}}^2 \rangle = \frac{1}{12} N^2 (3N^2 + 8), \quad \langle \tau_{\frac{1}{2}} \tau_1 \tau_{\frac{7}{2}}^2 \rangle = \frac{1}{24} N (9N^4 + 45N^2 + 16), \\
\langle \tau_0 \tau_{\frac{3}{2}} \tau_{\frac{7}{2}}^2 \rangle &= \frac{5}{144} N (3N^2 + 14) (3N^2 + 1), \quad \langle \tau_{\frac{3}{2}}^2 \tau_{\frac{7}{2}}^2 \rangle = \frac{1}{72} N^2 (27N^4 + 222N^2 + 226), \quad \langle \tau_1 \tau_2 \tau_{\frac{7}{2}}^2 \rangle = \frac{7}{144} N^2 (9N^4 + 78N^2 + 95), \\
\langle \tau_{\frac{1}{2}} \tau_{\frac{5}{2}} \tau_{\frac{7}{2}}^2 \rangle &= \frac{1}{96} N^2 (21N^4 + 185N^2 + 214), \quad \langle \tau_2 \tau_{\frac{5}{2}} \tau_{\frac{7}{2}}^2 \rangle = \frac{1}{864} N (216N^6 + 2997N^4 + 7893N^2 + 1802), \quad \langle \tau_0 \tau_3 \tau_{\frac{7}{2}}^2 \rangle = \frac{1}{288} N^2 (54N^4 + 501N^2 + 622), \\
\langle \tau_{\frac{3}{2}} \tau_3 \tau_{\frac{7}{2}}^2 \rangle &= \frac{1}{3456} N (756N^6 + 10539N^4 + 27099N^2 + 6226), \quad \langle \tau_3^2 \tau_{\frac{7}{2}}^2 \rangle = \frac{1}{2304} N^2 (288N^6 + 6228N^4 + 31129N^2 + 27236), \\
\langle \tau_1 \tau_{\frac{7}{2}}^3 \rangle &= \frac{1}{216} N (27N^6 + 405N^4 + 1188N^2 + 305), \quad \langle \tau_{\frac{5}{2}} \tau_{\frac{7}{2}}^3 \rangle = \frac{1}{1152} N^2 (81N^6 + 1791N^4 + 9294N^2 + 8084).
\end{aligned}$$

**Nonzero five-point correlators  $\langle \tau_{d_1} \dots \tau_{d_5} \rangle$ , for  $0 \leq d_1 \leq \dots \leq d_5 \leq 6$**

$$\begin{aligned}
\langle \tau_0^3 \tau_1^2 \rangle &= 2, \quad \langle \tau_{\frac{1}{2}}^3 \tau_1^2 \rangle = 6N, \quad \langle \tau_0 \tau_{\frac{1}{2}} \tau_1^3 \rangle = 6N, \quad \langle \tau_1^5 \rangle = 12N^2 + 1, \quad \langle \tau_{\frac{1}{2}}^4 \tau_{\frac{3}{2}} \rangle = 3N, \quad \langle \tau_0 \tau_{\frac{1}{2}}^2 \tau_1 \tau_{\frac{3}{2}} \rangle = 3N, \quad \langle \tau_0^2 \tau_1^2 \tau_{\frac{3}{2}} \rangle = 6N, \\
\langle \tau_{\frac{1}{2}} \tau_1^3 \tau_{\frac{3}{2}} \rangle &= 12N^2, \quad \langle \tau_0^2 \tau_{\frac{1}{2}} \tau_{\frac{3}{2}}^2 \rangle = 2N, \quad \langle \tau_{\frac{1}{2}}^2 \tau_1 \tau_{\frac{3}{2}}^2 \rangle = 8N^2, \quad \langle \tau_0 \tau_1^2 \tau_{\frac{3}{2}}^2 \rangle = 12N^2, \quad \langle \tau_0 \tau_{\frac{1}{2}} \tau_{\frac{3}{2}}^3 \rangle = 6N^2, \quad \langle \tau_1^2 \tau_{\frac{3}{2}}^3 \rangle = 5N (4N^2 + 1), \\
\langle \tau_{\frac{1}{2}} \tau_{\frac{3}{2}}^4 \rangle &= 3N (4N^2 + 1), \quad \langle \tau_0^4 \tau_2 \rangle = 1, \quad \langle \tau_0 \tau_{\frac{1}{2}} \tau_3 \tau_2 \rangle = 2N, \quad \langle \tau_0^2 \tau_{\frac{1}{2}} \tau_1 \tau_2 \rangle = 3N, \quad \langle \tau_{\frac{1}{2}}^2 \tau_1^2 \tau_2 \rangle = 12N^2, \quad \langle \tau_0 \tau_1^3 \tau_2 \rangle = 12N^2 + 1, \\
\langle \tau_0^3 \tau_{\frac{3}{2}} \tau_2 \rangle &= 3N, \quad \langle \tau_{\frac{1}{2}}^3 \tau_{\frac{3}{2}} \tau_2 \rangle = 7N^2, \quad \langle \tau_0 \tau_{\frac{1}{2}} \tau_1 \tau_{\frac{3}{2}} \tau_2 \rangle = 8N^2, \quad \langle \tau_1^3 \tau_{\frac{3}{2}} \tau_2 \rangle = 10N (2N^2 + 1), \quad \langle \tau_0^2 \tau_{\frac{3}{2}}^2 \tau_2 \rangle = 7N^2, \\
\langle \tau_{\frac{1}{2}} \tau_1 \tau_{\frac{3}{2}}^2 \tau_2 \rangle &= 5N (3N^2 + 1), \quad \langle \tau_0 \tau_{\frac{3}{2}}^3 \tau_2 \rangle = N (13N^2 + 4), \quad \langle \tau_{\frac{3}{2}}^4 \tau_2 \rangle = N^2 (21N^2 + 22), \quad \langle \tau_0 \tau_{\frac{1}{2}}^2 \tau_2^2 \rangle = 6N^2, \quad \langle \tau_0^2 \tau_1 \tau_2^2 \rangle = \frac{2}{3} + 8N^2, \\
\langle \tau_{\frac{1}{2}} \tau_1^2 \tau_2^2 \rangle &= \frac{5}{3} N (12N^2 + 5), \quad \langle \tau_{\frac{1}{2}}^2 \tau_{\frac{3}{2}} \tau_2^2 \rangle = \frac{1}{12} N (156N^2 + 53), \quad \langle \tau_0 \tau_1 \tau_{\frac{3}{2}} \tau_2^2 \rangle = \frac{5}{12} N (36N^2 + 17), \quad \langle \tau_1 \tau_{\frac{3}{2}}^2 \tau_2^2 \rangle = \frac{1}{2} N^2 (48N^2 + 65), \\
\langle \tau_0 \tau_{\frac{1}{2}} \tau_2^3 \rangle &= N (12N^2 + 5), \quad \langle \tau_1^2 \tau_2^3 \rangle = 30N^4 + 45N^2 + \frac{7}{8}, \quad \langle \tau_{\frac{1}{2}} \tau_{\frac{3}{2}} \tau_2^3 \rangle = \frac{1}{4} N^2 (84N^2 + 109), \quad \langle \tau_0 \tau_2^4 \rangle = 20N^4 + 30N^2 + \frac{7}{12}, \\
\langle \tau_{\frac{3}{2}} \tau_2^4 \rangle &= \frac{1}{48} N (1488N^4 + 4584N^2 + 1129), \quad \langle \tau_0^2 \tau_{\frac{1}{2}}^2 \tau_{\frac{5}{2}} \rangle = N, \quad \langle \tau_0^3 \tau_1 \tau_{\frac{5}{2}} \rangle = 3N, \quad \langle \tau_{\frac{1}{2}}^3 \tau_1 \tau_{\frac{5}{2}} \rangle = 6N^2, \quad \langle \tau_0 \tau_{\frac{1}{2}} \tau_1^2 \tau_{\frac{5}{2}} \rangle = 6N^2, \\
\langle \tau_1^4 \tau_{\frac{5}{2}} \rangle &= 10N (N^2 + 1), \quad \langle \tau_0 \tau_{\frac{1}{2}}^2 \tau_{\frac{3}{2}} \tau_{\frac{5}{2}} \rangle = \frac{7}{2} N^2, \quad \langle \tau_0^2 \tau_1 \tau_{\frac{3}{2}} \tau_{\frac{5}{2}} \rangle = 6N^2, \quad \langle \tau_{\frac{1}{2}} \tau_1^2 \tau_{\frac{3}{2}} \tau_{\frac{5}{2}} \rangle = 5N (2N^2 + 1), \\
\langle \tau_{\frac{1}{2}}^2 \tau_{\frac{3}{2}}^2 \tau_{\frac{5}{2}} \rangle &= \frac{1}{4} N (28N^2 + 11), \quad \langle \tau_0 \tau_1 \tau_{\frac{3}{2}}^2 \tau_{\frac{5}{2}} \rangle = \frac{5}{4} N (8N^2 + 3), \quad \langle \tau_1 \tau_{\frac{3}{2}}^3 \tau_{\frac{5}{2}} \rangle = \frac{15}{4} N^2 (4N^2 + 5), \quad \langle \tau_0^2 \tau_{\frac{1}{2}} \tau_2 \tau_{\frac{5}{2}} \rangle = \frac{7}{2} N^2, \\
\langle \tau_{\frac{1}{2}}^2 \tau_1 \tau_2 \tau_{\frac{5}{2}} \rangle &= \frac{5}{6} N (12N^2 + 5), \quad \langle \tau_0 \tau_1^2 \tau_2 \tau_{\frac{5}{2}} \rangle = \frac{10}{3} N (3N^2 + 2), \quad \langle \tau_0 \tau_{\frac{1}{2}} \tau_{\frac{3}{2}} \tau_2 \tau_{\frac{5}{2}} \rangle = \frac{1}{6} N (42N^2 + 17), \quad \langle \tau_1^2 \tau_{\frac{3}{2}} \tau_2 \tau_{\frac{5}{2}} \rangle = \frac{5}{2} N^2 (6N^2 + 11), \\
\langle \tau_{\frac{1}{2}} \tau_{\frac{3}{2}}^2 \tau_2 \tau_{\frac{5}{2}} \rangle &= \frac{1}{12} N^2 (138N^2 + 191), \quad \langle \tau_0^2 \tau_2^2 \tau_{\frac{5}{2}} \rangle = \frac{7}{12} N (12N^2 + 7), \quad \langle \tau_{\frac{1}{2}} \tau_1 \tau_2^2 \tau_{\frac{5}{2}} \rangle = \frac{3}{4} N^2 (20N^2 + 31), \\
\langle \tau_0 \tau_{\frac{3}{2}} \tau_2^2 \tau_{\frac{5}{2}} \rangle &= \frac{1}{24} N^2 (276N^2 + 443), \quad \langle \tau_{\frac{3}{2}}^2 \tau_2^2 \tau_{\frac{5}{2}} \rangle = \frac{1}{48} N (816N^4 + 2716N^2 + 623), \quad \langle \tau_1 \tau_2^3 \tau_{\frac{5}{2}} \rangle = \frac{7}{24} N (72N^4 + 258N^2 + 73), \quad \langle \tau_0^3 \tau_{\frac{5}{2}}^2 \rangle = 3N^2, \\
\langle \tau_{\frac{1}{2}}^3 \tau_{\frac{5}{2}}^2 \rangle &= N (5N^2 + 2), \quad \langle \tau_0 \tau_{\frac{1}{2}} \tau_1 \tau_{\frac{5}{2}}^2 \rangle = \frac{5}{2} N (2N^2 + 1), \quad \langle \tau_1^3 \tau_{\frac{5}{2}}^2 \rangle = \frac{15}{2} N^2 (N^2 + 3), \quad \langle \tau_0^2 \tau_{\frac{3}{2}} \tau_{\frac{5}{2}}^2 \rangle = N (5N^2 + 2),
\end{aligned}$$

$$\begin{aligned}
\left\langle \tau_{\frac{1}{2}} \tau_1 \tau_{\frac{3}{2}} \tau_{\frac{5}{2}}^2 \right\rangle &= \frac{3}{2} N^2 (5 N^2 + 9), \quad \left\langle \tau_0 \tau_{\frac{3}{2}}^2 \tau_{\frac{5}{2}}^2 \right\rangle = \frac{1}{4} N^2 (30 N^2 + 43), \quad \left\langle \tau_{\frac{3}{2}}^3 \tau_{\frac{5}{2}}^2 \right\rangle = \frac{1}{4} N (42 N^4 + 133 N^2 + 30), \quad \left\langle \tau_{\frac{1}{2}}^2 \tau_2 \tau_{\frac{5}{2}}^2 \right\rangle = \frac{1}{2} N^2 (15 N^2 + 23), \\
\left\langle \tau_0 \tau_1 \tau_2 \tau_{\frac{5}{2}}^2 \right\rangle &= \frac{1}{2} N^2 (15 N^2 + 31), \quad \left\langle \tau_1 \tau_{\frac{3}{2}} \tau_2 \tau_{\frac{5}{2}}^2 \right\rangle = \frac{7N (9 N^4 + 38 N^2 + 10)}{6}, \quad \left\langle \tau_{\frac{1}{2}} \tau_2^2 \tau_{\frac{5}{2}}^2 \right\rangle = \frac{1}{72} N (756 N^4 + 2742 N^2 + 691), \\
\left\langle \tau_2^3 \tau_{\frac{5}{2}}^2 \right\rangle &= \frac{N^2 (336 N^4 + 2292 N^2 + 2177)}{24}, \quad \left\langle \tau_0 \tau_{\frac{1}{2}} \tau_{\frac{5}{2}}^3 \right\rangle = \frac{3N^2 (5 N^2 + 9)}{4}, \quad \left\langle \tau_1^2 \tau_{\frac{5}{2}}^3 \right\rangle = \frac{7N (N^2 + 6) (3 N^2 + 1)}{4}, \\
\left\langle \tau_{\frac{1}{2}} \tau_{\frac{3}{2}} \tau_{\frac{5}{2}}^3 \right\rangle &= \frac{3N (14 N^4 + 58 N^2 + 15)}{8}, \quad \left\langle \tau_0 \tau_2 \tau_{\frac{5}{2}}^3 \right\rangle = \frac{1}{4} N (21 N^4 + 95 N^2 + 26), \quad \left\langle \tau_{\frac{3}{2}} \tau_2 \tau_{\frac{5}{2}}^3 \right\rangle = \frac{7}{8} N^2 (8 N^4 + 63 N^2 + 60), \\
\left\langle \tau_1 \tau_{\frac{5}{2}}^4 \right\rangle &= \frac{1}{4} N^2 (14 N^4 + 157 N^2 + 177), \quad \left\langle \tau_{\frac{5}{2}}^5 \right\rangle = 1/8 N (18 N^6 + 321 N^4 + 828 N^2 + 175), \quad \left\langle \tau_0^3 \tau_{\frac{1}{2}} \tau_3 \right\rangle = N, \quad \left\langle \tau_{\frac{1}{2}}^4 \tau_3 \right\rangle = 4 N^2, \\
\left\langle \tau_0 \tau_{\frac{1}{2}}^2 \tau_1 \tau_3 \right\rangle &= 4 N^2, \quad \left\langle \tau_0^2 \tau_1^2 \tau_3 \right\rangle = \frac{1}{2} + 6 N^2, \quad \left\langle \tau_{\frac{1}{2}} \tau_1^3 \tau_3 \right\rangle = \frac{5}{2} N (4 N^2 + 3), \quad \left\langle \tau_0^2 \tau_{\frac{1}{2}} \tau_{\frac{3}{2}} \tau_3 \right\rangle = 3 N^2, \quad \left\langle \tau_{\frac{1}{2}}^2 \tau_1 \tau_{\frac{3}{2}} \tau_3 \right\rangle = \frac{5}{24} N (36 N^2 + 19), \\
\left\langle \tau_0 \tau_1^2 \tau_{\frac{3}{2}} \tau_3 \right\rangle &= \frac{5}{6} N (12 N^2 + 7), \quad \left\langle \tau_0 \tau_{\frac{1}{2}} \tau_{\frac{3}{2}}^2 \tau_3 \right\rangle = \frac{1}{12} N (72 N^2 + 31), \quad \left\langle \tau_1^2 \tau_{\frac{3}{2}}^2 \tau_3 \right\rangle = \frac{5}{4} N^2 (12 N^2 + 19), \quad \left\langle \tau_{\frac{1}{2}} \tau_{\frac{3}{2}}^3 \tau_3 \right\rangle = \frac{5}{4} N^2 (8 N^2 + 11), \\
\left\langle \tau_0^3 \tau_2 \tau_3 \right\rangle &= \frac{7}{24} + \frac{7}{2} N^2, \quad \left\langle \tau_{\frac{1}{2}}^3 \tau_2 \tau_3 \right\rangle = \frac{1}{12} N (84 N^2 + 37), \quad \left\langle \tau_0 \tau_{\frac{1}{2}} \tau_1 \tau_2 \tau_3 \right\rangle = \frac{5}{24} N (36 N^2 + 19), \quad \left\langle \tau_1^3 \tau_2 \tau_3 \right\rangle = 15 N^4 + \frac{65}{2} N^2 + \frac{29}{48}, \\
\left\langle \tau_0^2 \tau_{\frac{3}{2}} \tau_2 \tau_3 \right\rangle &= \frac{1}{8} N (52 N^2 + 27), \quad \left\langle \tau_{\frac{1}{2}} \tau_1 \tau_{\frac{3}{2}} \tau_2 \tau_3 \right\rangle = 4 N^2 (3 N^2 + 5), \quad \left\langle \tau_0 \tau_{\frac{3}{2}}^2 \tau_2 \tau_3 \right\rangle = \frac{7}{24} N^2 (36 N^2 + 55), \quad \left\langle \tau_{\frac{3}{2}}^3 \tau_2 \tau_3 \right\rangle = \frac{1}{24} N (372 N^4 + 1183 N^2 + 262), \\
\left\langle \tau_{\frac{1}{2}}^2 \tau_2^2 \tau_3 \right\rangle &= \frac{1}{12} N^2 (132 N^2 + 203), \quad \left\langle \tau_0 \tau_1 \tau_2^2 \tau_3 \right\rangle = 12 N^4 + \frac{5}{12} + 22 N^2, \quad \left\langle \tau_1 \tau_{\frac{3}{2}} \tau_2^2 \tau_3 \right\rangle = \frac{7}{288} N (720 N^4 + 2688 N^2 + 731), \\
\left\langle \tau_{\frac{1}{2}} \tau_2^3 \tau_3 \right\rangle &= \frac{1}{3} N (48 N^4 + 168 N^2 + 43), \quad \left\langle \tau_2^4 \tau_3 \right\rangle = 22 N^6 + \frac{857}{6} N^4 + \frac{3163}{24} N^2 + \frac{193}{288}, \quad \left\langle \tau_0 \tau_{\frac{1}{2}}^2 \tau_{\frac{5}{2}} \tau_3 \right\rangle = \frac{1}{8} N (28 N^2 + 13), \\
\left\langle \tau_0^2 \tau_1 \tau_{\frac{5}{2}} \tau_3 \right\rangle &= \frac{5}{8} N (8 N^2 + 5), \quad \left\langle \tau_{\frac{1}{2}} \tau_1^2 \tau_{\frac{5}{2}} \tau_3 \right\rangle = \frac{15}{8} N^2 (4 N^2 + 9), \quad \left\langle \tau_{\frac{1}{2}}^2 \tau_{\frac{3}{2}} \tau_{\frac{5}{2}} \tau_3 \right\rangle = \frac{1}{16} N^2 (92 N^2 + 159), \quad \left\langle \tau_0 \tau_1 \tau_{\frac{3}{2}} \tau_{\frac{5}{2}} \tau_3 \right\rangle = \frac{1}{8} N^2 (60 N^2 + 109) \\
\left\langle \tau_1 \tau_{\frac{3}{2}}^2 \tau_{\frac{5}{2}} \tau_3 \right\rangle &= \frac{7}{96} N (144 N^4 + 532 N^2 + 137), \quad \left\langle \tau_0 \tau_{\frac{1}{2}} \tau_2 \tau_{\frac{5}{2}} \tau_3 \right\rangle = \frac{1}{48} N^2 (276 N^2 + 481), \quad \left\langle \tau_1^2 \tau_2 \tau_{\frac{5}{2}} \tau_3 \right\rangle = \frac{7}{24} N (36 N^4 + 171 N^2 + 56), \\
\left\langle \tau_{\frac{1}{2}} \tau_{\frac{3}{2}} \tau_2 \tau_{\frac{5}{2}} \tau_3 \right\rangle &= \frac{1}{144} N (1224 N^4 + 4650 N^2 + 1199), \quad \left\langle \tau_0 \tau_2^2 \tau_{\frac{5}{2}} \tau_3 \right\rangle = \frac{1}{288} N (2448 N^4 + 9888 N^2 + 2951), \\
\left\langle \tau_{\frac{3}{2}} \tau_2^2 \tau_{\frac{5}{2}} \tau_3 \right\rangle &= \frac{1}{576} N^2 (6768 N^4 + 47472 N^2 + 44689), \quad \left\langle \tau_0^2 \tau_{\frac{5}{2}}^2 \tau_3 \right\rangle = \frac{3}{8} N^2 (10 N^2 + 19), \quad \left\langle \tau_{\frac{1}{2}} \tau_1 \tau_{\frac{5}{2}}^2 \tau_3 \right\rangle = \frac{7}{16} N (12 N^4 + 58 N^2 + 17), \\
\left\langle \tau_0 \tau_{\frac{3}{2}} \tau_{\frac{5}{2}}^2 \tau_3 \right\rangle &= \frac{1}{24} N (18 N^2 + 67) (7 N^2 + 2), \quad \left\langle \tau_{\frac{3}{2}}^2 \tau_{\frac{5}{2}}^2 \tau_3 \right\rangle = \frac{1}{96} N^2 (672 N^4 + 4678 N^2 + 4329), \quad \left\langle \tau_1 \tau_2 \tau_{\frac{5}{2}}^2 \tau_3 \right\rangle = \frac{1}{12} N^2 (84 N^4 + 725 N^2 + 789), \\
\left\langle \tau_{\frac{1}{2}} \tau_{\frac{5}{2}}^3 \tau_3 \right\rangle &= \frac{1}{32} N^2 (112 N^4 + 975 N^2 + 1011), \quad \left\langle \tau_2 \tau_{\frac{5}{2}}^3 \tau_3 \right\rangle = \frac{1}{96} N (432 N^6 + 6045 N^4 + 14707 N^2 + 3114), \quad \left\langle \tau_0^2 \tau_{\frac{1}{2}} \tau_3^2 \right\rangle = \frac{1}{12} N (36 N^2 + 19), \\
\left\langle \tau_{\frac{1}{2}}^2 \tau_1 \tau_3^2 \right\rangle &= \frac{1}{2} N^2 (12 N^2 + 25), \quad \left\langle \tau_0 \tau_1^2 \tau_3^2 \right\rangle = \frac{15}{2} N^4 + \frac{65}{4} N^2 + \frac{29}{96}, \quad \left\langle \tau_0 \tau_{\frac{1}{2}} \tau_{\frac{3}{2}} \tau_3^2 \right\rangle = \frac{5}{4} N^2 (4 N^2 + 7), \quad \left\langle \tau_1^2 \tau_{\frac{3}{2}} \tau_3^2 \right\rangle = \frac{7}{96} N (144 N^4 + 600 N^2 + 193), \\
\left\langle \tau_{\frac{1}{2}} \tau_{\frac{3}{2}}^2 \tau_3^2 \right\rangle &= \frac{1}{288} N (2160 N^4 + 7920 N^2 + 2113), \quad \left\langle \tau_0^2 \tau_2 \tau_3^2 \right\rangle = \frac{21}{4} N^4 + \frac{241}{24} N^2 + \frac{109}{576}, \quad \left\langle \tau_{\frac{1}{2}} \tau_1 \tau_2 \tau_3^2 \right\rangle = \frac{7}{576} N (720 N^4 + 3096 N^2 + 925), \\
\left\langle \tau_0 \tau_{\frac{3}{2}} \tau_2 \tau_3^2 \right\rangle &= \frac{1}{192} N (1488 N^4 + 5816 N^2 + 1669), \quad \left\langle \tau_{\frac{3}{2}}^2 \tau_2 \tau_3^2 \right\rangle = \frac{1}{576} N^2 (6192 N^4 + 41544 N^2 + 38299), \\
\left\langle \tau_1 \tau_2^2 \tau_3^2 \right\rangle &= 12 N^6 + \frac{275}{3} N^4 + \frac{1151}{12} N^2 + \frac{205}{432}, \quad \left\langle \tau_{\frac{1}{2}}^2 \tau_{\frac{5}{2}} \tau_3^2 \right\rangle = \frac{1}{576} N (2448 N^4 + 10824 N^2 + 3041), \quad \left\langle \tau_0 \tau_1 \tau_{\frac{5}{2}} \tau_3^2 \right\rangle = \frac{7}{576} N (432 N^4 + 1968 N^2 + 641), \\
\left\langle \tau_1 \tau_{\frac{3}{2}} \tau_{\frac{5}{2}} \tau_3^2 \right\rangle &= \frac{1}{144} N^2 (1008 N^4 + 7704 N^2 + 8147), \quad \left\langle \tau_{\frac{1}{2}} \tau_2 \tau_{\frac{5}{2}} \tau_3^2 \right\rangle = \frac{1}{1152} N^2 (6768 N^4 + 52728 N^2 + 53659), \\
\left\langle \tau_2^2 \tau_{\frac{5}{2}} \tau_3^2 \right\rangle &= \frac{1}{2304} N (17856 N^6 + 222672 N^4 + 518084 N^2 + 112379), \quad \left\langle \tau_0 \tau_{\frac{5}{2}}^2 \tau_3^2 \right\rangle = \frac{1}{576} N^2 (2016 N^4 + 16404 N^2 + 17615), \\
\left\langle \tau_{\frac{3}{2}} \tau_{\frac{5}{2}}^2 \tau_3^2 \right\rangle &= \frac{1}{576} N (2592 N^6 + 32364 N^4 + 76145 N^2 + 16018), \quad \left\langle \tau_0 \tau_{\frac{1}{2}} \tau_3^3 \right\rangle = \frac{1}{192} N (720 N^4 + 3096 N^2 + 925), \\
\left\langle \tau_1^2 \tau_3^3 \right\rangle &= 7 N^6 + \frac{231}{4} N^4 + \frac{3367}{48} N^2 + \frac{583}{1728}, \quad \left\langle \tau_{\frac{1}{2}} \tau_{\frac{3}{2}} \tau_3^3 \right\rangle = \frac{1}{64} N^2 (336 N^4 + 2488 N^2 + 2573), \\
\left\langle \tau_0 \tau_2 \tau_3^3 \right\rangle &= \frac{43}{8} N^6 + \frac{1331}{32} N^4 + \frac{17179}{384} N^2 + \frac{3043}{13824}, \quad \left\langle \tau_{\frac{3}{2}} \tau_2 \tau_3^3 \right\rangle = \frac{1}{4608} N (32832 N^6 + 390096 N^4 + 893388 N^2 + 191695), \\
\left\langle \tau_1 \tau_{\frac{5}{2}} \tau_3^3 \right\rangle &= \frac{1}{1536} N (6912 N^6 + 92016 N^4 + 239544 N^2 + 56671), \quad \left\langle \tau_{\frac{5}{2}}^2 \tau_3^3 \right\rangle = \frac{1}{1536} N^2 (4320 N^6 + 86112 N^4 + 403102 N^2 + 324543), \\
\left\langle \tau_{\frac{1}{2}} \tau_3^4 \right\rangle &= \frac{1}{3456} N (12096 N^6 + 155088 N^4 + 388476 N^2 + 87751), \quad \left\langle \tau_2 \tau_3^4 \right\rangle = \frac{73}{16} N^8 + \frac{4141}{48} N^6 + \frac{148945}{384} N^4 + \frac{2144437}{6912} N^2 + \frac{134233}{331776}.
\end{aligned}$$

**Nonzero six-point correlators**  $\left\langle \tau_{\frac{d_1}{2}} \dots \tau_{\frac{d_6}{2}} \right\rangle$ , for  $0 \leq d_1 \leq \dots \leq d_6 \leq 4$

$$\begin{aligned}
&\langle \tau_0^3 \tau_1^3 \rangle = 6, \quad \langle \tau_{\frac{1}{2}}^3 \tau_1^3 \rangle = 24 N, \quad \langle \tau_0 \tau_{\frac{1}{2}} \tau_1^4 \rangle = 24 N, \quad \langle \tau_1^6 \rangle = 60 N^2 + 5, \quad \langle \tau_{\frac{1}{2}}^4 \tau_1 \tau_{\frac{3}{2}} \rangle = 12 N, \quad \langle \tau_0 \tau_{\frac{1}{2}}^2 \tau_1^2 \tau_{\frac{3}{2}} \rangle = 12 N, \quad \langle \tau_0^2 \tau_1^3 \tau_{\frac{3}{2}} \rangle = 24 N, \\
&\langle \tau_{\frac{1}{2}} \tau_1^4 \tau_{\frac{3}{2}} \rangle = 60 N^2, \quad \langle \tau_0 \tau_{\frac{1}{2}}^3 \tau_{\frac{3}{2}}^2 \rangle = 6 N, \quad \langle \tau_0^2 \tau_{\frac{1}{2}} \tau_1 \tau_{\frac{3}{2}}^2 \rangle = 8 N, \quad \langle \tau_{\frac{1}{2}}^2 \tau_1^2 \tau_{\frac{3}{2}}^2 \rangle = 40 N^2, \quad \langle \tau_0 \tau_1^3 \tau_{\frac{3}{2}}^2 \rangle = 60 N^2, \quad \langle \tau_0^3 \tau_{\frac{3}{2}}^3 \rangle = 6 N, \\
&\langle \tau_{\frac{1}{2}}^3 \tau_{\frac{3}{2}}^3 \rangle = 24 N^2, \quad \langle \tau_0 \tau_{\frac{1}{2}} \tau_1 \tau_{\frac{3}{2}}^3 \rangle = 30 N^2, \quad \langle \tau_1^3 \tau_{\frac{3}{2}}^3 \rangle = 30 N (4 N^2 + 1), \quad \langle \tau_0^2 \tau_{\frac{3}{2}}^4 \rangle = 24 N^2, \quad \langle \tau_{\frac{1}{2}} \tau_1 \tau_{\frac{3}{2}}^4 \rangle = 18 N (4 N^2 + 1), \\
&\langle \tau_0 \tau_{\frac{3}{2}}^5 \rangle = 15 N (4 N^2 + 1), \quad \langle \tau_{\frac{3}{2}}^6 \rangle = 15 N^2 (8 N^2 + 7), \quad \langle \tau_{\frac{1}{2}}^5 \tau_2 \rangle = 8 N, \quad \langle \tau_0^4 \tau_1 \tau_2 \rangle = 3, \quad \langle \tau_0 \tau_{\frac{1}{2}}^3 \tau_1 \tau_2 \rangle = 8 N, \quad \langle \tau_0^2 \tau_{\frac{1}{2}} \tau_1^2 \tau_2 \rangle = 12 N, \\
&\langle \tau_{\frac{1}{2}}^2 \tau_1^3 \tau_2 \rangle = 60 N^2, \quad \langle \tau_0 \tau_1^4 \tau_2 \rangle = 60 N^2 + 5, \quad \langle \tau_0^2 \tau_{\frac{1}{2}}^2 \tau_{\frac{3}{2}}^2 \tau_2 \rangle = 5 N, \quad \langle \tau_0^3 \tau_1 \tau_{\frac{3}{2}} \tau_2 \rangle = 12 N, \quad \langle \tau_{\frac{1}{2}}^3 \tau_1 \tau_{\frac{3}{2}} \tau_2 \rangle = 35 N^2, \\
&\langle \tau_0 \tau_{\frac{1}{2}} \tau_1^2 \tau_{\frac{3}{2}} \tau_2 \rangle = 40 N^2, \quad \langle \tau_1^4 \tau_{\frac{3}{2}} \tau_2 \rangle = 60 N (2 N^2 + 1), \quad \langle \tau_0 \tau_{\frac{1}{2}}^2 \tau_{\frac{3}{2}}^2 \tau_2 \rangle = 22 N^2, \quad \langle \tau_0^2 \tau_1 \tau_{\frac{3}{2}}^2 \tau_2 \rangle = 35 N^2, \quad \langle \tau_{\frac{1}{2}} \tau_1^2 \tau_{\frac{3}{2}}^2 \tau_2 \rangle = 30 N (3 N^2 + 1), \\
&\langle \tau_{\frac{1}{2}}^2 \tau_{\frac{3}{2}}^3 \tau_2 \rangle = N (57 N^2 + 17), \quad \langle \tau_0 \tau_1 \tau_{\frac{3}{2}}^3 \tau_2 \rangle = 6 N (13 N^2 + 4), \quad \langle \tau_1 \tau_{\frac{3}{2}}^4 \tau_2 \rangle = 7 N^2 (21 N^2 + 22), \quad \langle \tau_0^3 \tau_{\frac{1}{2}} \tau_2^2 \rangle = 6 N, \quad \langle \tau_{\frac{1}{2}}^4 \tau_2^2 \rangle = 28 N^2, \\
&\langle \tau_0 \tau_{\frac{1}{2}}^2 \tau_1 \tau_2^2 \rangle = 30 N^2, \quad \langle \tau_0^2 \tau_1^2 \tau_2^2 \rangle = 40 N^2 + \frac{10}{3}, \quad \langle \tau_{\frac{1}{2}} \tau_1^3 \tau_2^2 \rangle = 10 N (12 N^2 + 5), \quad \langle \tau_0^2 \tau_{\frac{1}{2}} \tau_{\frac{3}{2}} \tau_2^2 \rangle = 22 N^2, \\
&\langle \tau_{\frac{1}{2}}^2 \tau_1 \tau_{\frac{3}{2}} \tau_2^2 \rangle = \frac{1}{2} N (156 N^2 + 53), \quad \langle \tau_0 \tau_1^2 \tau_{\frac{3}{2}} \tau_2^2 \rangle = \frac{5}{2} N (36 N^2 + 17), \quad \langle \tau_0 \tau_{\frac{1}{2}} \tau_{\frac{3}{2}}^2 \tau_2^2 \rangle = \frac{1}{6} N (336 N^2 + 113), \quad \langle \tau_1^2 \tau_{\frac{3}{2}}^2 \tau_2^2 \rangle = \frac{7}{2} N^2 (48 N^2 + 65), \\
&\langle \tau_{\frac{1}{2}} \tau_{\frac{3}{2}}^3 \tau_2^2 \rangle = \frac{3}{2} N^2 (76 N^2 + 87), \quad \langle \tau_0^3 \tau_2^3 \rangle = 24 N^2 + 2, \quad \langle \tau_{\frac{1}{2}}^3 \tau_2^3 \rangle = 22 N (3 N^2 + 1), \quad \langle \tau_0 \tau_{\frac{1}{2}} \tau_1 \tau_2^3 \rangle = 6 N (12 N^2 + 5), \\
&\langle \tau_1^3 \tau_2^3 \rangle = 210 N^4 + 315 N^2 + \frac{49}{8}, \quad \langle \tau_0^2 \tau_{\frac{3}{2}} \tau_2^3 \rangle = \frac{3}{4} N (76 N^2 + 35), \quad \langle \tau_{\frac{1}{2}} \tau_1 \tau_{\frac{3}{2}} \tau_2^3 \rangle = 7/4 N^2 (84 N^2 + 109), \quad \langle \tau_0 \tau_{\frac{3}{2}}^2 \tau_2^3 \rangle = 38 N^2 (3 N^2 + 4), \\
&\langle \tau_{\frac{3}{2}}^3 \tau_2^3 \rangle = \frac{1}{4} N (804 N^4 + 2261 N^2 + 467), \quad \langle \tau_{\frac{1}{2}}^2 \tau_2^4 \rangle = 32 N^2 (4 N^2 + 5), \quad \langle \tau_0 \tau_1 \tau_2^4 \rangle = 140 N^4 + 210 N^2 + \frac{49}{12}, \\
&\langle \tau_1 \tau_{\frac{3}{2}} \tau_2^4 \rangle = \frac{1}{6} N (1488 N^4 + 4584 N^2 + 1129), \quad \langle \tau_{\frac{1}{2}} \tau_2^5 \rangle = \frac{5}{12} N (528 N^4 + 1560 N^2 + 361), \quad \langle \tau_2^6 \rangle = 348 N^6 + 1955 N^4 + \frac{6533}{4} N^2 + \frac{1225}{144}.
\end{aligned}$$

## References

- [ABT17] A. Alexandrov, A. Buryak, and R. J. Tessler. Refined open intersection numbers and the Kontsevich–Penner matrix model. *Journal of High Energy Physics*, 2017(3):123, 2017.
- [Ale15a] A. Alexandrov. Open intersection numbers, Kontsevich–Penner model and cut–and–join operators. *Journal of High Energy Physics*, 2015(8):28, 2015.
- [Ale15b] A. Alexandrov. Open intersection numbers, matrix models and MKP hierarchy. *Journal of High Energy Physics*, 2015(3):42, 2015.
- [BC15] M. Bertola and M. Cafasso. Darboux Transformations and Random Point Processes. *International Mathematics Research Notices*, 2015(15):6211, 2015.
- [BC17] M. Bertola and M. Cafasso. The Kontsevich Matrix Integral: Convergence to the Painlevé Hierarchy and Stokes’ Phenomenon. *Communications in Mathematical Physics*, 352(2):585–619, 2017.
- [BDY16] M. Bertola, B. Dubrovin, and D. Yang. Correlation functions of the KdV hierarchy and applications to intersection numbers over  $\overline{\mathcal{M}}_{g,n}$ . *Physica D: Nonlinear Phenomena*, 327:30 – 57, 2016.

- [Ber10] M. Bertola. The dependence on the monodromy data of the isomonodromic tau function. *Communications in Mathematical Physics*, 294(2):539–579, 2010.
- [BH12] E. Brezin and S. Hikami. On an Airy matrix model with a logarithmic potential. *Journal of Physics A: Mathematical and Theoretical*, 45(4):045203, 2012.
- [BH15] E. Brezin and S. Hikami. Random matrix, singularities and open/close intersection numbers. *Journal of Physics A: Mathematical and Theoretical*, 48(47):475201, 2015.
- [BT17] A. Buryak and R. J. Tessler. Matrix models and a proof of the open analog of Wittens conjecture. *Communications in Mathematical Physics*, pages 1–30, 2017.
- [Bur16] A. Buryak. Open intersection numbers and the wave function of the KdV hierarchy. *Moscow Math. J.* 16 2016 no.1, 27. 2016.
- [Inc56] E. L. Ince. *Ordinary Differential Equations*. Dover Books on Mathematics. Dover Publications, 1956.
- [IZ92] C. Itzykson and J. B. Zuber. Combinatorics of the modular group. 2. The Kontsevich integrals. *Int. J. Mod. Phys.*, A7:5661–5705, 1992.
- [JM80] M. Jimbo and T. Miwa. Deformation of linear ordinary differential equations, II. *Proceedings of the Japan Academy, Series A, Mathematical Sciences*, 56(4):149–153, 1980.
- [JMU81] M. Jimbo, T. Miwa, and K. Ueno. Monodromy preserving deformation of linear ordinary differential equations with rational coefficients. I. General theory and  $\tau$ -function. *Physica D: Nonlinear Phenomena*, 2(2):306–352, 1981.
- [KMM<sup>+</sup>92] S. Kharchev, A. Marshakov, A. Mironov, A. Morozov, and A. Zabrodin. Towards unified theory of 2d gravity. *Nuclear Physics B*, 380(1):181 – 240, 1992.
- [Kon92] M. Kontsevich. Intersection theory on the moduli space of curves and the matrix Airy function. *Comm. Math. Phys.*, 147(1):1–23, 1992.
- [KoZo2011] Korotkin, D.; Zograf, P. "Tau function and moduli of differentials". *Math. Res. Lett.* 18 (2011), no. 3, 447–458.
- [Moo90] G. Moore. Geometry of the string equations. *Comm. Math. Phys.*, 133(2):261–304, 1990.
- [Moo91] G. Moore. Matrix models of 2D gravity and isomonodromic deformation *Progress of Theoretical Physics. Supplement*, 102: 255–285 (1991).
- [Olv97] F. Olver. *Asymptotics and Special Functions*. AKP classics. Taylor and Francis, 1997.
- [Pen88] R. C. Penner. Perturbative series and the moduli space of Riemann surfaces. *J. Differential Geom.*, 27(1):35–53, 1988.

- [PST14] R. Pandharipande, J. P. Solomon, and R. J. Tessler. Intersection theory on moduli of disks, open KdV and Virasoro. *arXiv:1409.2191*, 2014.
- [Saf16] B. Safnuk. Combinatorial models for moduli spaces of open Riemann surfaces. *arXiv:1609.07226v2*, 2016.
- [Tes15] R.J. Tessler. The combinatorial formula for open gravitational descendents. *arXiv:1507.04951v3*, 2015.
- [Was02] W. Wasow. *Asymptotic Expansions for Ordinary Differential Equations*. Dover phoenix editions. Dover, 2002.
- [Wit91] E. Witten. Two-dimensional gravity and intersection theory on moduli space. *Surveys Diff. Geom.*, 1:243–310, 1991.